

↙ F 12 ...

↙ K 01 E 03 (1) AGROM
↙ K 01 E 04 (1) DEUTZ

↙ K 14 A 05 (1)

(NS) ↙ A 01 A 15 (1)
↙ A 01 A 29 (1)

↙ C 01 A 07 (1)
↙ A 13 M 01 (1)

M 1100 ↙ A 17 A 08 (1)
M 2000 ↙ A 17 A 33 (1)
↙ A 17 A 20 (1) LCM

(NS) ↙ A 13 A 07 (1)
↙ A 13 A 48 (1)

↙ H R 12 A 01 (1)

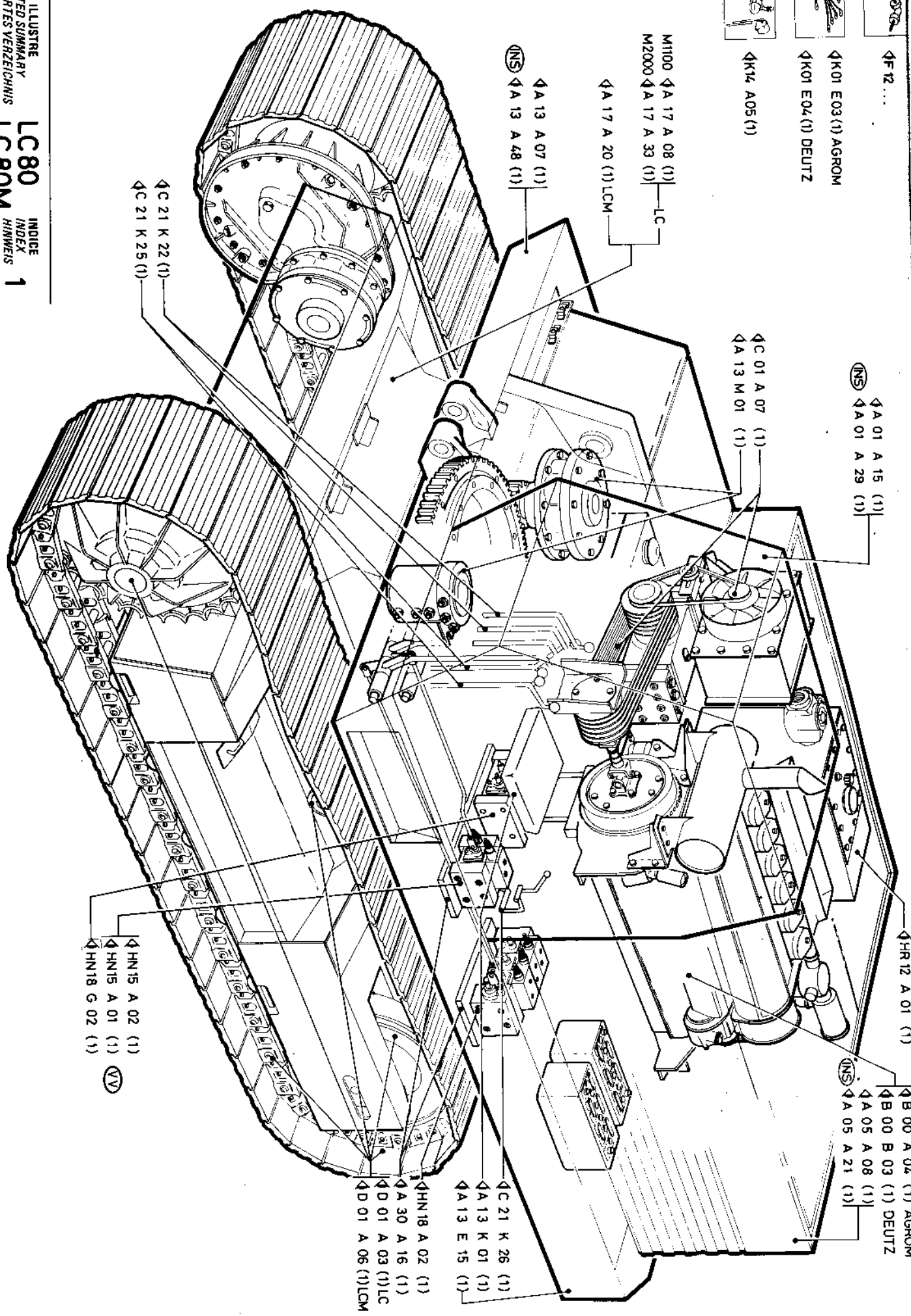
(NS) ↙ B 00 B 20 (1) DEUTZ (NS)
↙ B 00 A 04 (1) AGROM
↙ B 00 B 03 (1) DEUTZ
↙ A 05 A 08 (1)
↙ A 05 A 21 (1)

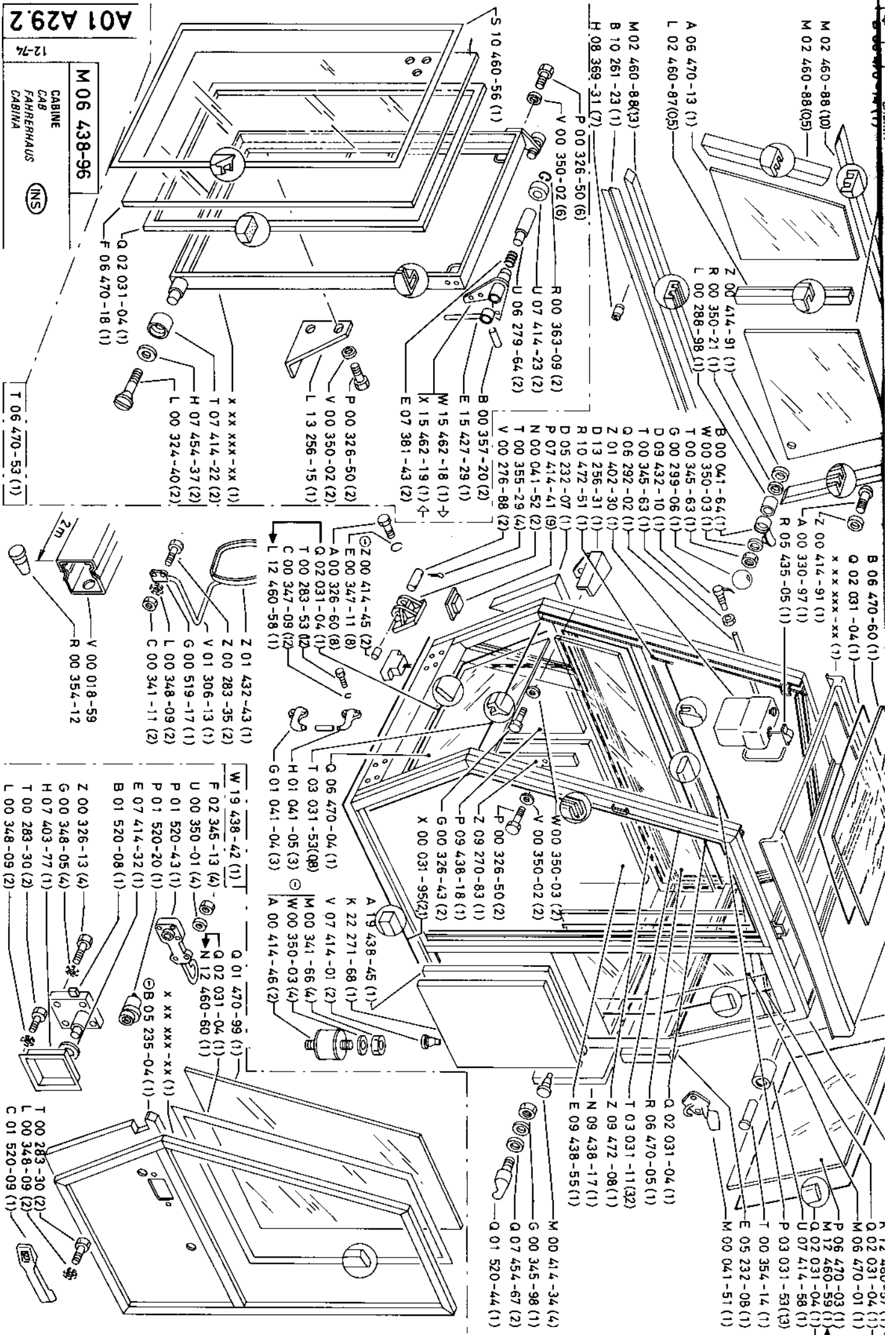
↙ H N 18 A 02 (1)
↙ A 30 A 16 (1)
↙ D 01 A 03 (1) LC
↙ D 01 A 06 (1) LCM

↙ C 21 K 26 (1)
↙ A 13 K 01 (1)
↙ A 13 E 15 (1)

↙ H N 15 A 02 (1)
↙ H N 15 A 01 (1) (V)
↙ H N 18 G 02 (1)

↙ C 21 K 22 (1)
↙ C 21 K 25 (1)





M 02 460-88 (10)
M 02 460-88 (05)

A 06 470-13 (1)
L 02 460-87 (05)

M 02 460-88 (3)
B 10 261-23 (1)
H 08 369-31 (7)

P 00 326-50 (6)
V 00 350-02 (6)
S 10 460-56 (1)

Z 00 414-91 (1)
R 00 350-21 (1)
L 00 288-98 (1)

R 00 363-09 (2)
U 07 414-23 (2)
U 06 279-64 (2)

B 00 357-20 (2)
E 15 427-29 (1)
W 15 462-18 (1) →
X 15 462-19 (1) ←
E 07 381-43 (2)

P 00 326-50 (2)
V 00 350-02 (2)
L 13 256-15 (1)

X XX XXX-XX (1)
T 07 414-22 (2)
H 07 454-37 (2)
L 00 324-40 (2)

Q 02 031-04 (1)
F 06 470-18 (1)

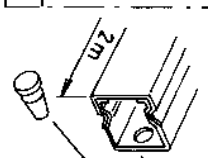
B 06 470-50 (1)
Q 02 031-04 (1)
X XX XXX-XX (1)
Z 00 414-91 (1)
A 00 330-97 (1)
R 05 435-05 (1)

B 00 041-64 (1)
W 00 350-03 (1)
T 00 345-63 (1)
G 00 299-06 (1)
D 09 432-10 (1)
T 00 345-63 (1)
Q 06 292-02 (1)
Z 01 402-30 (1)
D 13 256-31 (1)
R 10 472-51 (1)
D 05 232-07 (1)
P 07 414-41 (9)
N 00 041-52 (2)
T 00 355-29 (4)
V 00 276-88 (2)

Z 00 414-45 (2)
E 00 347-11 (8)
A 00 326-60 (8)
Q 02 031-04 (1)
T 00 283-53 (2)
C 00 347-09 (2)
L 12 460-58 (1)

Z 01 432-43 (1)
Z 00 283-35 (2)
V 01 306-13 (1)
G 00 519-17 (1)
L 00 348-09 (2)
C 00 341-11 (2)

V 00 018-59
R 00 354-12



Q 06 470-04 (1)
T 03 031-53 (08)
H 01 041-05 (3)
G 01 041-04 (3)

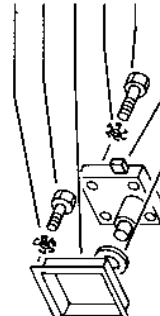
W 00 350-03 (2)
V 00 350-02 (2)
P 00 326-50 (2)
Z 09 270-83 (1)
P 09 438-18 (1)
G 00 326-43 (2)
X 00 031-95 (2)

A 19 438-45 (1)
K 22 271-68 (1)
V 07 414-01 (2)
M 00 341-66 (4)
W 00 350-03 (4)
A 00 414-46 (2)

W 19 438-42 (1)
F 02 345-13 (4)
U 00 350-01 (4)
P 01 520-43 (1)
P 01 520-20 (1)
E 07 414-32 (1)
B 01 520-08 (1)

Q 01 470-99 (1)
Q 02 031-04 (1)
N 12 460-60 (1)
X XX XXX-XX (1)
B 05 235-04 (1)

Z 00 326-13 (4)
G 00 348-05 (4)
H 07 403-77 (1)
T 00 283-30 (2)
L 00 348-09 (2)



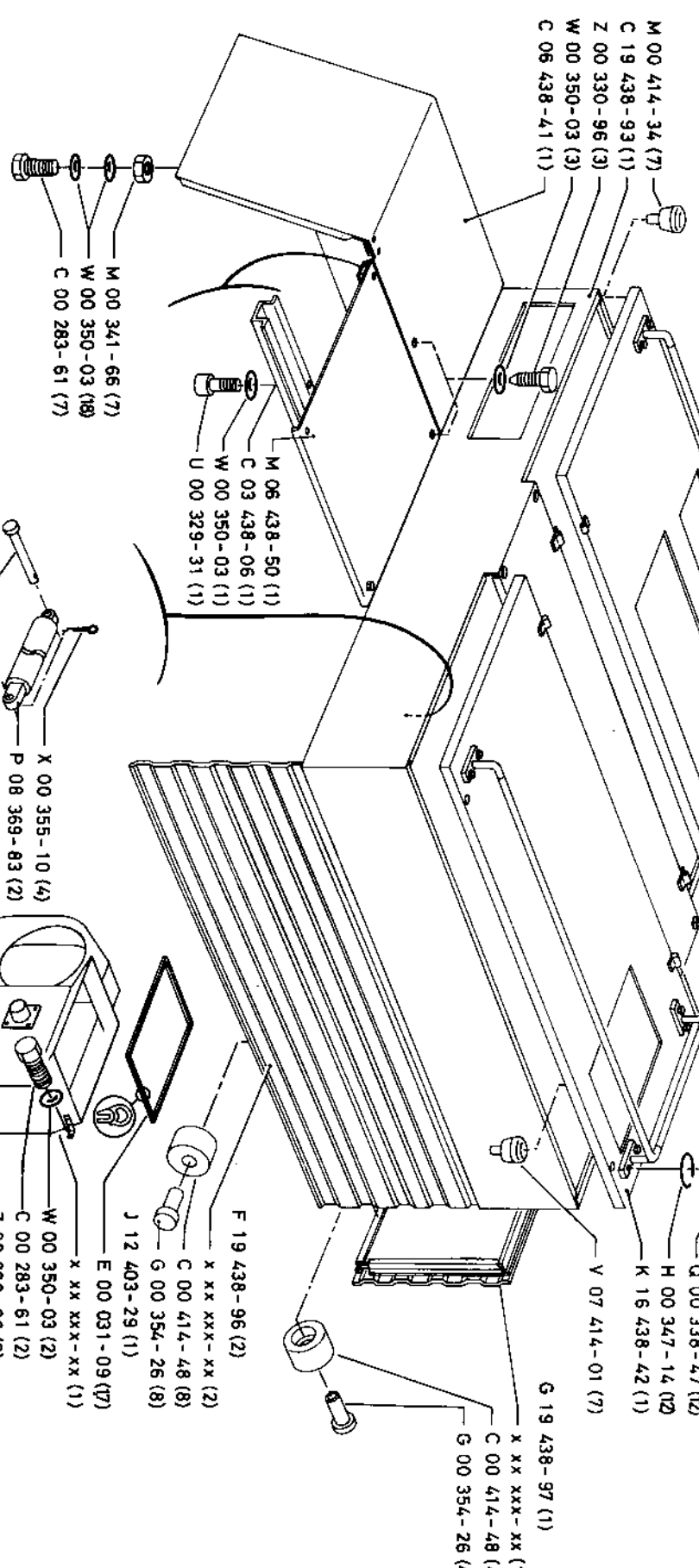
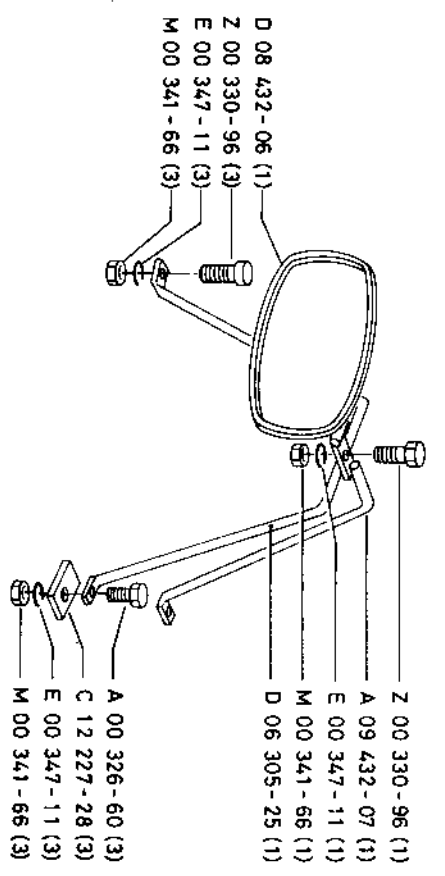
T 00 283-30 (2)
L 00 348-09 (2)
C 01 520-09 (1)

A01 A29.2

12-74
M 06 438-96
CABINE
CAB
FAHRERHAUS
CABINA
INS

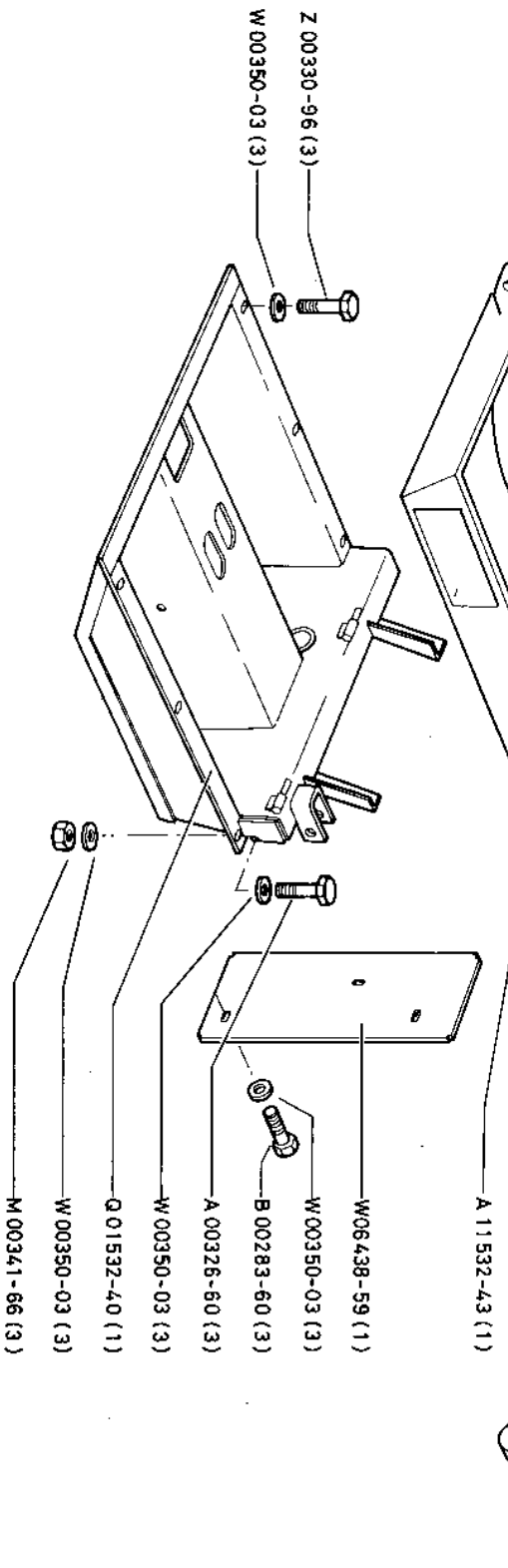
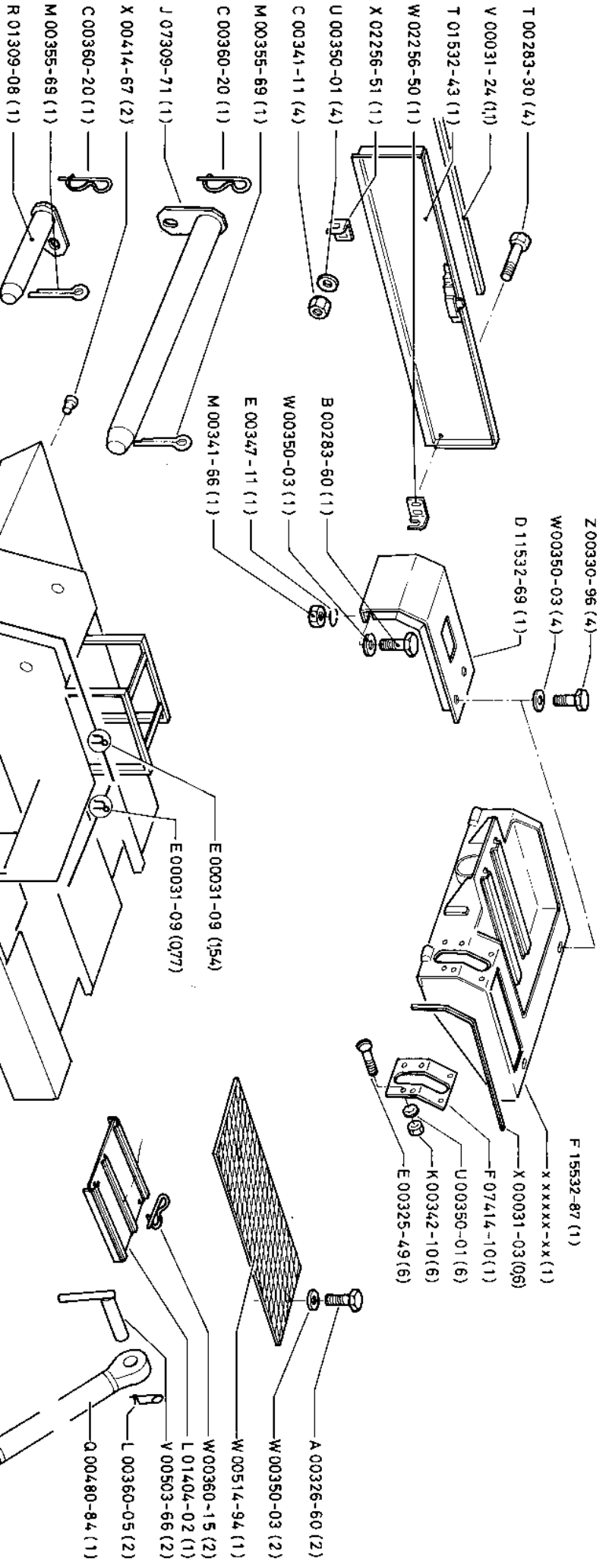
T 06 470-53 (1)

N 12 460-59 (1)
Q 02 031-04 (1)
M 06 470-01 (1)
P 06 470-03 (1)
M 12 460-59 (1)
Q 02 031-04 (1)
U 07 414-58 (1)
P 03 031-53 (3)
T 00 354-14 (1)
E 05 232-08 (1)
M 00 041-51 (1)



A05 A21

X XX XXX - XX
 CAPOTAGE
 COMLING
 VERTEILUNG DEUTZ

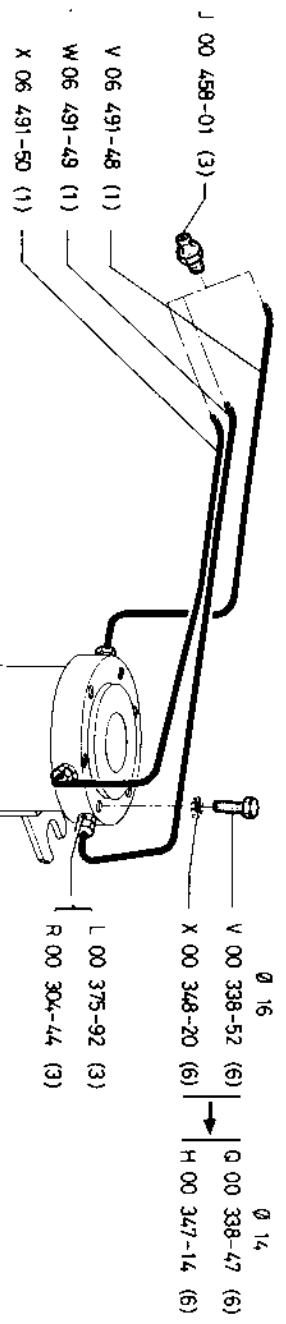


A13 A07.2

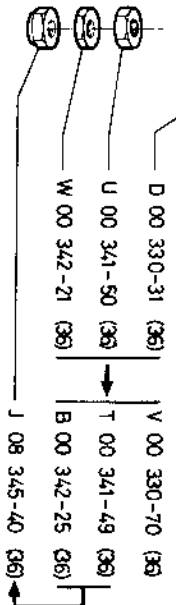
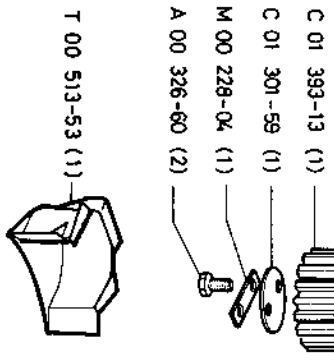
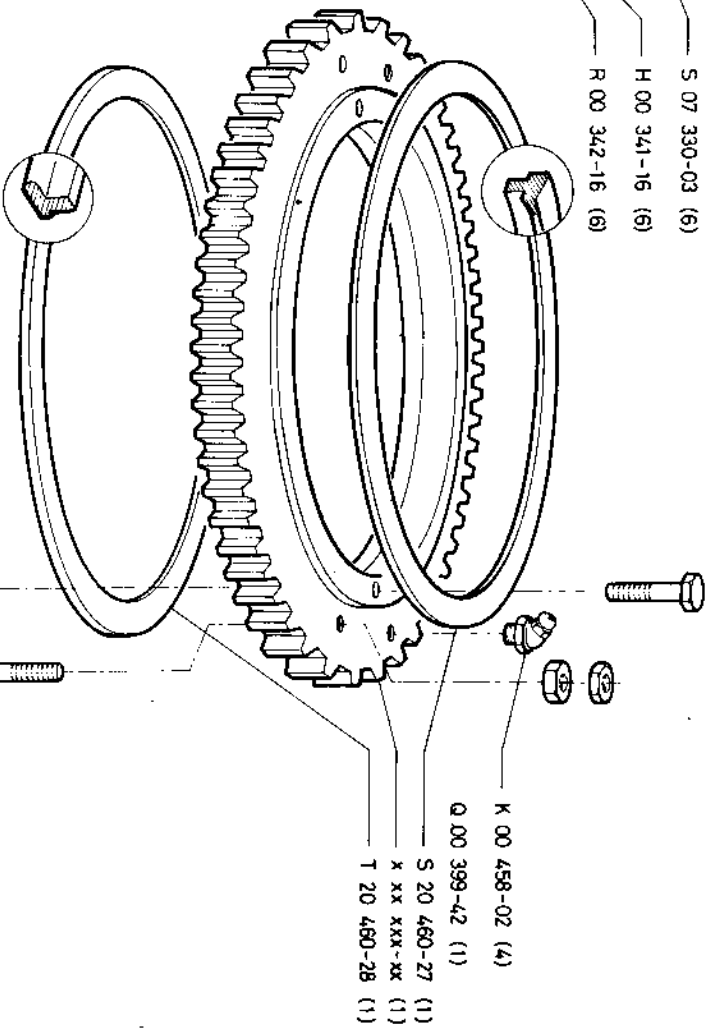
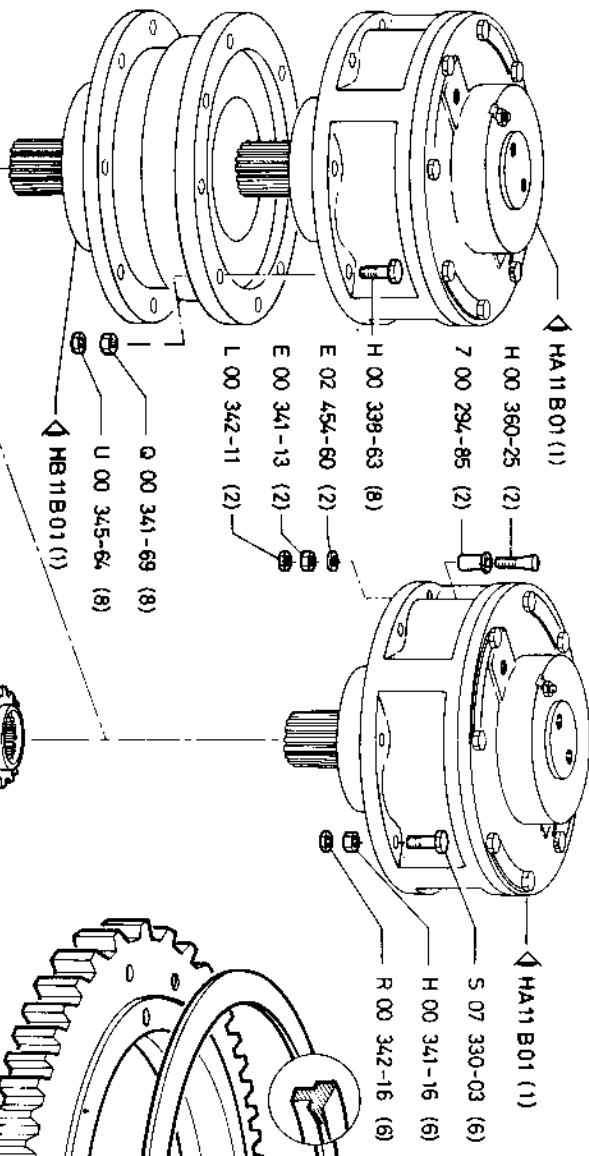
11.74

X XX XXX - XX

CHASSIS TOURELLE
 UPPER STRUCTURE CHASSIS
 RAHMEN OBERWAGEN
 CHASSIS TORRETA



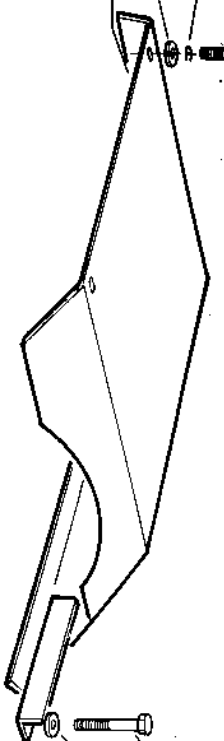
HT06B02(1)
 HT08B04(1) 1100 2CF



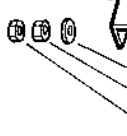
A13 M01.

XXX XXX-XX
 ORGANES DE ROTATION
 UPPER STRUCTURE SWING MOTION MECHANISM

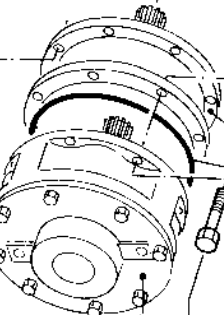
H 00347-14 (2)
 Z 00350-05 (2)
 M 07403-12 (1)



K 00326-92 (2)
 Z 00350-05 (4)
 P 00341-68 (2)
 A 00345-46 (2)



U 00345-64 (16)
 Q 00341-69 (16)

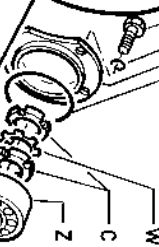


HB11 B01 (2)
 R 00304-67 (2)
 H 00338-63 (16)
 HA11 F01 (2)

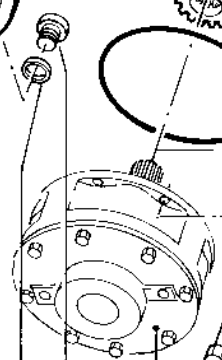
F 00304-34 (2)
 M 13301-24 (2)
 J 00347-15 (8)
 W 00327-03 (8)



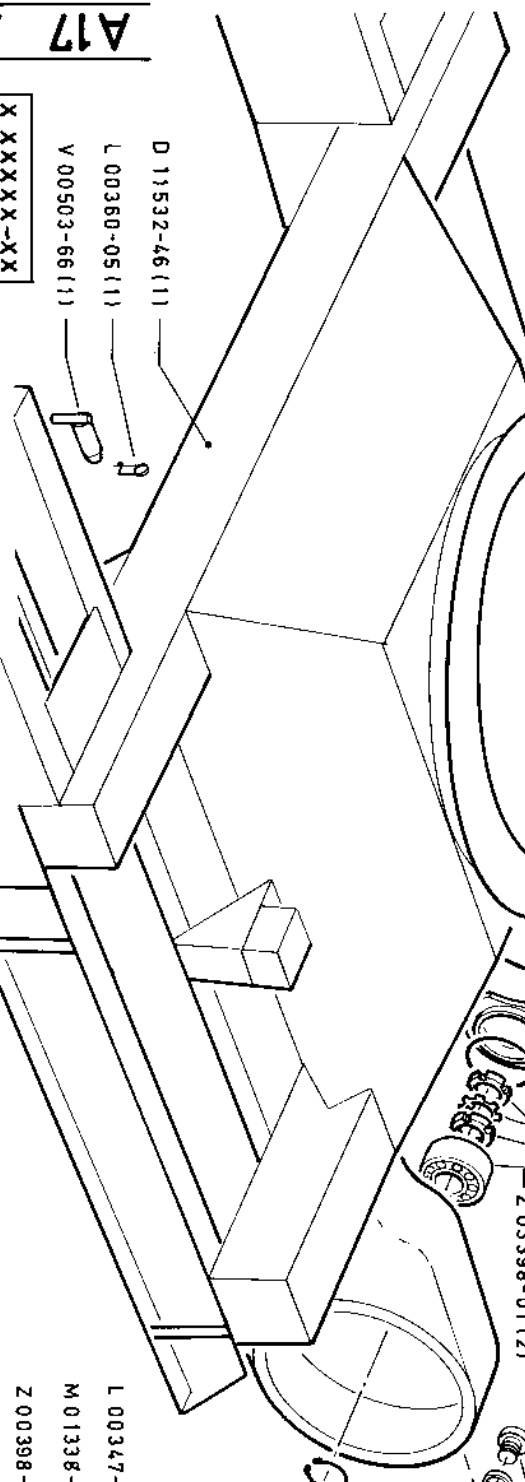
J 00347-15 (16)
 X 00338-54 (16)
 HA11 B01 (2)



R 00374-59 (4)
 G 01460-56 (4)
 E 01363-02 (2)



F 09393-25 (2)
 X 05304-01 (2)
 L 13301-23 (2)
 R 08460-01 (2)



D 11532-46 (1)
 L 00360-05 (1)
 V 00503-66 (1)

X X X X X X - X X

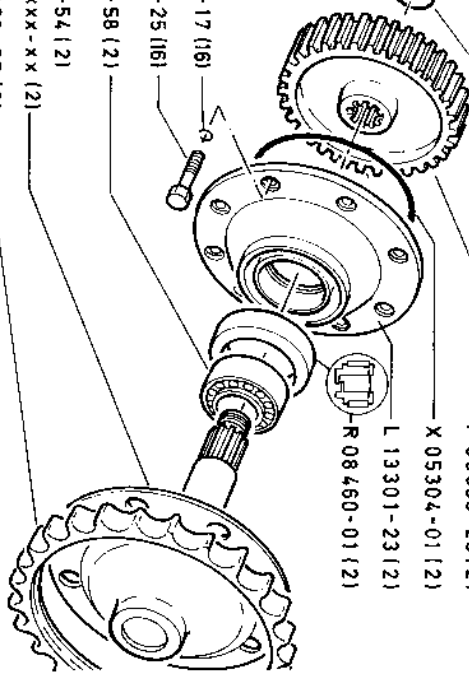
CHASSIS PORTEUR
 UNDERCARRIAGE
 RAHMEN UNTERWAGEN
 CHASSIS PORTADORA

LC M 1100

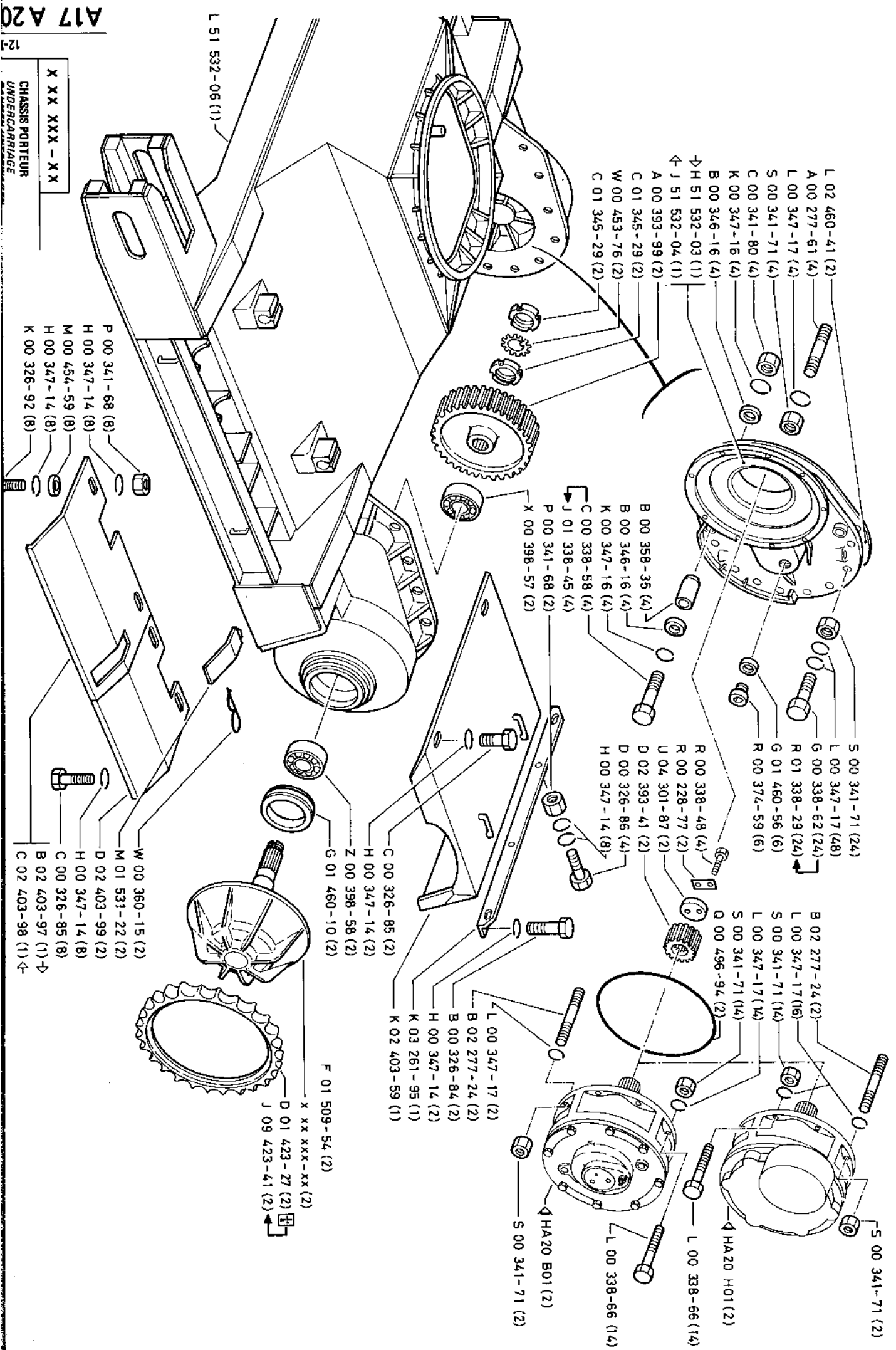
A17 A08.1

12-76

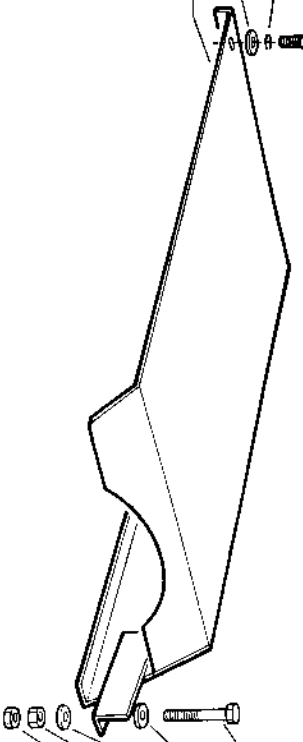
L 00347-17 (16)
 M 01338-25 (16)
 Z 00398-58 (2)
 M 11532-54 (2)
 X X X X X X - X X (2)
 D 01423-27 (2)
 J 09423-41 (2)



X X X X X X - X X
 CHASSIS PORTEUR
 UNDERCARRIAGE



H 00347-14 (2)
 Z 00350-05 (2)
 H 12403-05 (1)

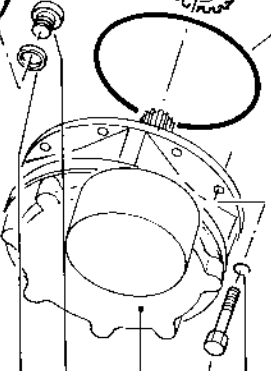


K 00326-92 (2)
 Z 00350-05 (4)
 P 00341-68 (2)
 A 00345-46 (2)

R 00304-67 (2)
 X 00338-54 (24)
 J 00347-15 (24)
 Z 15462-89 (2)
 A 02304-14 (2)

G 02304-20 (2)
 D 02393-41 (2)
 U 04301-87 (2)
 R 00228-77 (2)
 R 00338-48 (4)

W 00453-76 (2)
 C 01345-29 (4)
 Z 03398-01 (2)



L 00347-17 (16)
 K 00338-65 (14) 20x70
 M 01338-25 (2) 20x60
 HA20.H01 (2)

R 00374-59 (4)
 G 01460-56 (4)
 E 01363-02 (2)
 W 09393-63 (2)
 X 05304-01 (2)
 L 13301-23 (2)
 R 08460-01 (2)

D 11532-46 (1)
 L 00360-05 (1)
 V 00503-66 (1)

X X X X X X - X X

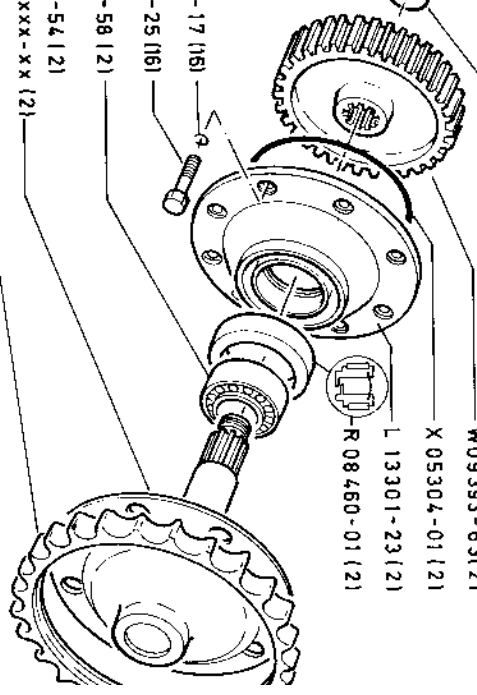
CHASSIS PORTEUR
 UNDERCARRIAGE
 RAHMEN URTERWAGEN
 CHASSIS PORTADORA

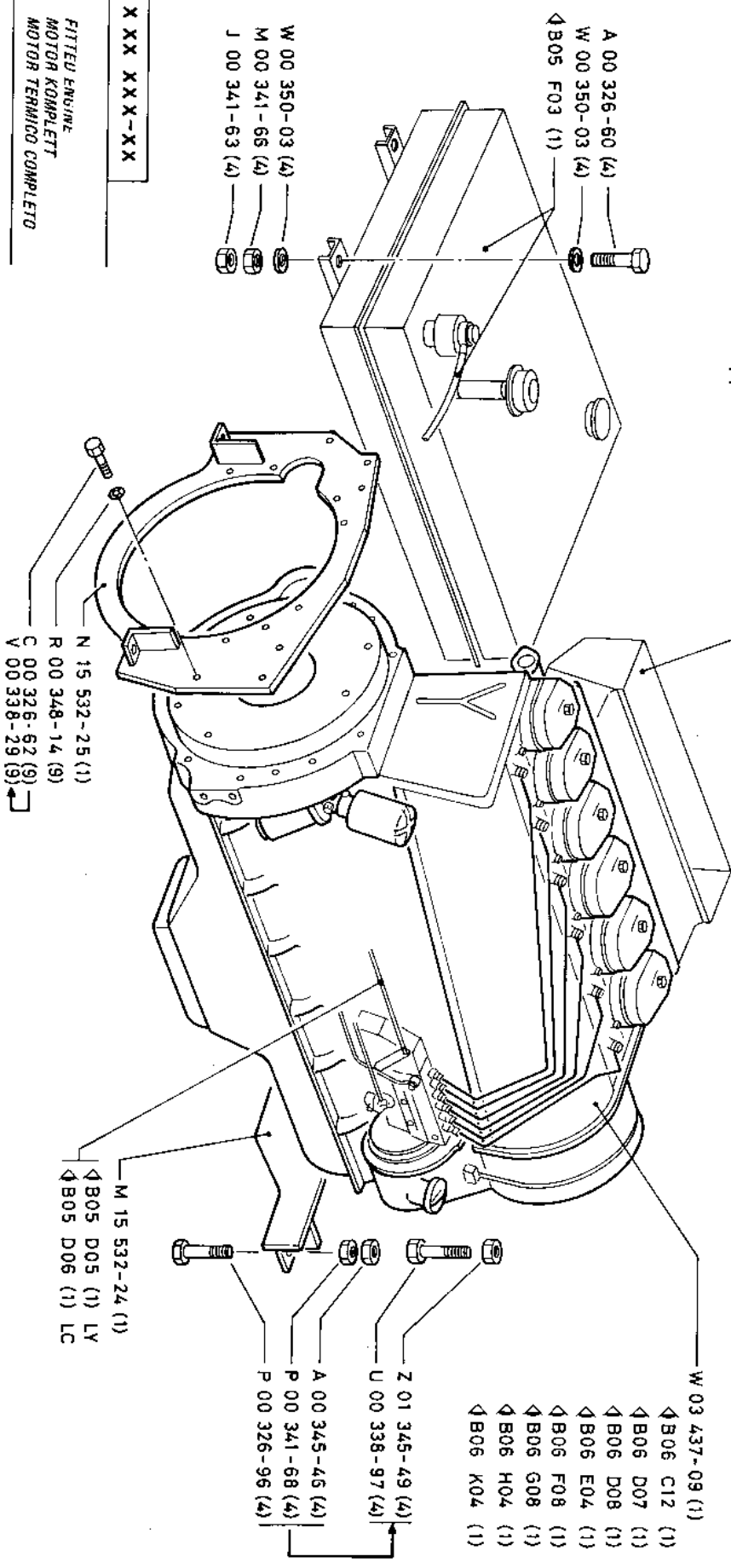
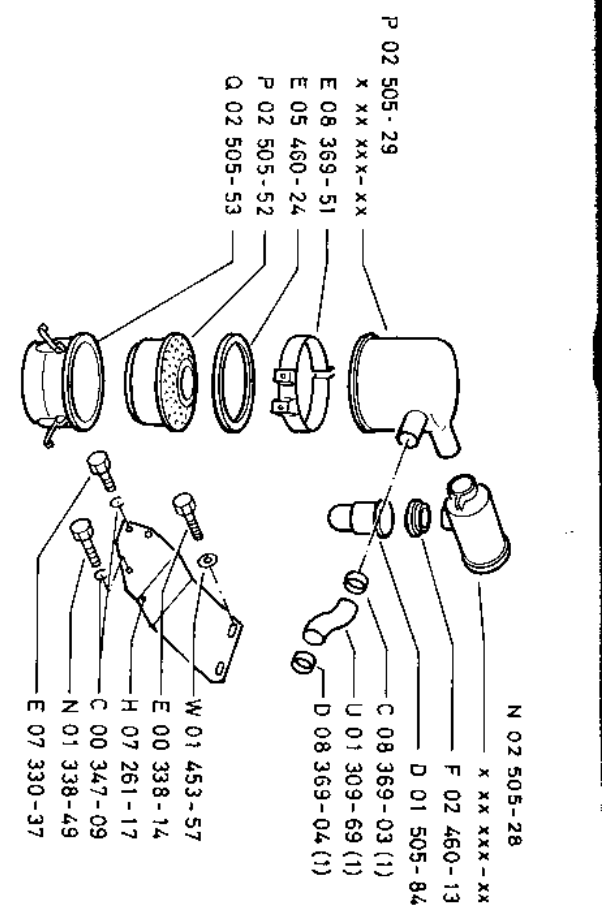
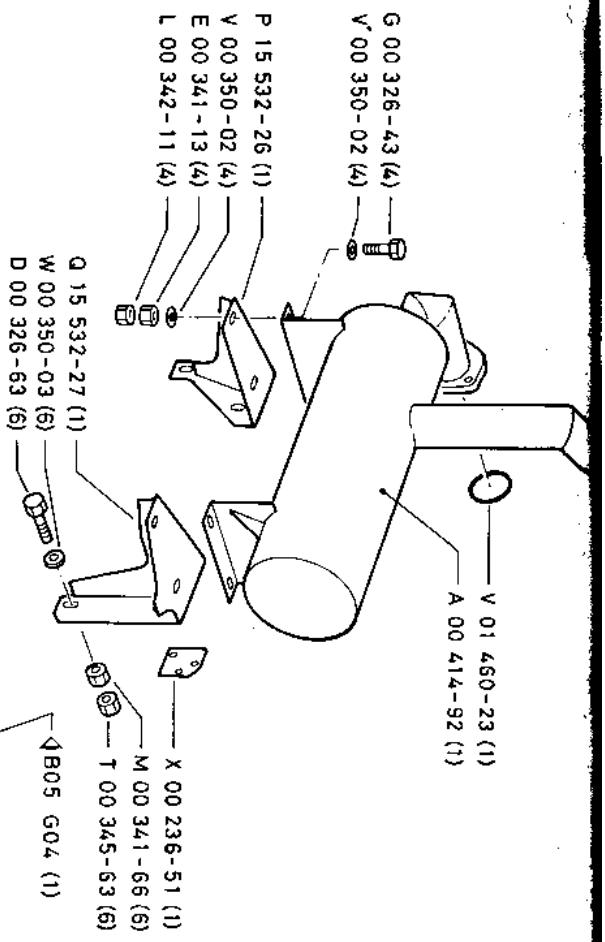
LC M 2000

A17 A33.1

12-76

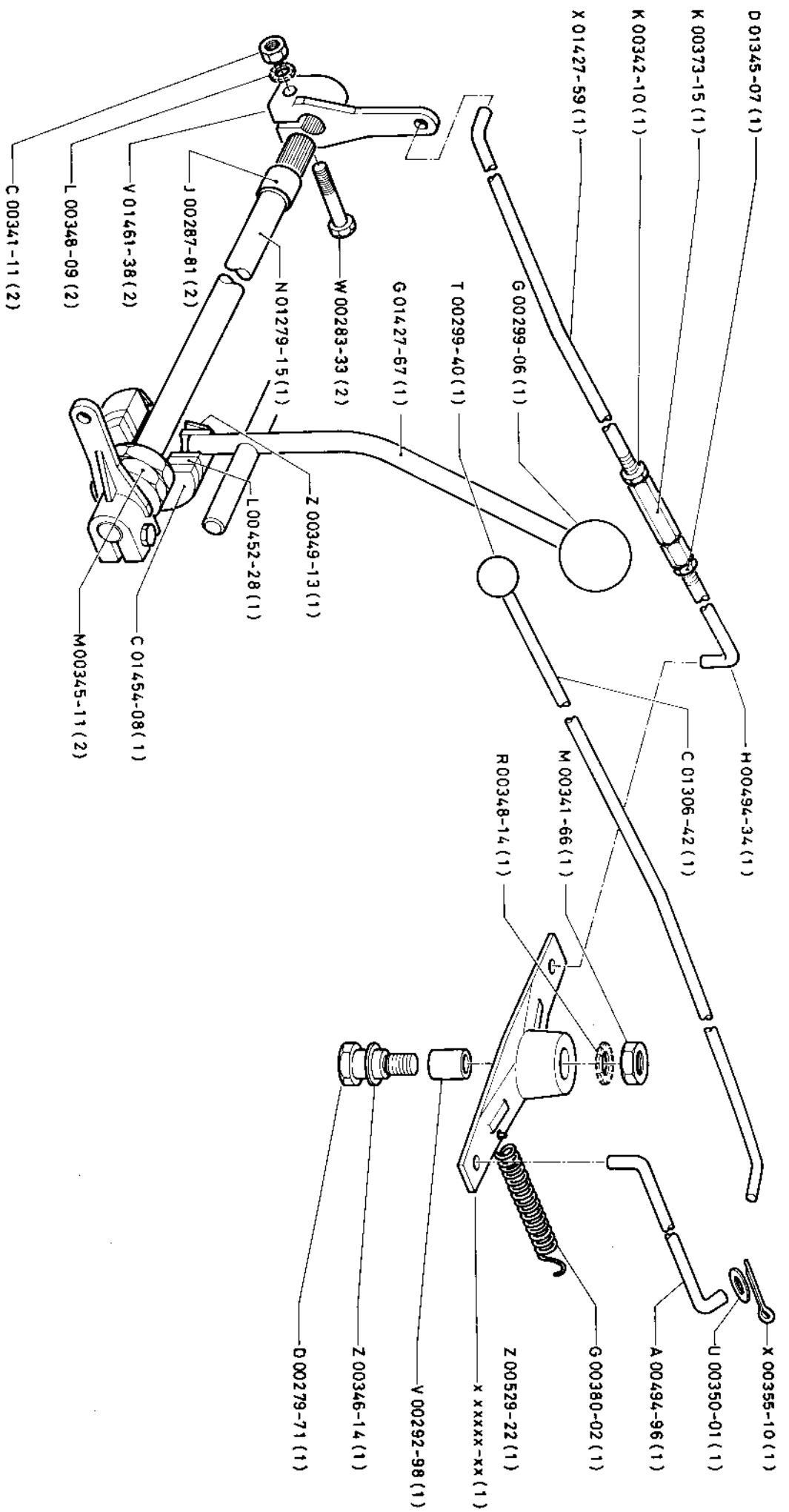
L 00347-17 (16)
 M 01338-25 (16)
 Z 00398-58 (2)
 M 11532-54 (2)
 X X X X X X - X X (2)
 D 01423-27 (2)
 J 09423-41 (2)





X XX XXX-XX

FITTED ENGINE
MOTOR KOMPLETT
MOTOR TECNICO COMPLETO



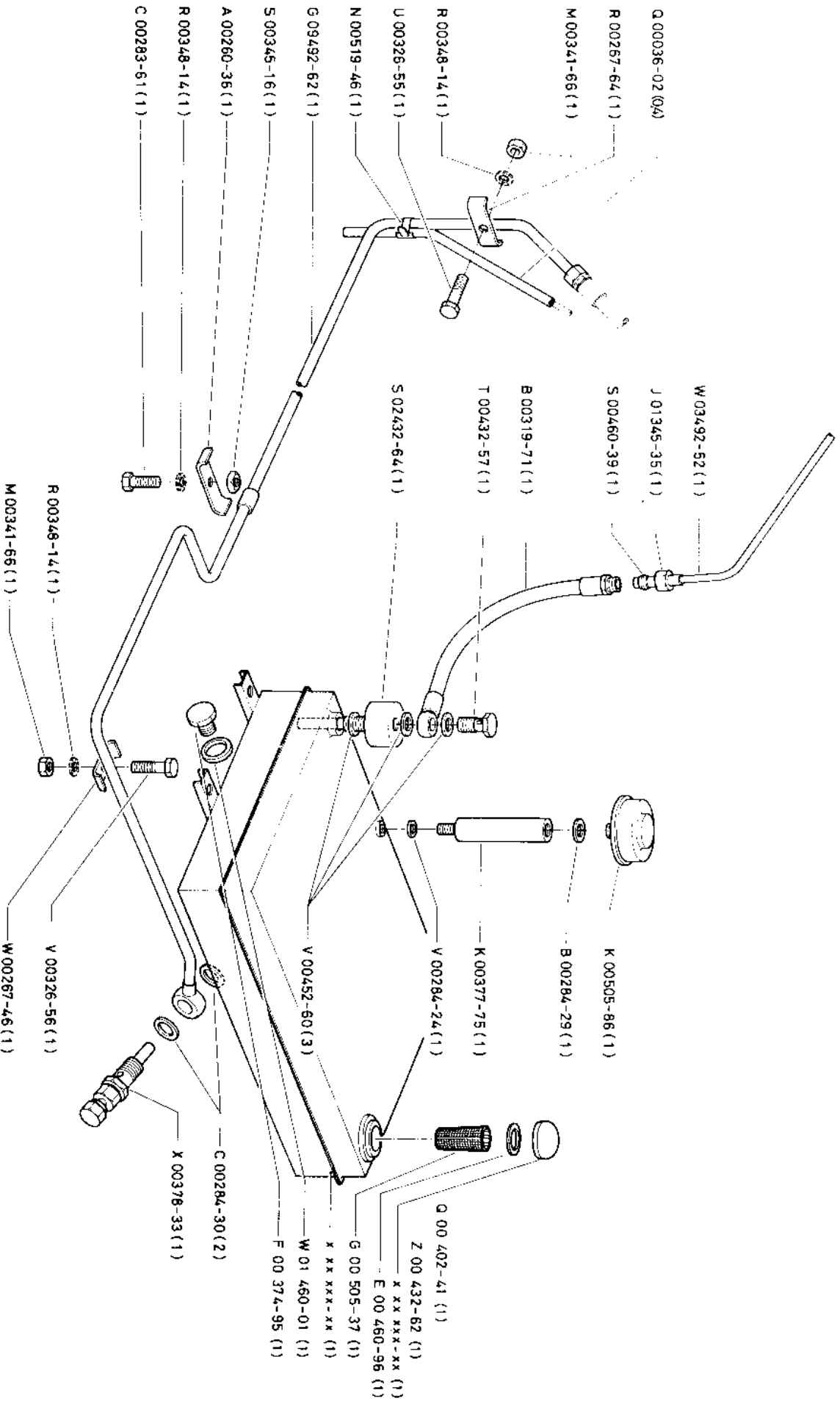
X XX XXX - XX

COMMANDE D ACCELERATION ET D'ARRET DU MOTEUR
 ENGINE THROTTLE AND STOP CONTROL ASSEMBLY
 MOTOR BESCHLEUNIGEN-ABSTELLEN BETÄTIGUNG
 MANDO DE ACELERACION Y PARA DEL MOTOR

DEUTZ

B05 D06.1

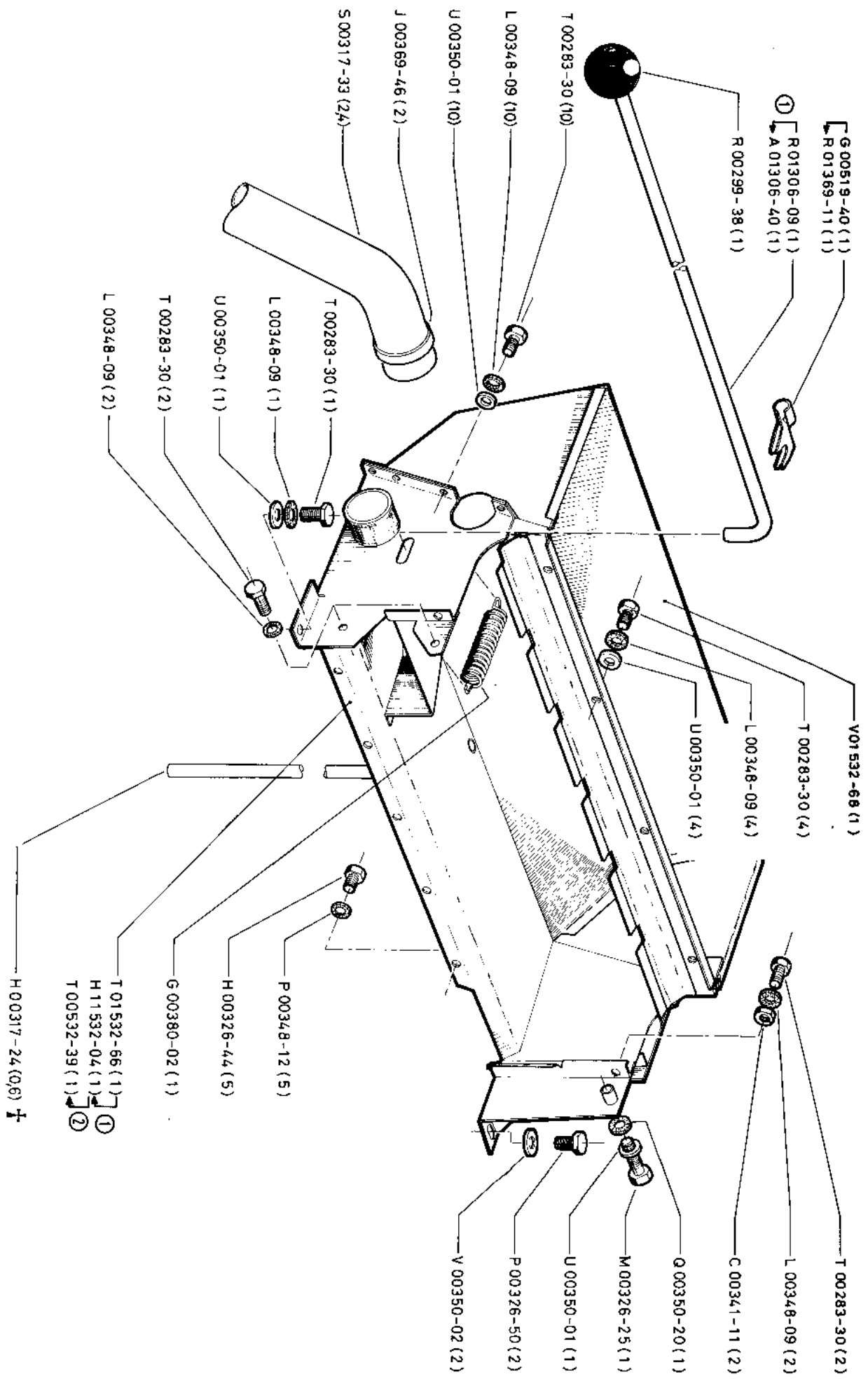
9 73



X X X X X X - X X

CIRCUIT CARBURANT

B05 F0

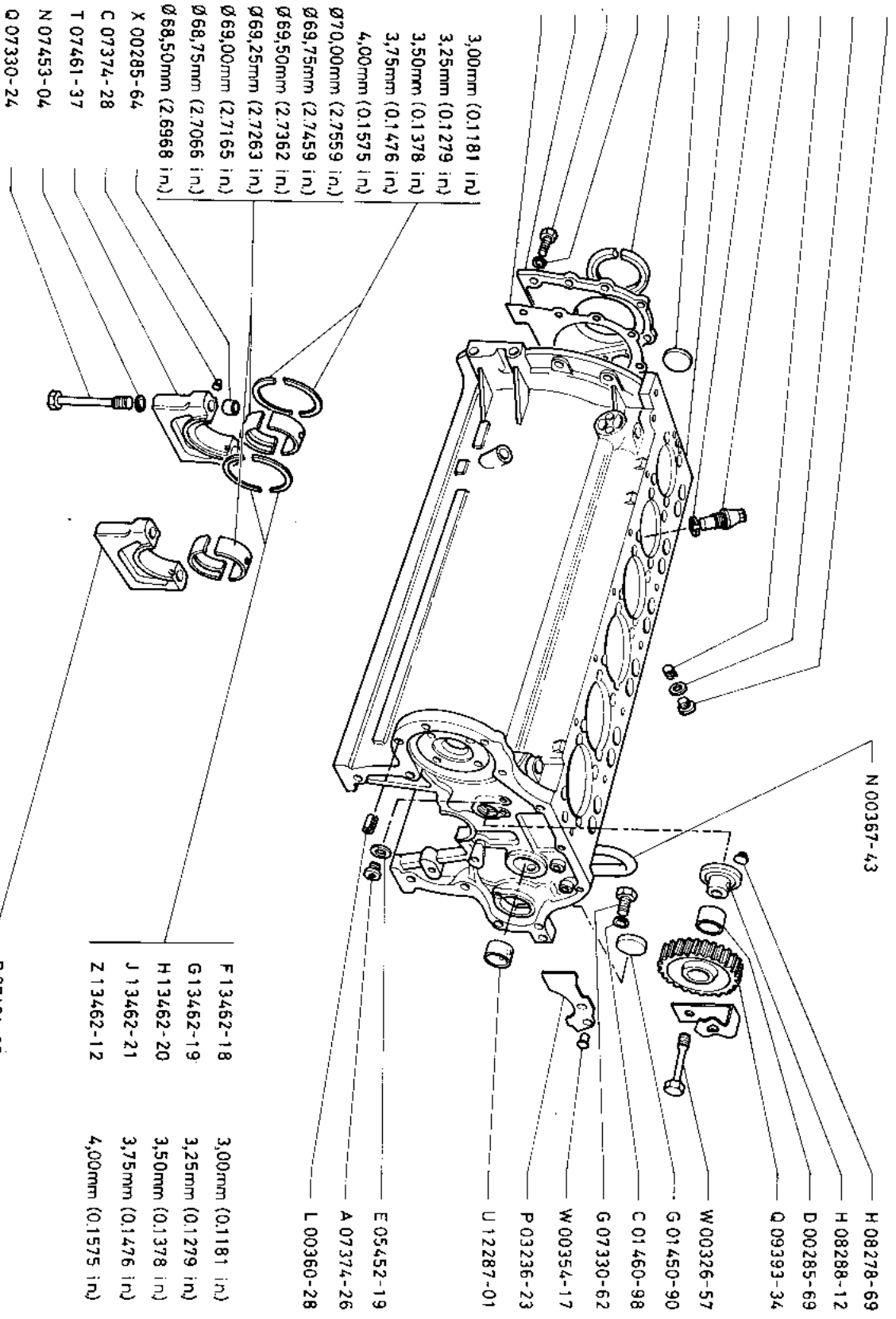


805 G04.0

X xxxx-xx
 CHAUFFAGE
 HEATING SYSTEM
 HEIZUNG
 CALEFAÇION
 DEUTZ

1-74

- Z 07374-25
- F 05452-20
- J 07330-64
- A 08375-22
- C 00347-09
- W 08432-69
- A 06450-12
- T 34460-15
- C 00347-09
- E 00338-14
- S 07461-36
- N 01460-62



- A 13462-13 3,00mm (0.1181 in)
- B 13462-14 3,25mm (0.1279 in)
- C 13462-15 3,50mm (0.1378 in)
- D 13462-16 3,75mm (0.1476 in)
- E 13462-17 4,00mm (0.1575 in)
- S 05286-25 Ø70,00mm (2.7559 in)
- F 05286-14 Ø69,75mm (2.7459 in)
- T 05286-26 Ø69,50mm (2.7362 in)
- U 05286-27 Ø69,25mm (2.7263 in)
- V 05286-28 Ø69,00mm (2.7165 in)
- W 05286-29 Ø68,75mm (2.7066 in)
- X 05286-30 Ø68,50mm (2.6968 in)

- F 13462-18 3,00mm (0.1181 in)
- G 13462-19 3,25mm (0.1279 in)
- H 13462-20 3,50mm (0.1378 in)
- J 13462-21 3,75mm (0.1476 in)
- Z 13462-12 4,00mm (0.1575 in)

- X 00285-64
- C 07374-28
- T 07461-37
- N 07453-04
- Q 07330-24

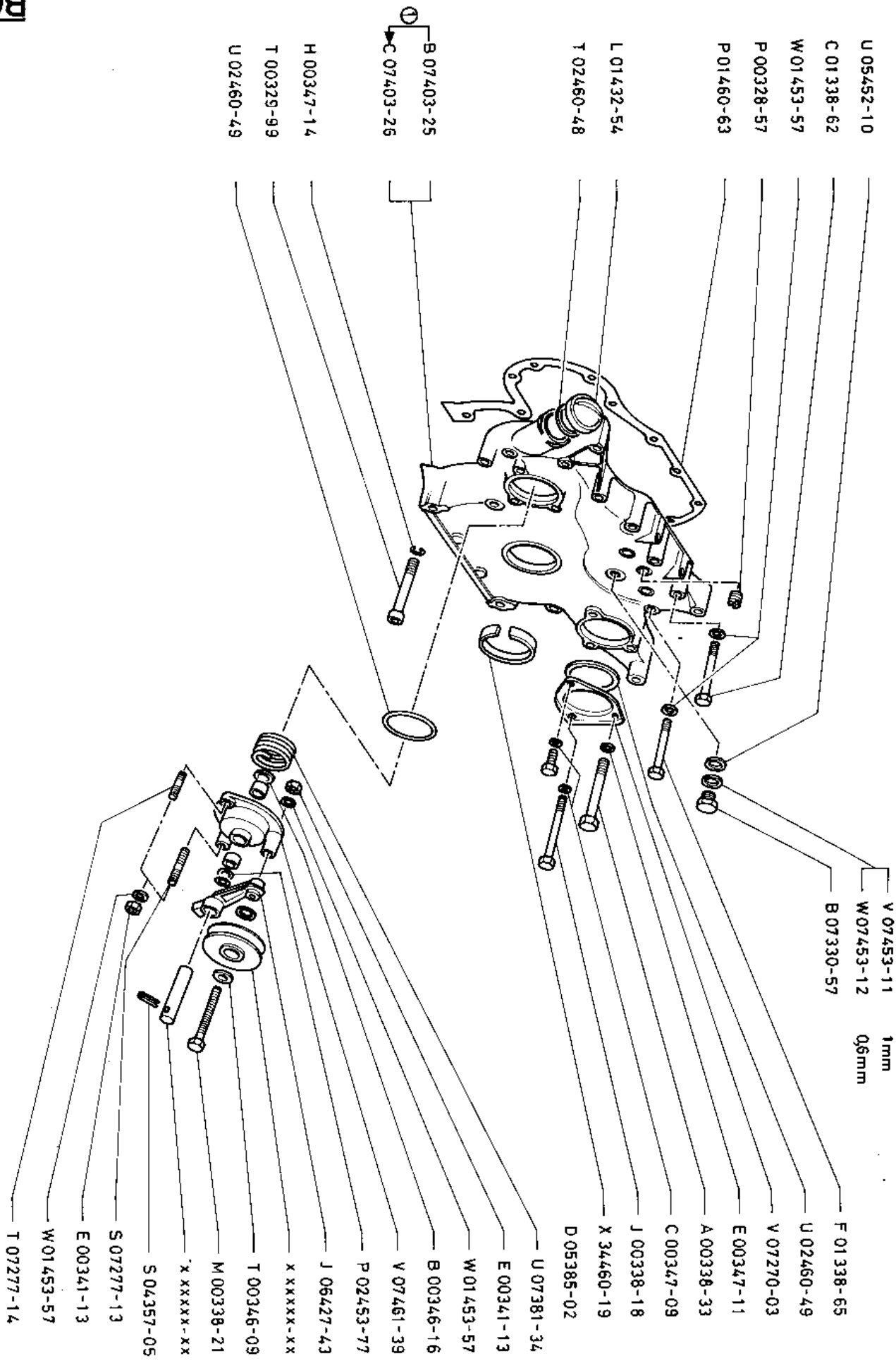
R 07461-35

X XXXXX-XX

CARTER DE MANIVELLE

B06 C130

1-76
 * XXXXX-XX
 CARTER DE MANIVELLE
 CRANKCASE
 KURBELGEHAEUSE
 CARTER



U 05452-10

C 01338-62

W 01453-57

P 00328-57

P 01460-63

L 01432-54

T 02460-48

B 07403-25

C 07403-26

H 00347-14

T 00329-99

U 02460-49

V 07453-11 1mm
 W 07453-12 0.6mm

B 07330-57

F 01338-65

U 02460-49

V 07270-03

E 00347-11

A 00338-33

C 00347-09

J 00338-18

X 34460-19

D 05385-02

U 07381-34

E 00341-13

W 01453-57

B 00346-16

V 07461-39

P 02453-77

J 06427-43

X XXXXX-XX

T 00346-09

M 00338-21

X XXXXX-XX

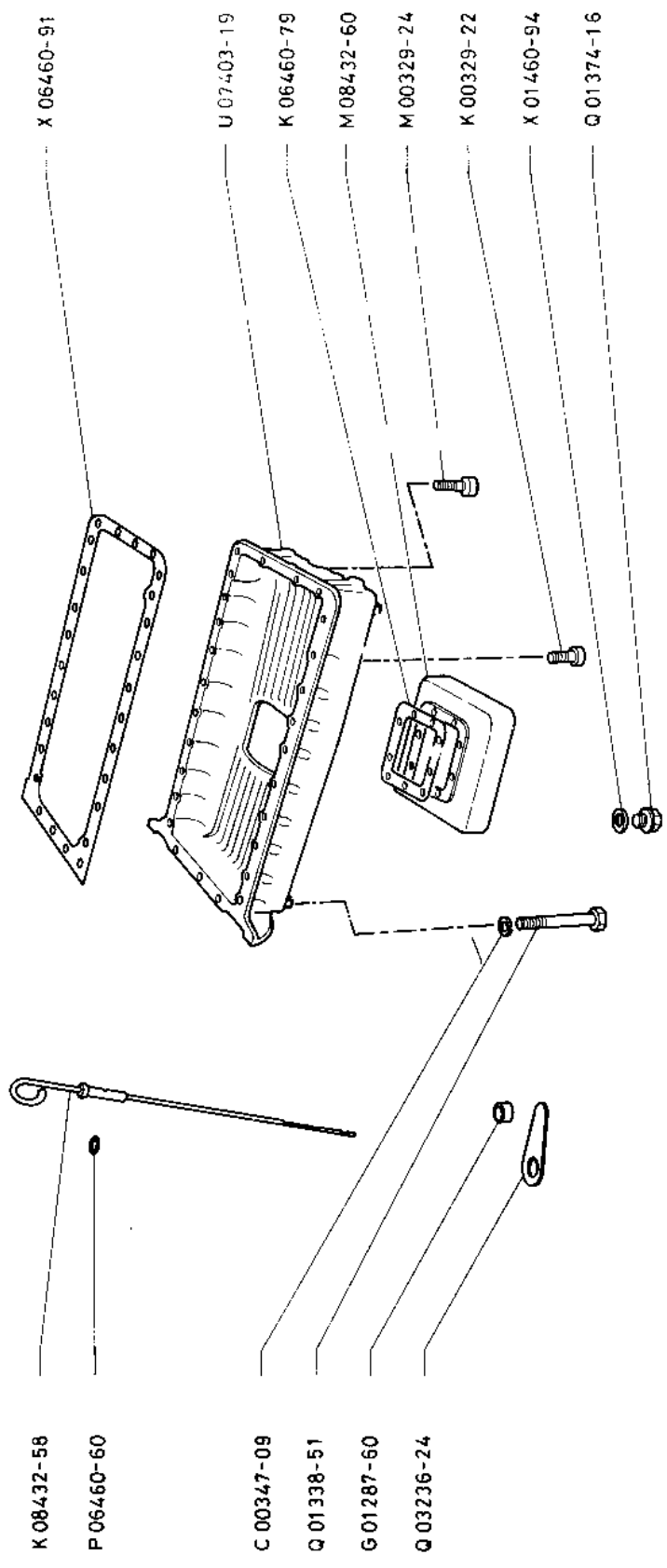
S 04357-05

S 07277-13

E 00341-13

W 01453-57

T 07277-14



K 08432-58

P 06460-60

C 00347-09

Q 01338-51

G 01287-60

Q 03236-24

X 06460-91

U 07403-19

K 06460-79

M 08432-60

M 00329-24

K 00329-22

X 01460-94

Q 01374-16

X XXXXX-XX

CARTER INFERIEUR
OIL SUMP

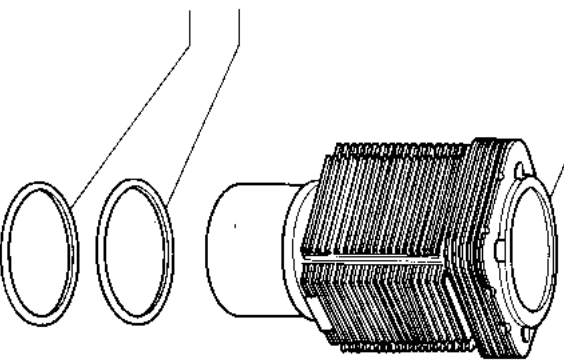
T 06292-28
R 06292-26
S 06292-27

Ø15,00mm (0.5906in.)
Ø15,25mm (0.6004in.)
Ø15,50mm (0.6102in.)

⊖ M 00341-66
V 00346-11
U 07270-02

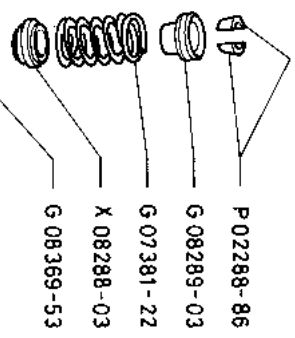
X 00280-81
W 04273-60
Q 08432-40
⊖ P 08432-39

⊖ M 07453-03
W 01304-76

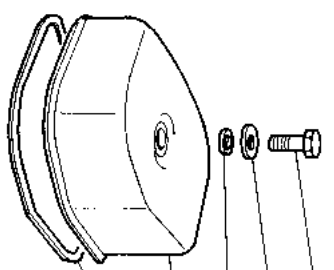


V 07454-03
W 07454-04
A 07454-07
B 07454-08

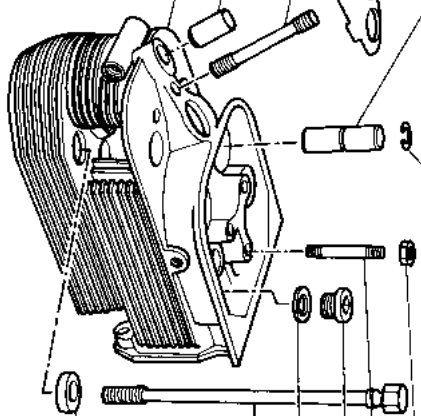
Ø45,66mm (1.7976in.)
Ø45,76mm (1.8016in.)
Ø45,86mm (1.8055in.)
Ø45,96mm (1.8094in.)



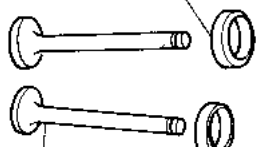
P 02288-86
G 08289-03
G 07381-22
X 08288-03
G 08369-53



H 00338-17
W 01453-57
V 02460-50
U 01404-79
P 00496-70



E 00341-13
E 07277-01
B 07374-27
V 05452-11
G 07277-03
F 07454-12



X 07454-05
Z 07454-06
C 07454-09
D 07454-10

Ø40,16mm (1.5811in.)
Ø40,26mm (1.5850in.)
Ø40,36mm (1.5890in.)
Ø40,46mm (1.5929in.)

V 08278-35

R08432-41

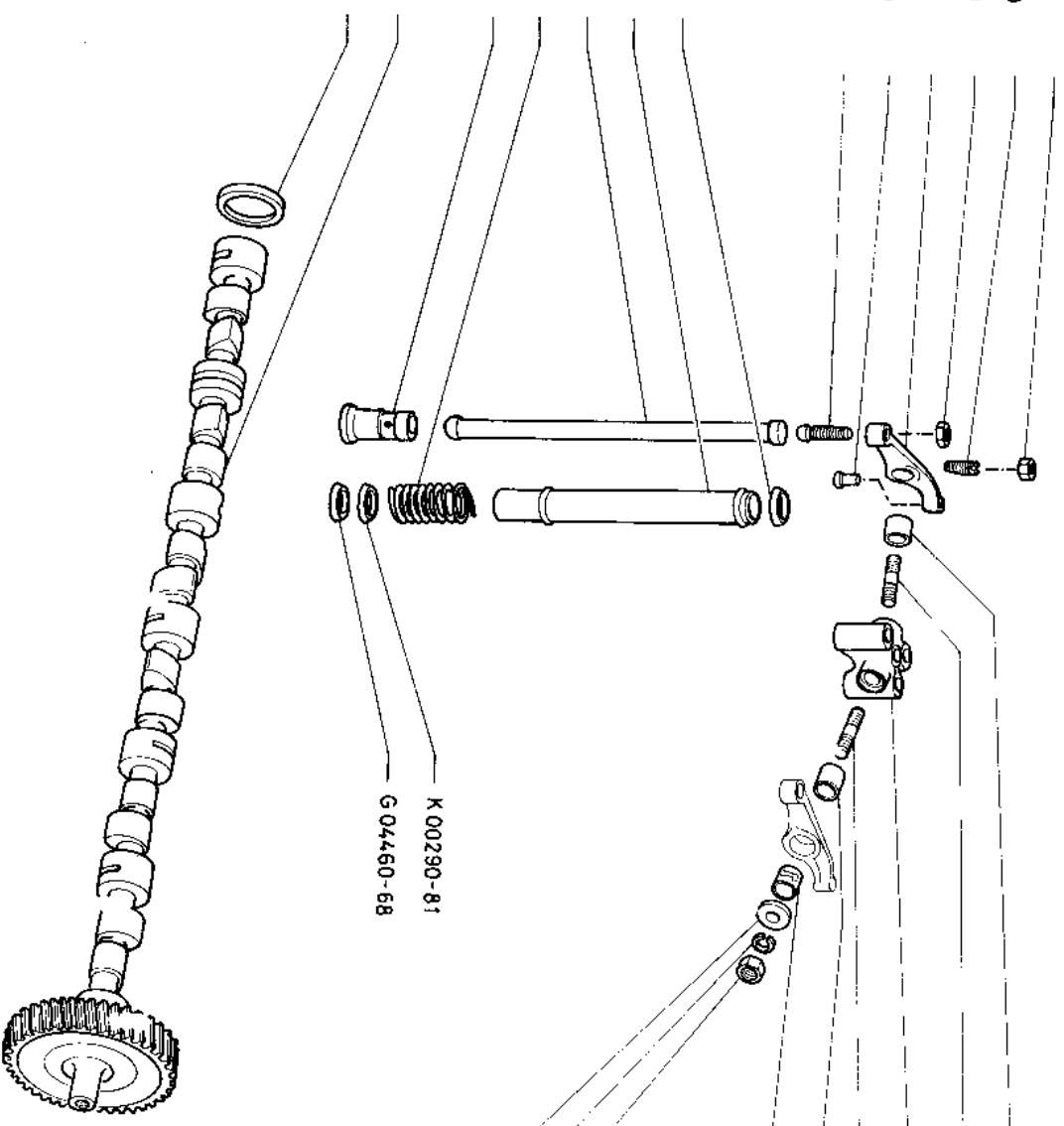
CYLINDRE
CYLINDER
CYLINDER
CILINDRO

R06D0701
1-74

M08432-37
 C 00341-11
 W 13462-10
 J 00342-09
 X XXXXX-XX
 D 07330-59
 N 07330-45

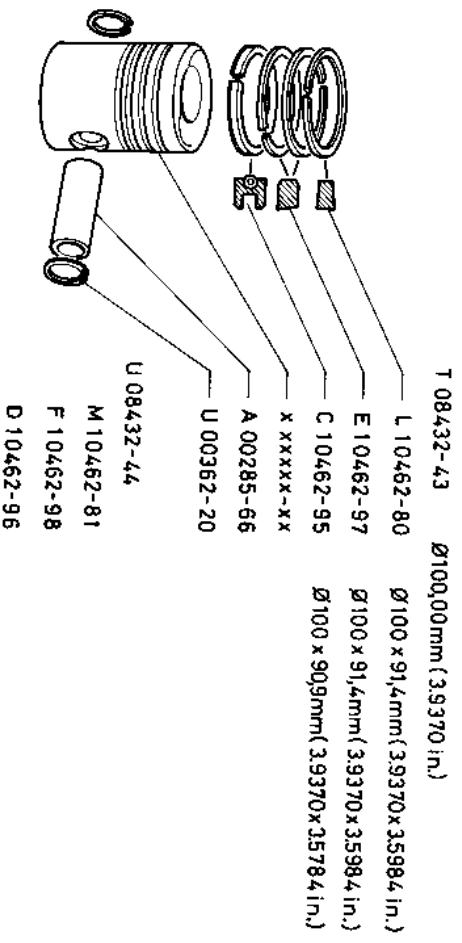
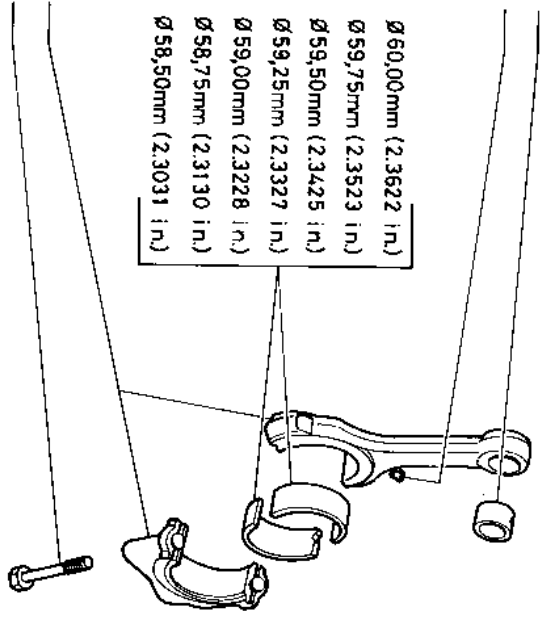
G 04460-68
 T 05294-08
 P 04298-37
 T 07381-33
 P 05294-04
 G 08278-68
 B 12287-07

D 12287 09
 T 02277-86
 D 13462-39
 T 02277-86
 D 12287-09
 C 12287-08
 K 00290-81
 G 04460-68
 M 00341-66
 E 00347-11
 V 00346-11



V 12287-02
E 07330-60

M 05286-43 Ø60,00mm (2.3622 in.)
G 05286-15 Ø59,75mm (2.3523 in.)
G 05286-38 Ø59,50mm (2.3425 in.)
H 05286-39 Ø59,25mm (2.3327 in.)
J 05286-40 Ø59,00mm (2.3228 in.)
K 05286-41 Ø58,75mm (2.3130 in.)
L 05286-42 Ø58,50mm (2.3031 in.)

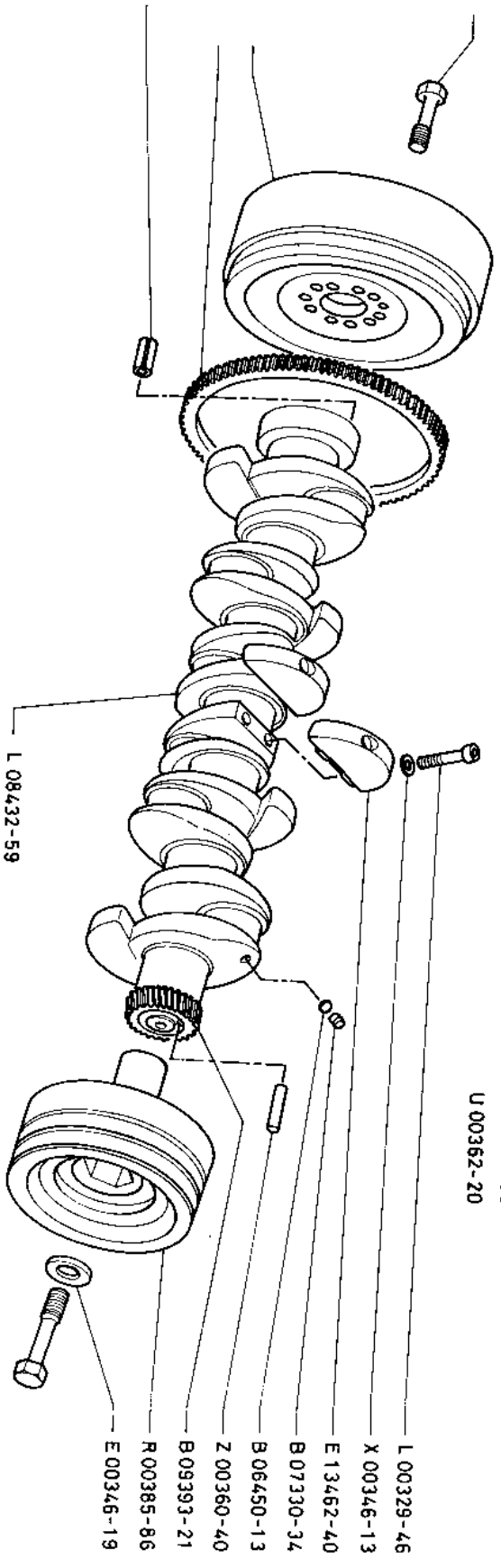


N 08432-38
S 07330-26

T 07330-27

C 13462-38
X xxxxx-xx
G 09393-26

T 04357-06



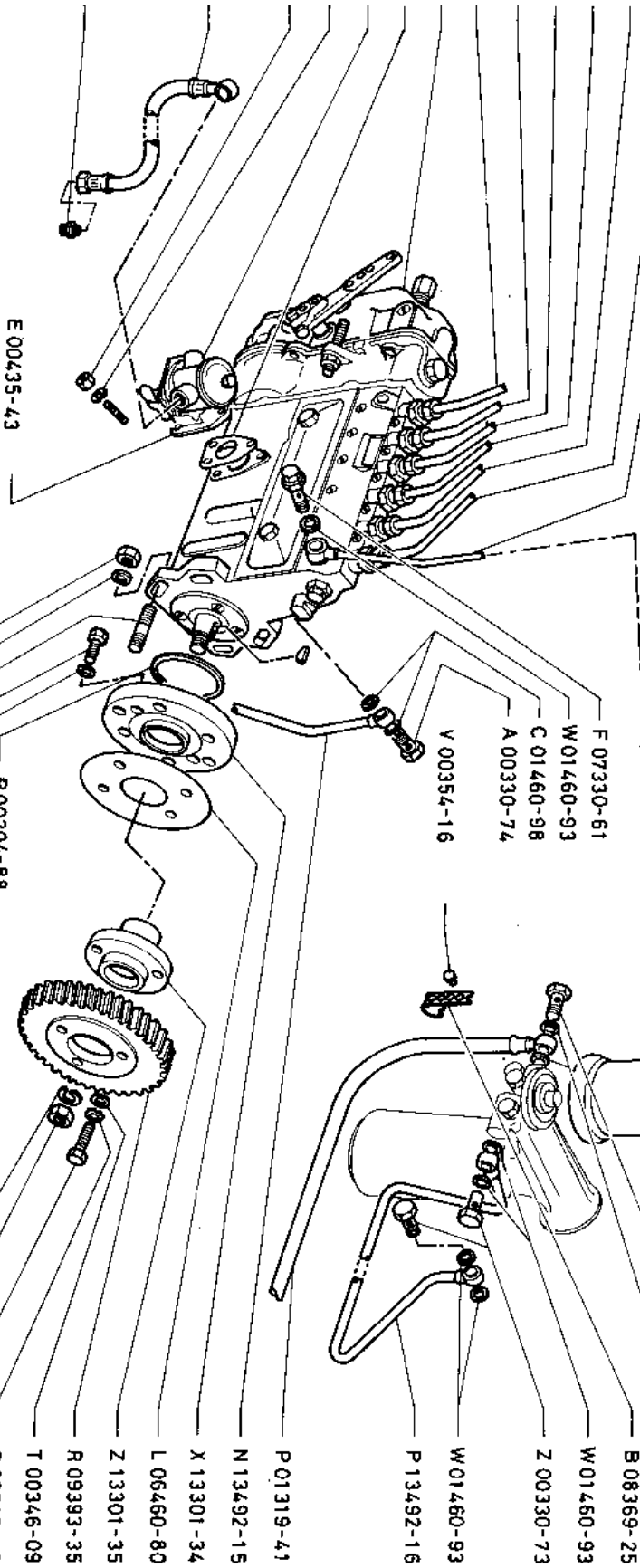
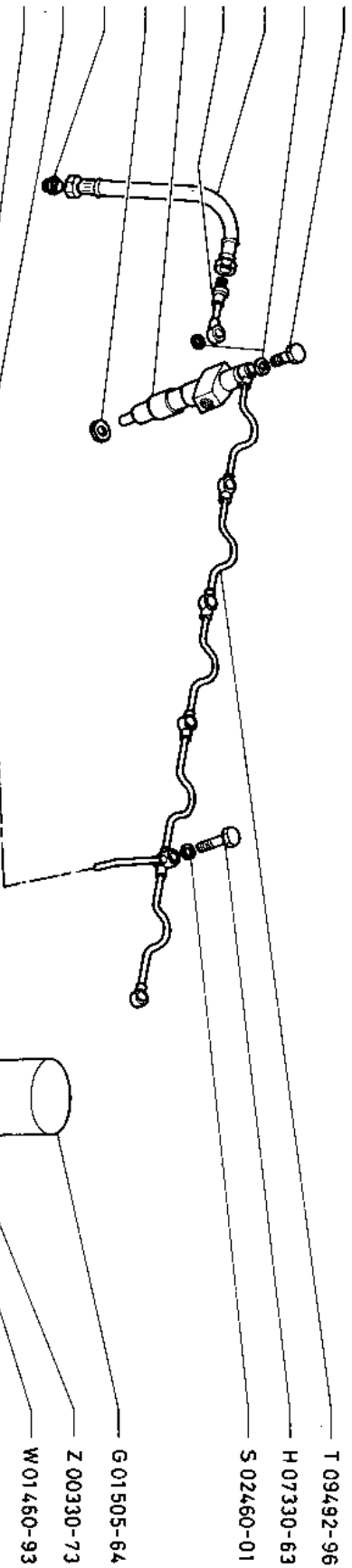
B06 E04.0

1-74

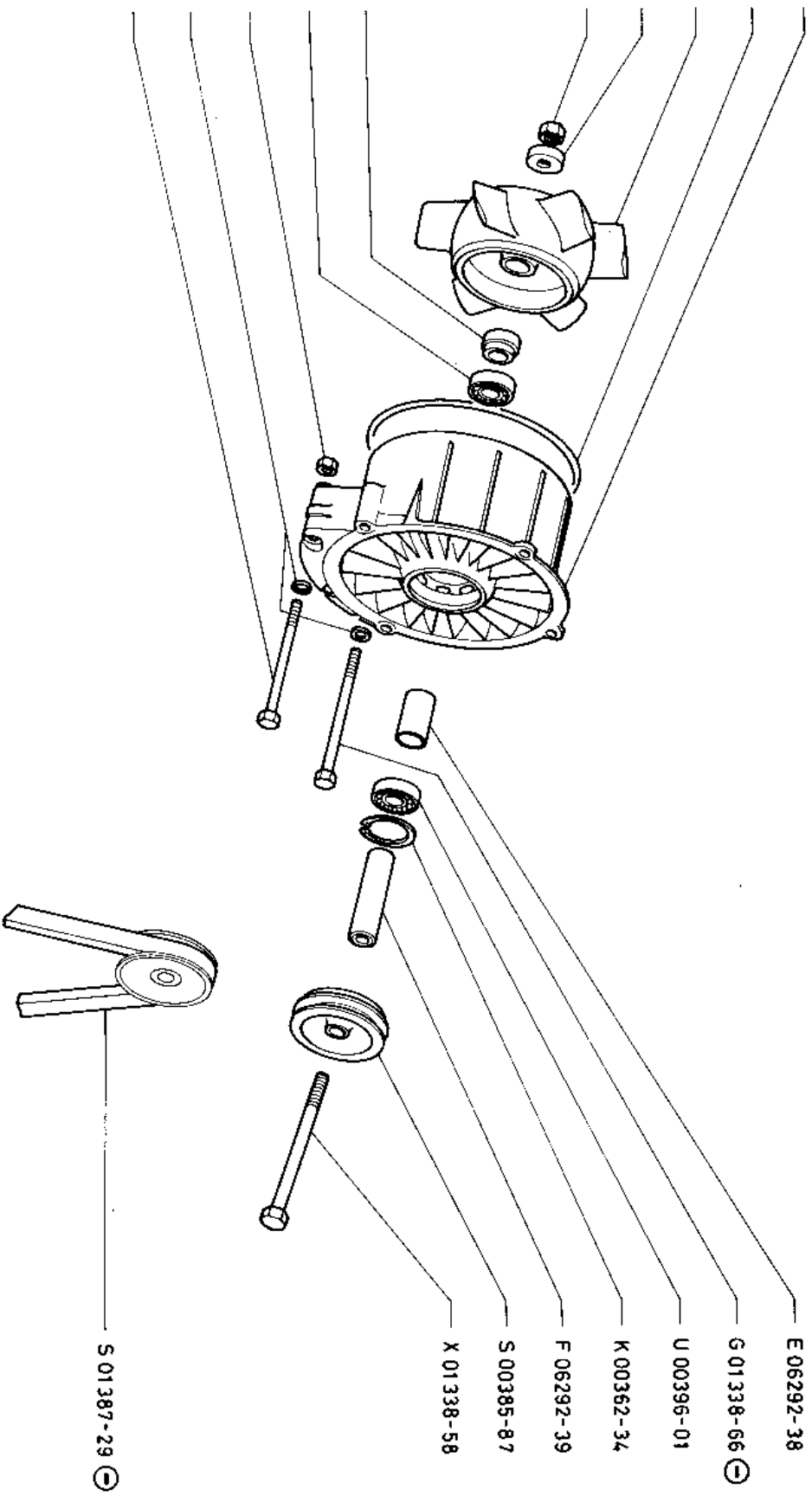
X xxxxx-xx
EMBEILLAGE
MOTION PARTS
TRIEBERKTEILE
PIEZAS DEL MECANISMO MOTRIZ

XXXXXXXX-XX

- J 00330-82
- S 02460-01
- N 01319-40
- Q 13492-17
- L 08432-36
- Z 02460-07
- H 08375-06
- R 13492-18
- Z 06492-20
- X 06492-19
- W 06492-18
- V 06492-17
- U 06492-16
- T 06492-15
- P 05435-26
- F 05460-25
- E 00435-43
- A 00347-07
- C 00341-11
- B 00319-94
- G 08375-05



- X XXXXX-XX
- F 08369-52
- N 08432-61
- J 04287-97
- N 00341-67
- C 08288-07
- U 00396-01
- ⊖ E 00341-13
- ⊖ W 01453-57
- ⊖ H 01338-67



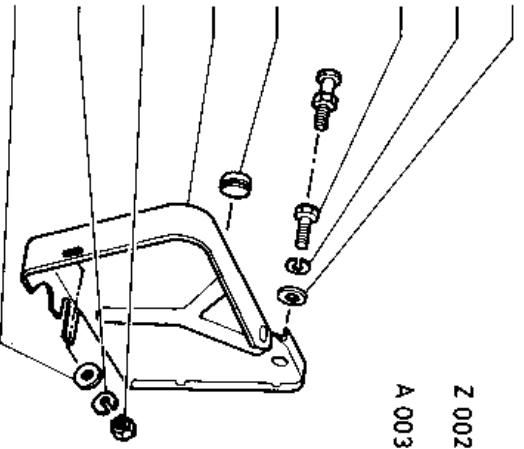
B06G08.0

1-74

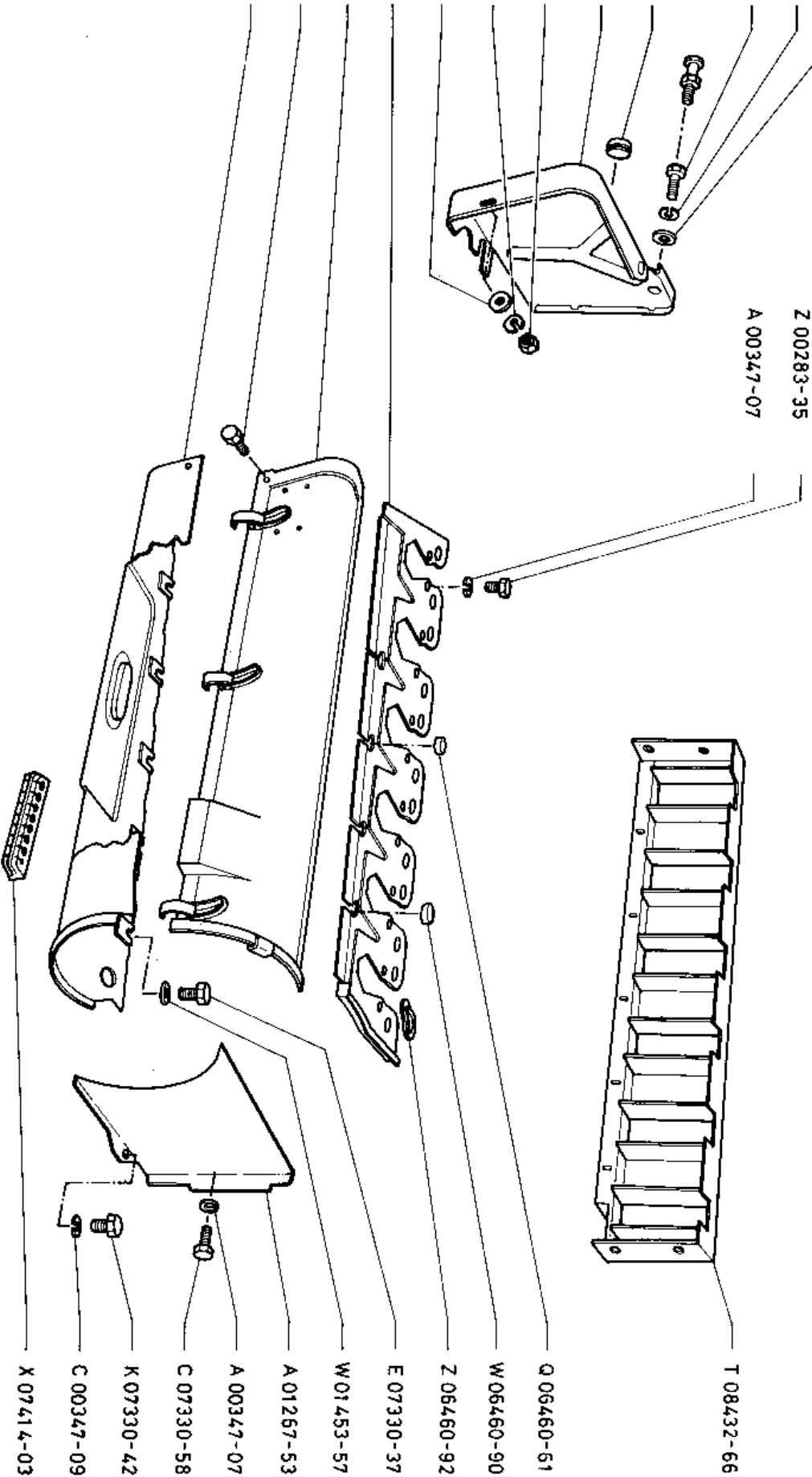
N 08432-68

SOUFFLANTE D'AIR
 COOLING AIR BLOWER
 KÜCKLUFTGEBLÄSE
 VENTILADOR

R 00346-07
A 00347-07
W 01338-57
K 06460-56
N 04270-99
C 00341-11
A 00347-07
E 02453-91
T 07270-01
Z 01267-52
W 01338-57
C 01267-55

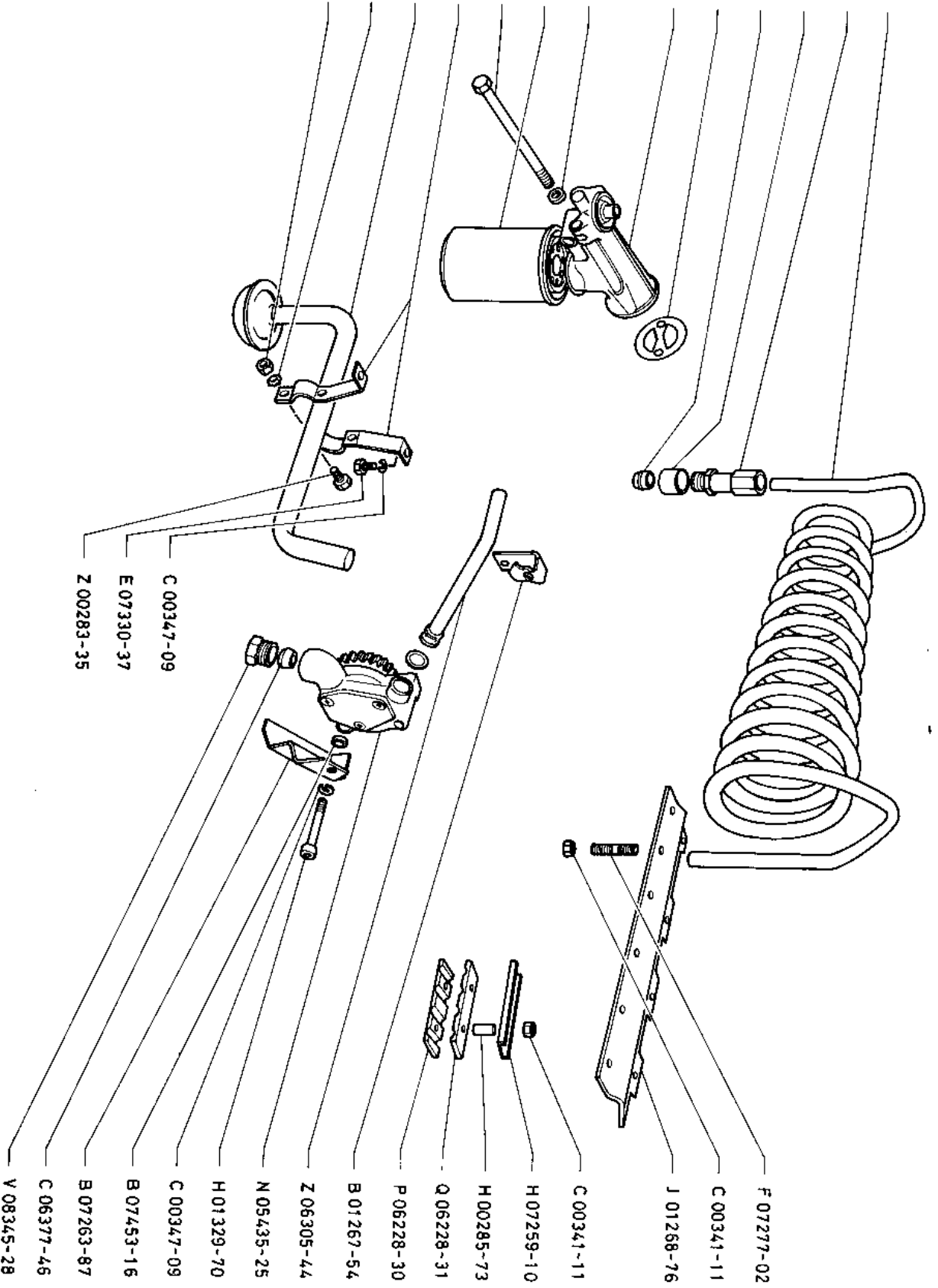


Z 00283-35
A 00347-07



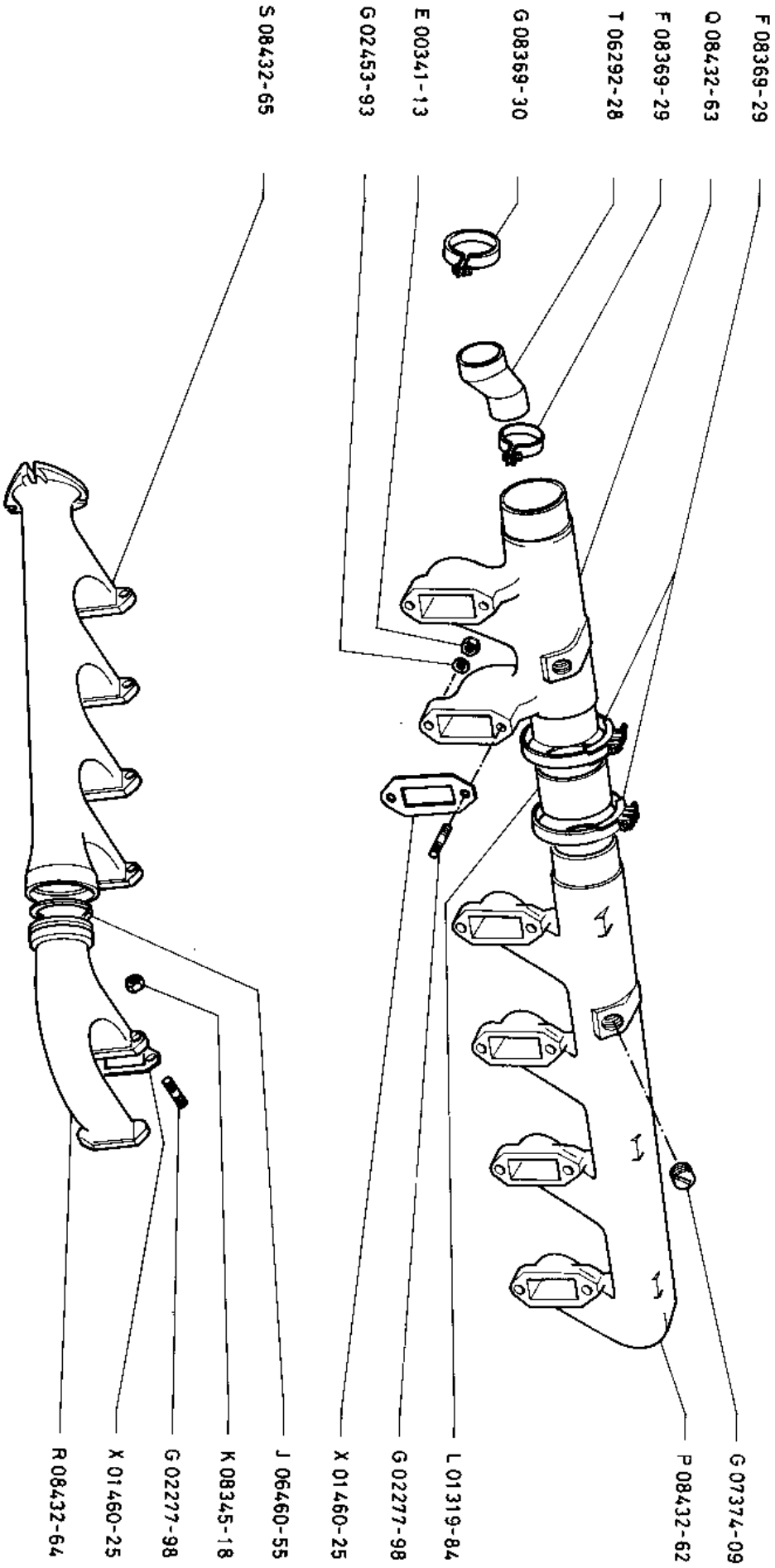
T 08432-66
Q 06460-61
W 06460-90
Z 06460-92
E 07330-37
W 01453-57
A 01267-53
A 00347-07
C 07330-58
K 07330-42
C 00347-09
X 07414-03

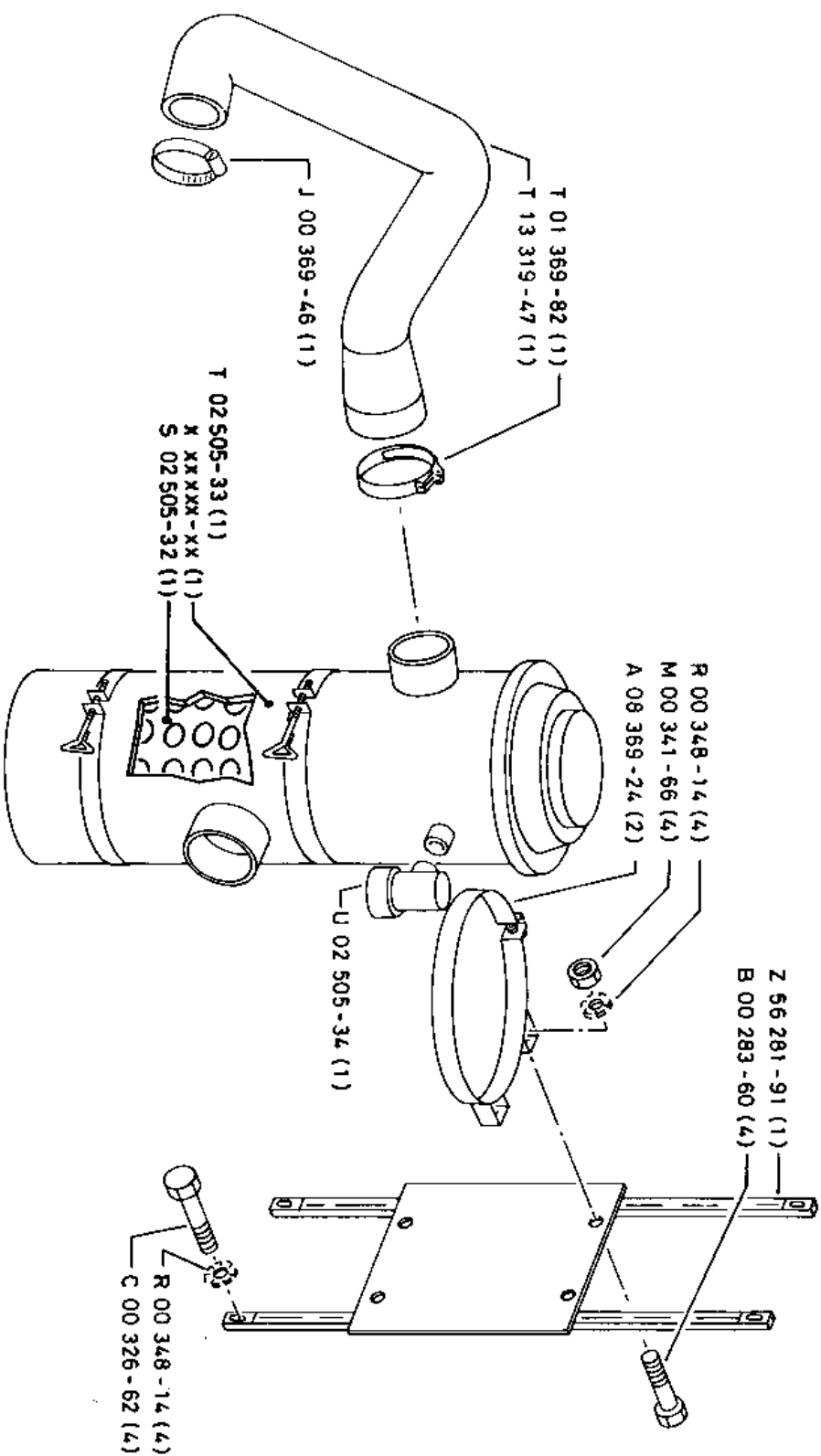
- S 01501-14
- Z 08375-21
- E 00285-70
- B 06377-45
- H 06460-77
- V 13462-55
- V 00346-11
- K 01505-21
- U 01338-55
- L 08369-57
- U 08432-67
- L 00348-09
- C 00341-11



X XXXXX-XX

POMPE A HUILE, FILTRE, REFRIGERISSEUR D'HUILE
 LUBE OIL PUMP - OIL FILTER - OIL COOLER
 SCHMIERÖLPUMPE - ÖLFILTER - ÖLKÜHLER
 BOMBA DE ACEITE LUBRICANTE - FILTRO - REFRIGERADOR DE ACEITE





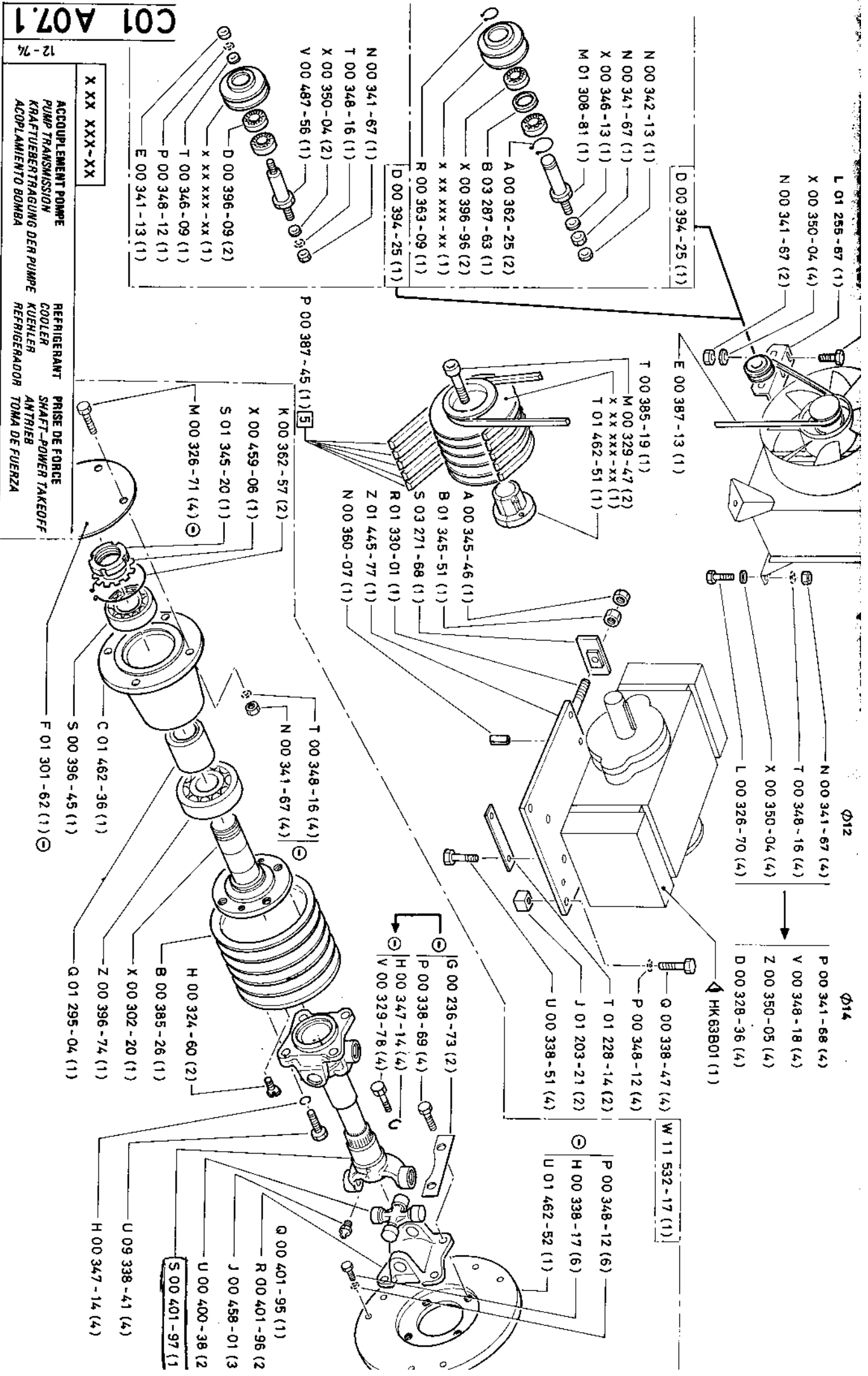
B07 B02:1

10-74

X X X X X X - X X

FILTRE A AIR
 AIR CLEANER
 LUFTFILTER
 FILTRO DE AIRE





C01 A07.1

12 - 74

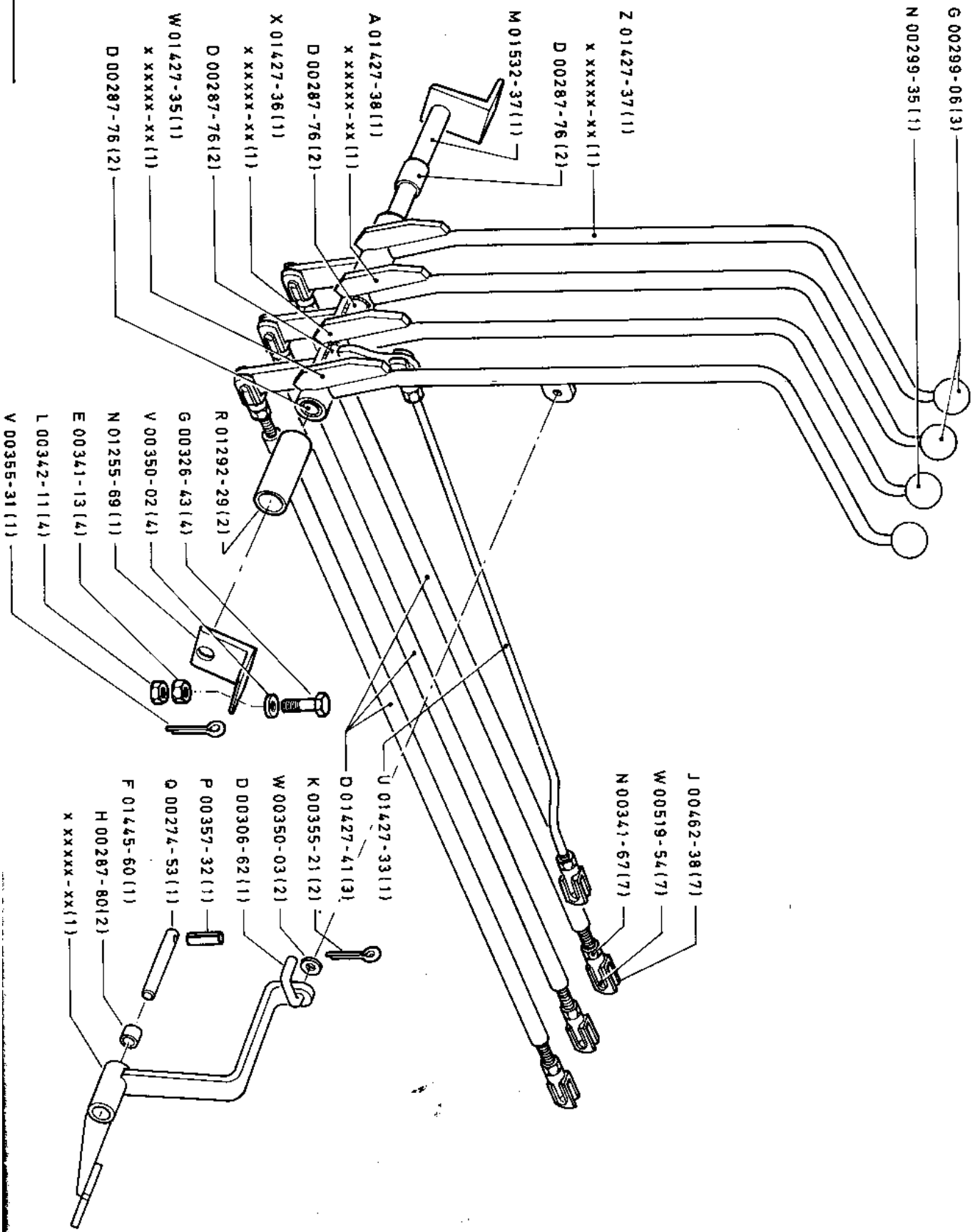
X XX XXX - XX

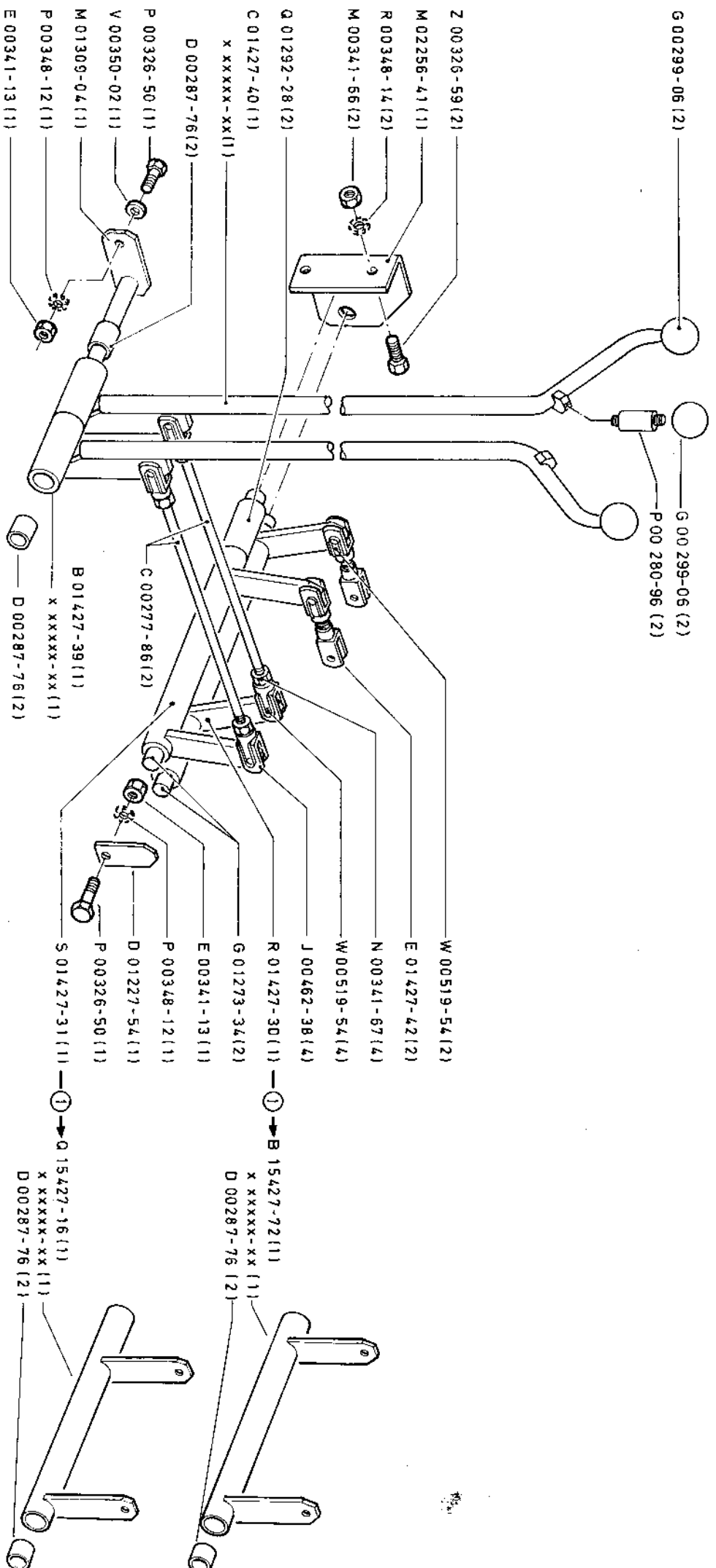
ACCUPLLEMENT POMPE
 PUMP TRANSMISSION
 KRAFTUEBERTRAGUNG DER PUMPE
 ACOPPLAMENTO BOMBA

REFRIGERANT
 COOLER
 KUEHLER
 REFRIGERADOR

PRISE DE FORCE
 SHAFT-POWER TAKEOFF
 ANTRIEB
 TOMA DE FUERZA

X XXXXX-XX



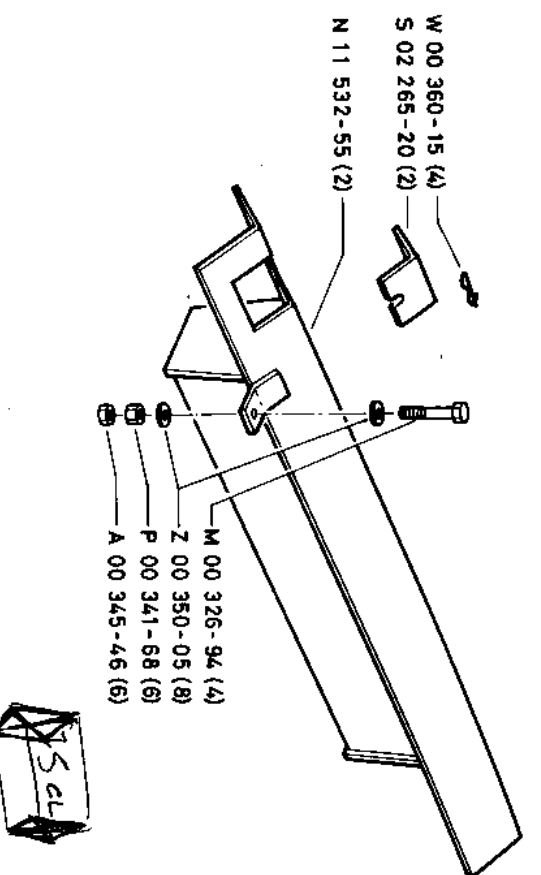
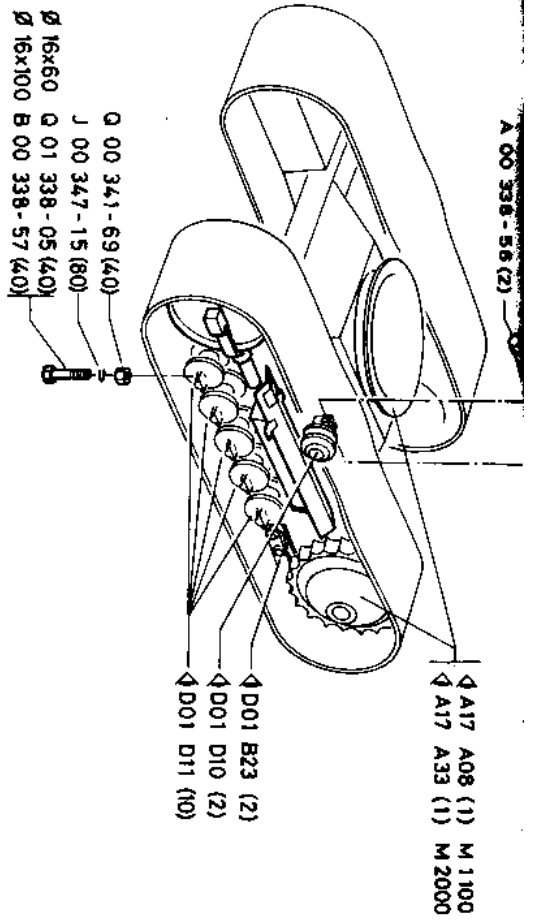


C21 K25.0

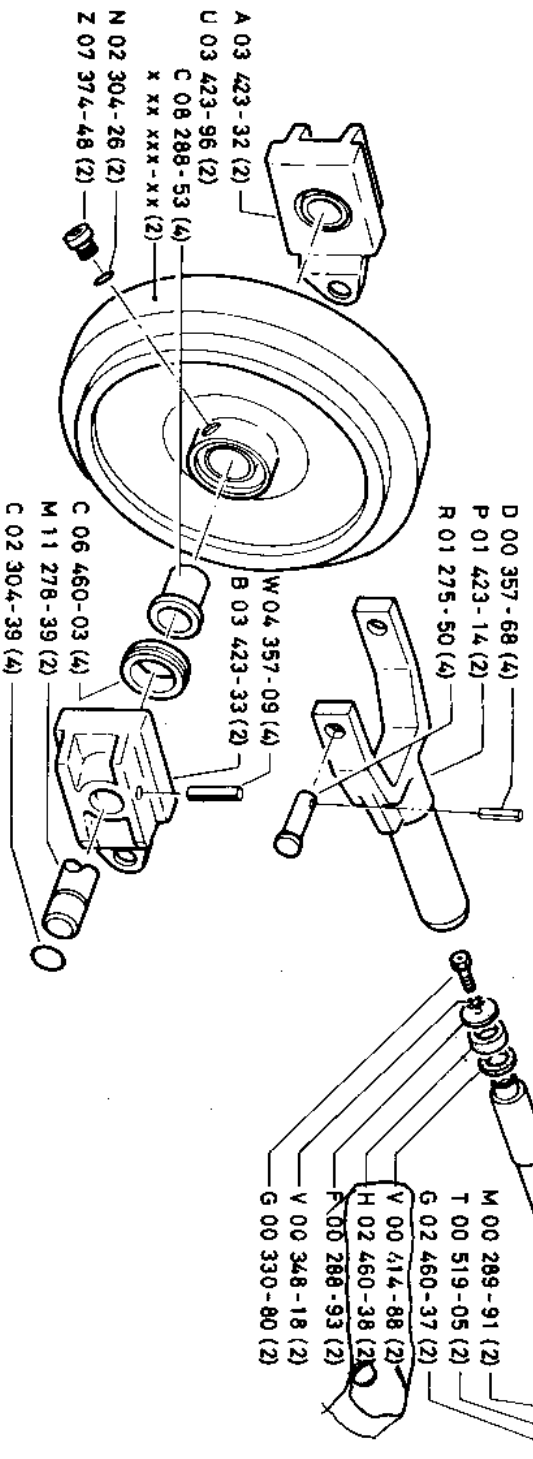
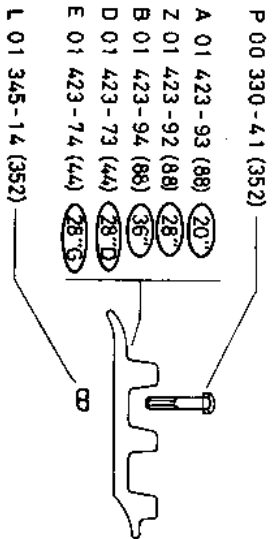
11-74

X X X X X X - X X

COMMANDE TRANSLATION
 PROPEL CONTROL
 FAHRWERK STEUERUNG
 MANDO DE TRASLACION



83



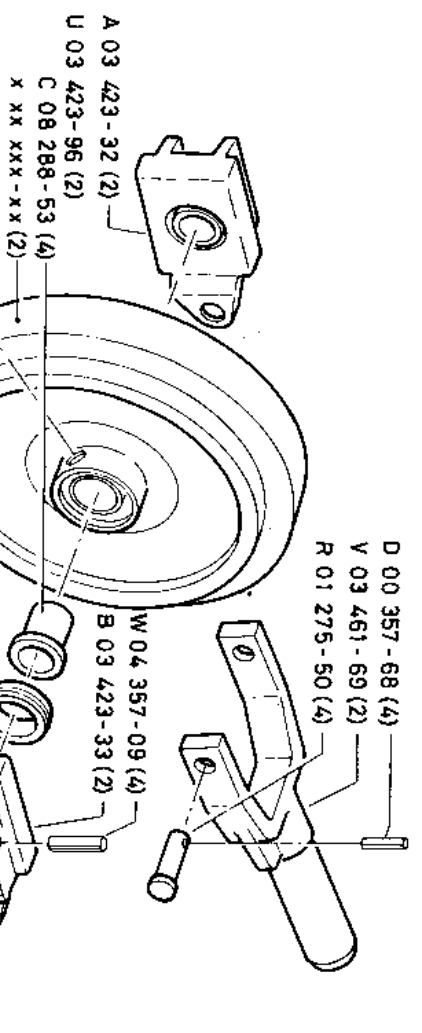
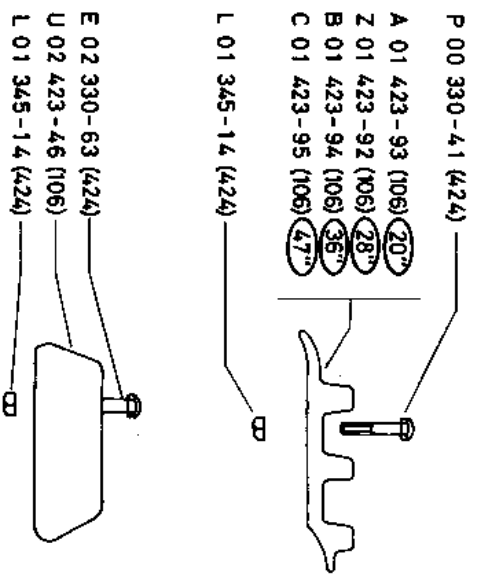
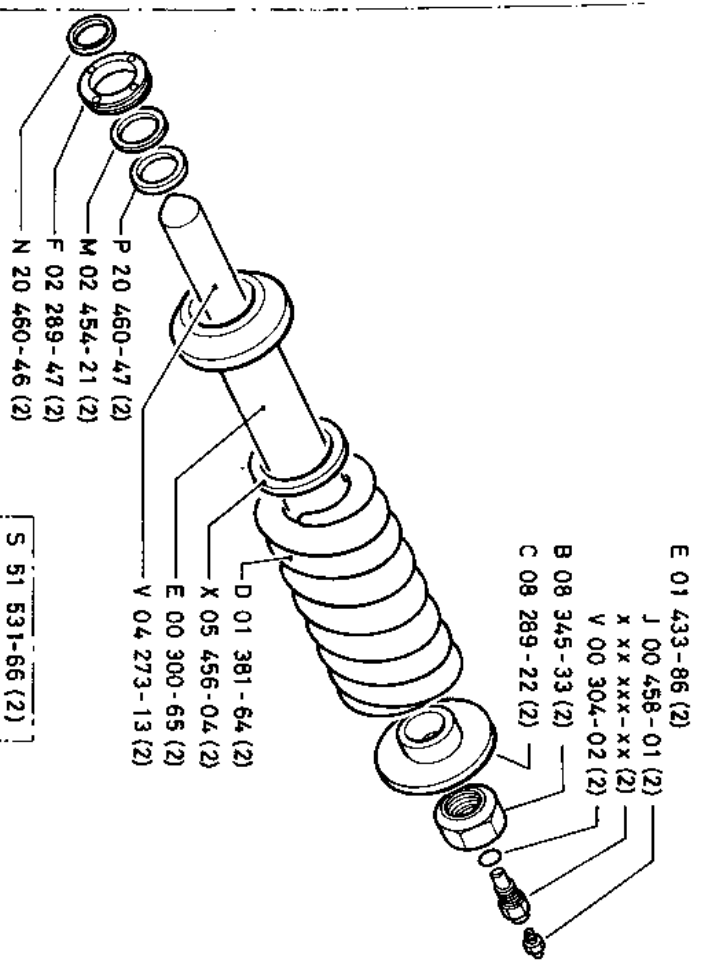
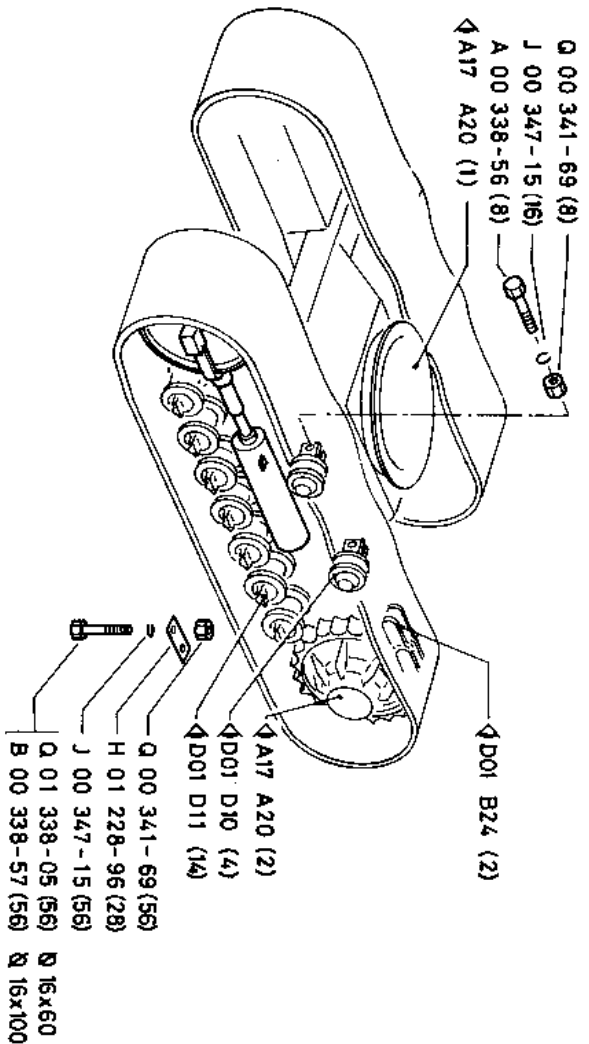
D01 A03.2

12-74

X X X X X X - X X

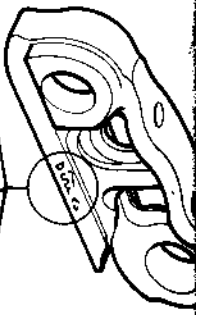
TRAIN DE CHERILLES
TRACK GROUP
RAUPENKETTEN
ORUGAS

LC



D01 A

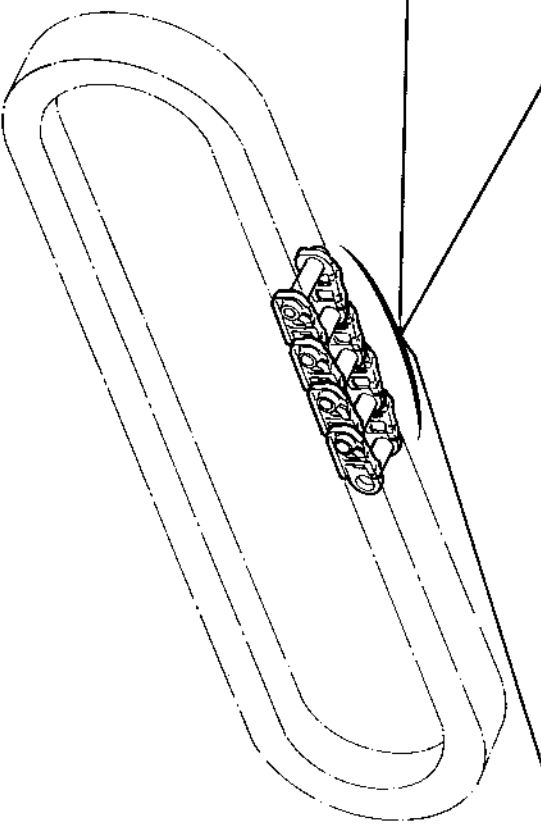
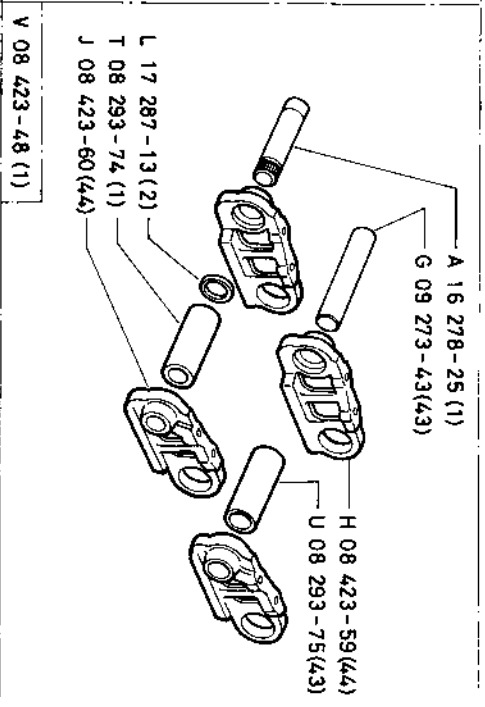
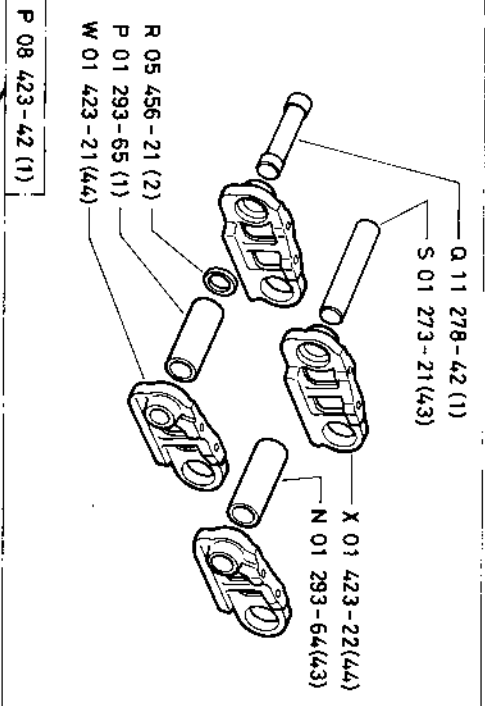
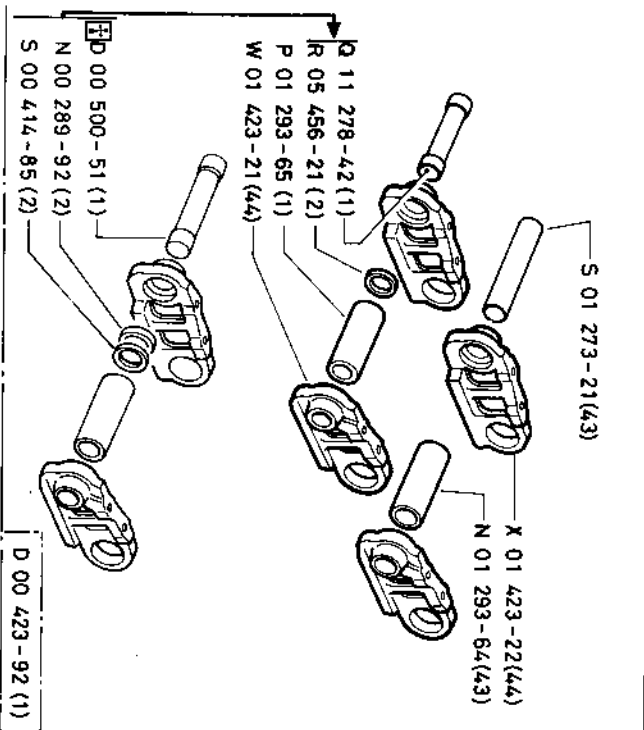
X XX XXX-XX



BERCO

ITM ITS

E A



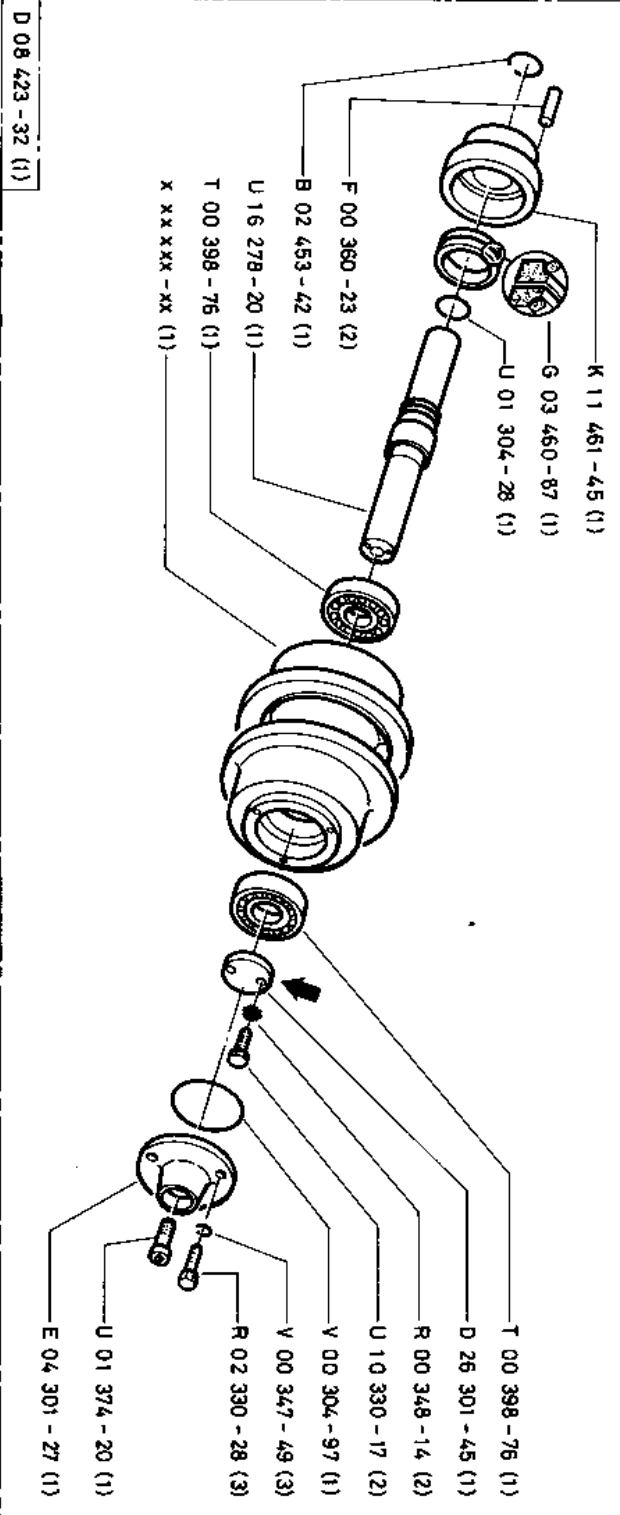
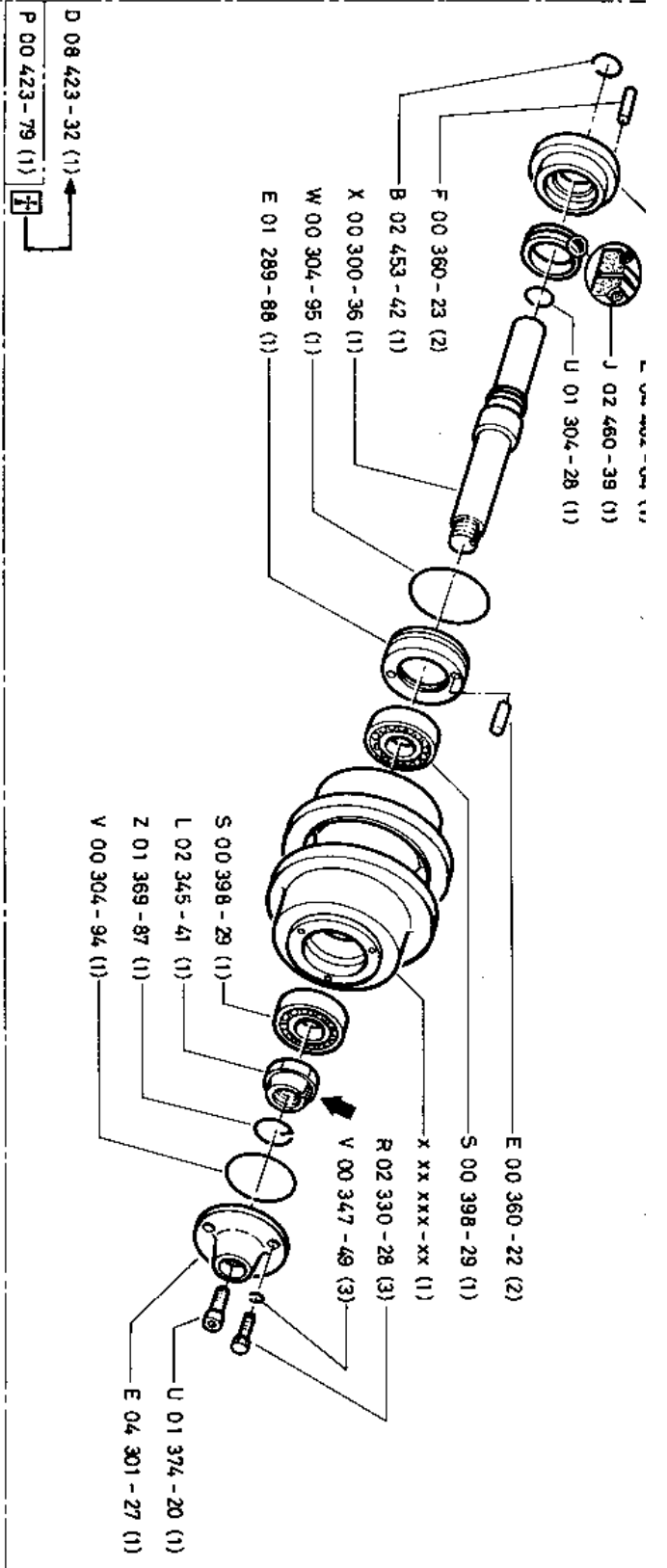
D01 B23.0

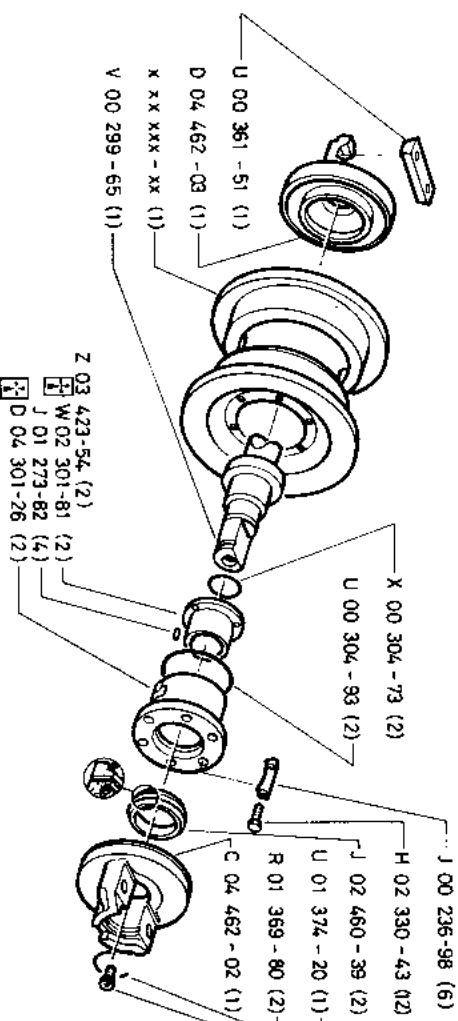
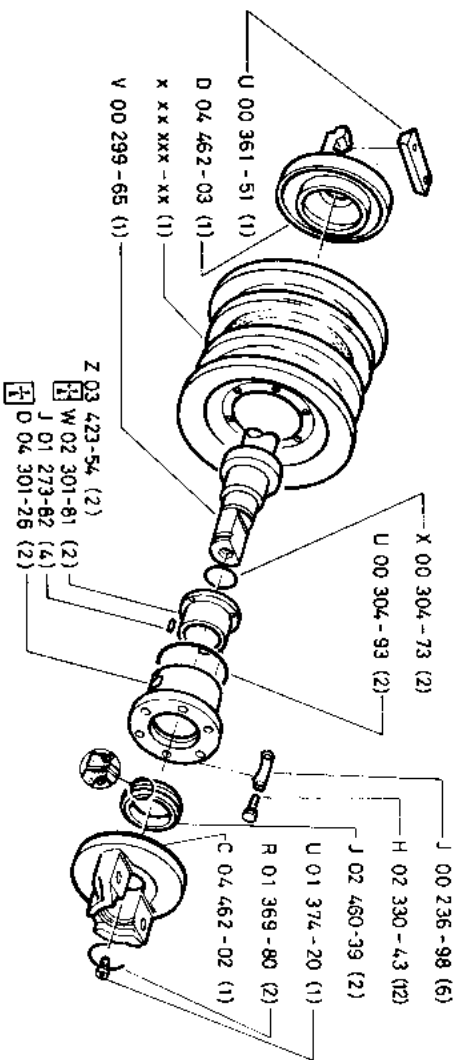
3-74

X X X X X - X X

CHEMILLES
TRACKS
RAUPENKETTEN
ORUGAS

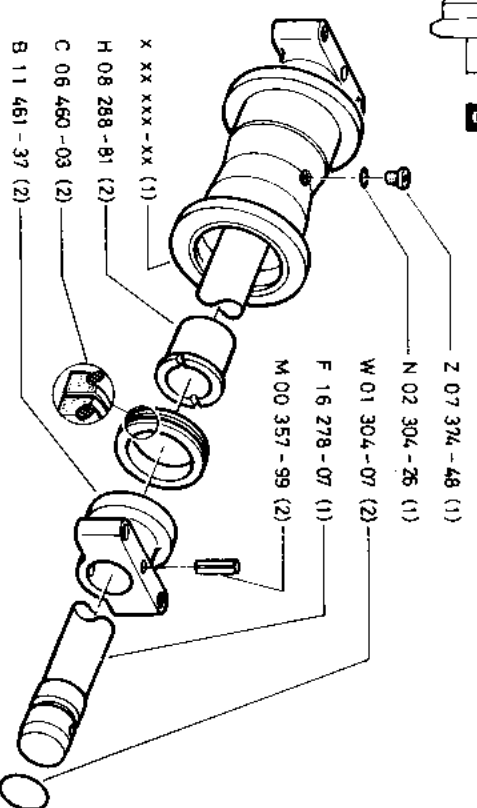
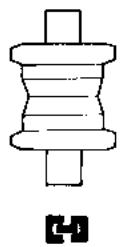
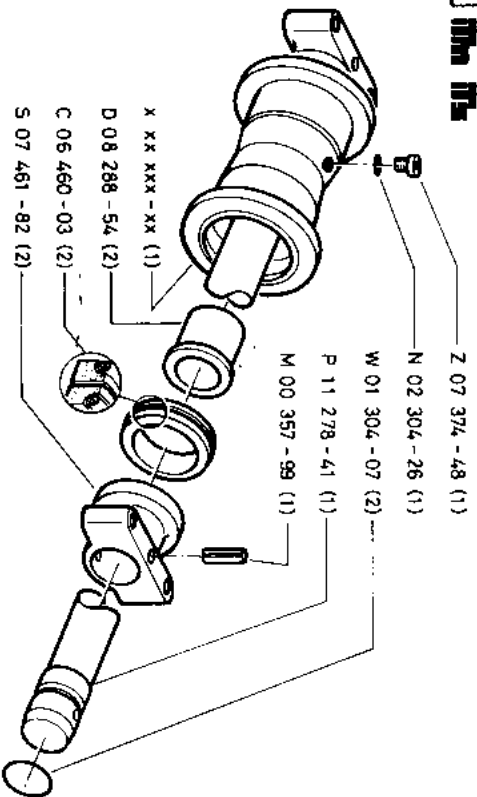
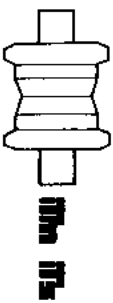
XXX XXX-XX





G 00 423 - 80 (1)
 R 00 423 - 81 (1)

Q 00 423 - 8

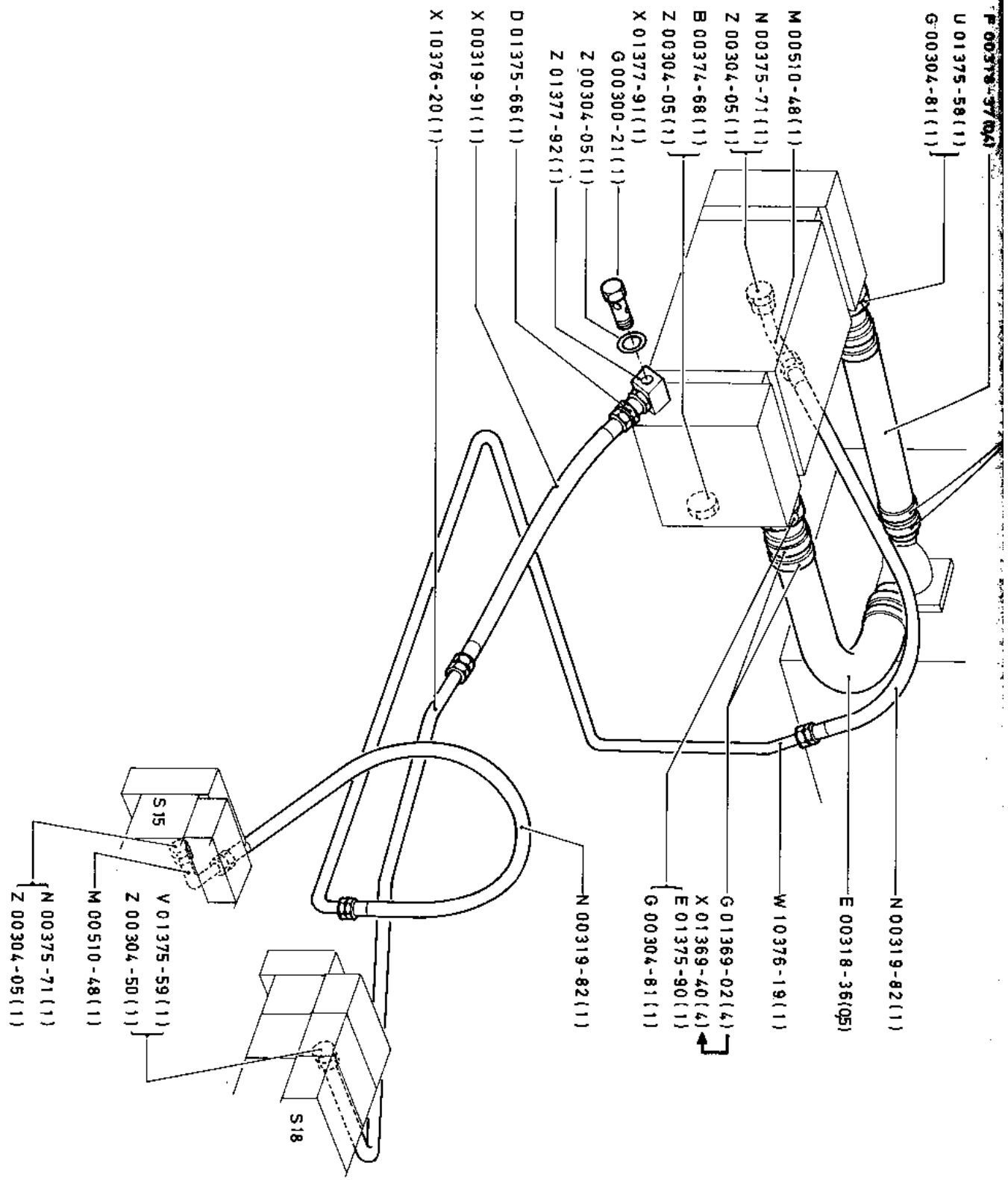


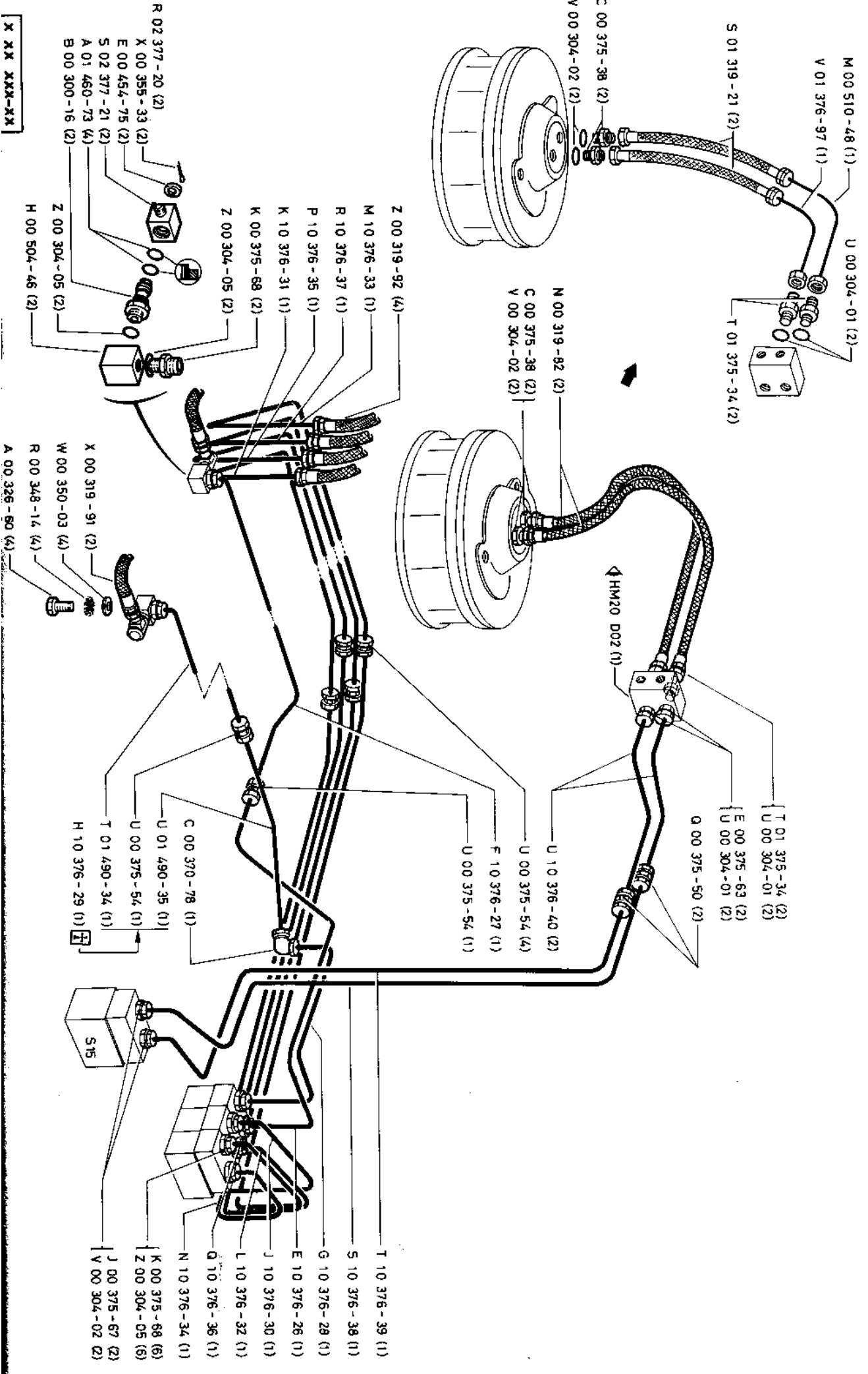
D01 D

X XX XXX - XX

X X X X X - X X

CIRCUIT RESERVOIR-POMPE-DISTRIBUTEUR
 RESERVOIR-PUMP-VALVE BANK CIRCUITS
 BEHALTER PUMPEN STEUERBLOCK UMLAUF
 CIRCUITO DEPOSITO-BOMBA-DISTRIBUIDOR





X XX XXX-XX

- R 02 377 - 20 (2)
- X 00 355 - 33 (2)
- E 00 454 - 75 (2)
- S 02 377 - 21 (2)
- A 01 460 - 73 (4)
- B 00 300 - 16 (2)

- Z 00 304 - 05 (2)
- H 00 504 - 46 (2)
- Z 00 319 - 92 (4)
- M 10 376 - 33 (1)
- R 10 376 - 37 (1)
- P 10 376 - 35 (1)
- K 10 376 - 31 (1)
- K 00 375 - 68 (2)
- Z 00 304 - 05 (2)

- X 00 319 - 91 (2)
- W 00 350 - 03 (4)
- R 00 348 - 14 (4)
- A 00 326 - 60 (4)

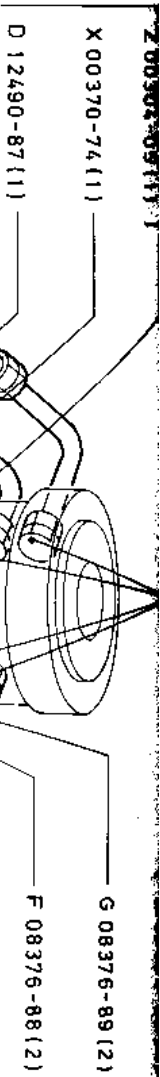
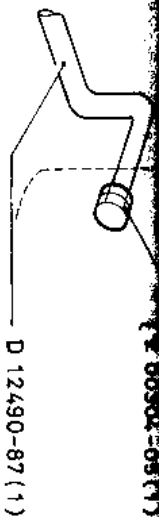
- C 00 370 - 78 (1)
- U 01 490 - 35 (1)
- U 00 375 - 54 (1)
- T 01 490 - 34 (1)
- H 10 376 - 29 (1)

- N 00 319 - 62 (2)
- C 00 375 - 38 (2)
- Y 00 304 - 02 (2)

- U 10 376 - 40 (2)
- U 00 375 - 54 (4)
- F 10 376 - 27 (1)
- U 00 375 - 54 (1)

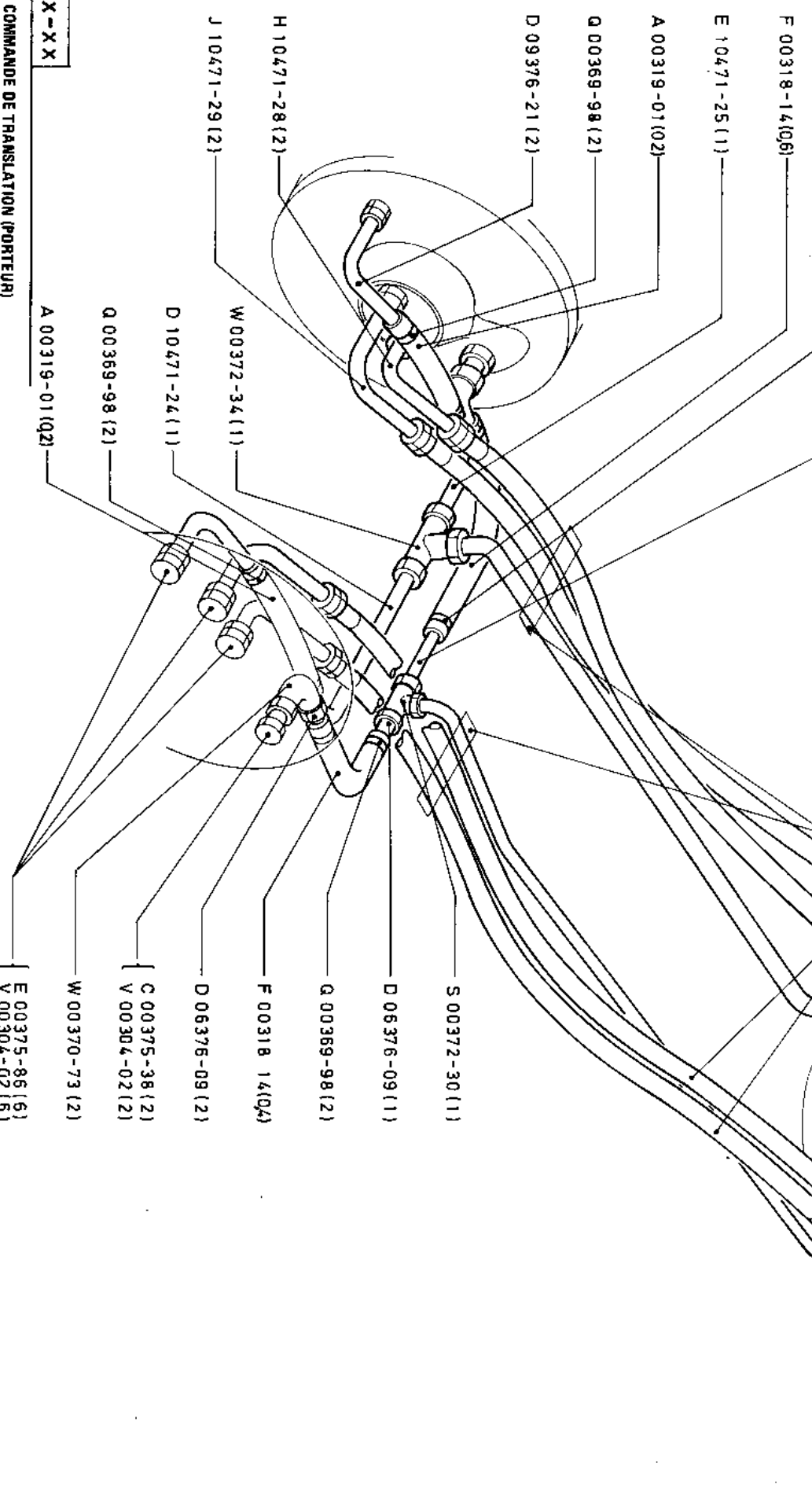
- T 10 376 - 39 (1)
- S 10 376 - 38 (1)
- G 10 376 - 28 (1)
- E 10 376 - 26 (1)
- J 10 376 - 30 (1)
- L 10 376 - 32 (1)
- Q 10 376 - 36 (1)
- N 10 376 - 34 (1)
- K 00 375 - 68 (6)
- Z 00 304 - 05 (6)
- J 00 375 - 67 (2)
- V 00 304 - 02 (2)

- Q 00 375 - 50 (2)
- T 01 375 - 34 (2)
- U 00 304 - 01 (2)
- E 00 375 - 63 (2)
- U 00 304 - 01 (2)

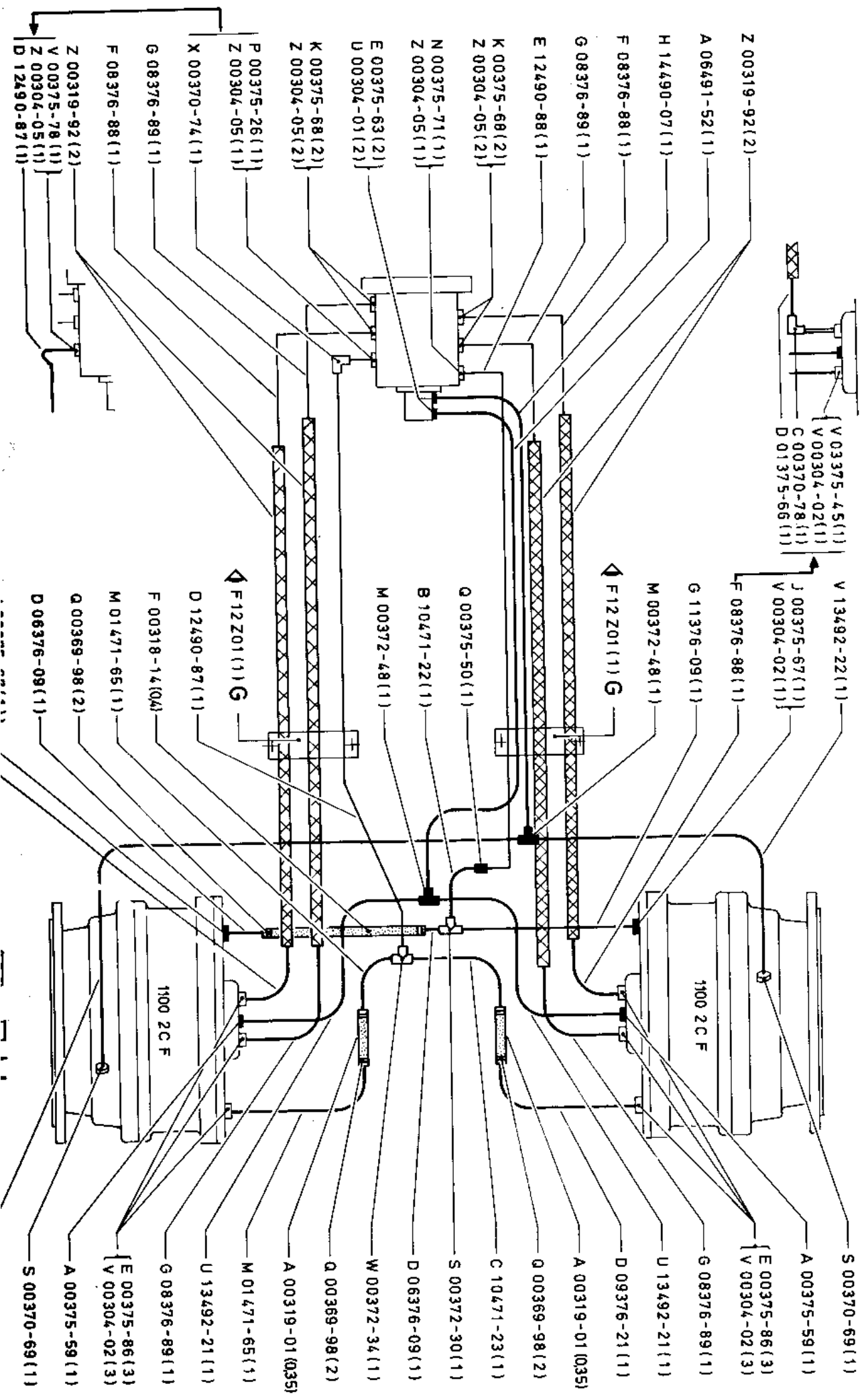


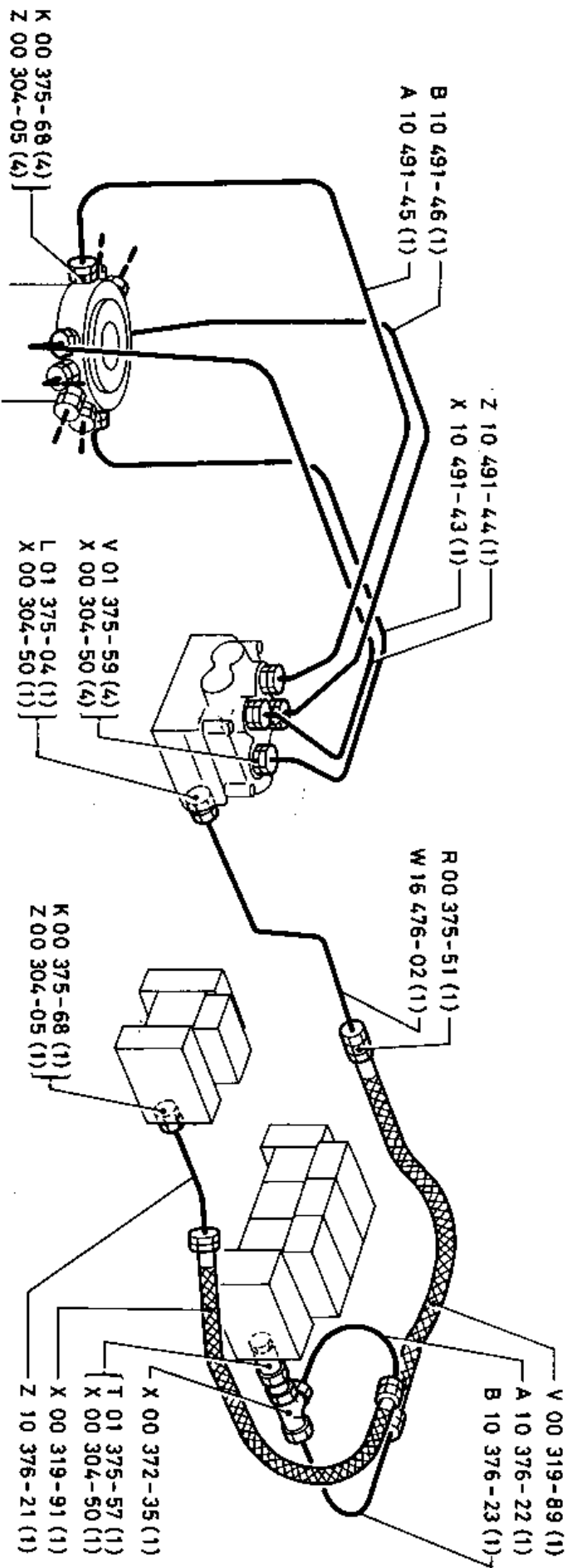
Z 00507-60 (1)
 Q 00369-98 (2)
 F 00318-14 (06)
 E 10471-25 (1)
 A 00319-01 (02)
 Q 00369-98 (2)
 D 09376-21 (2)
 H 10471-28 (2)
 J 10471-29 (2)
 W 00372-34 (1)
 D 10471-24 (1)
 Q 00369-98 (2)
 A 00319-01 (02)
 X 00370-74 (1)
 D 12490-87 (1)
 Z 00319-92 (4)
 F 08376-88 (2)
 G 08376-89 (2)
 N 00375-71 (1)
 Z 00304-05 (1)
 E 12490-88 (1)

F12 Z01 (2)P



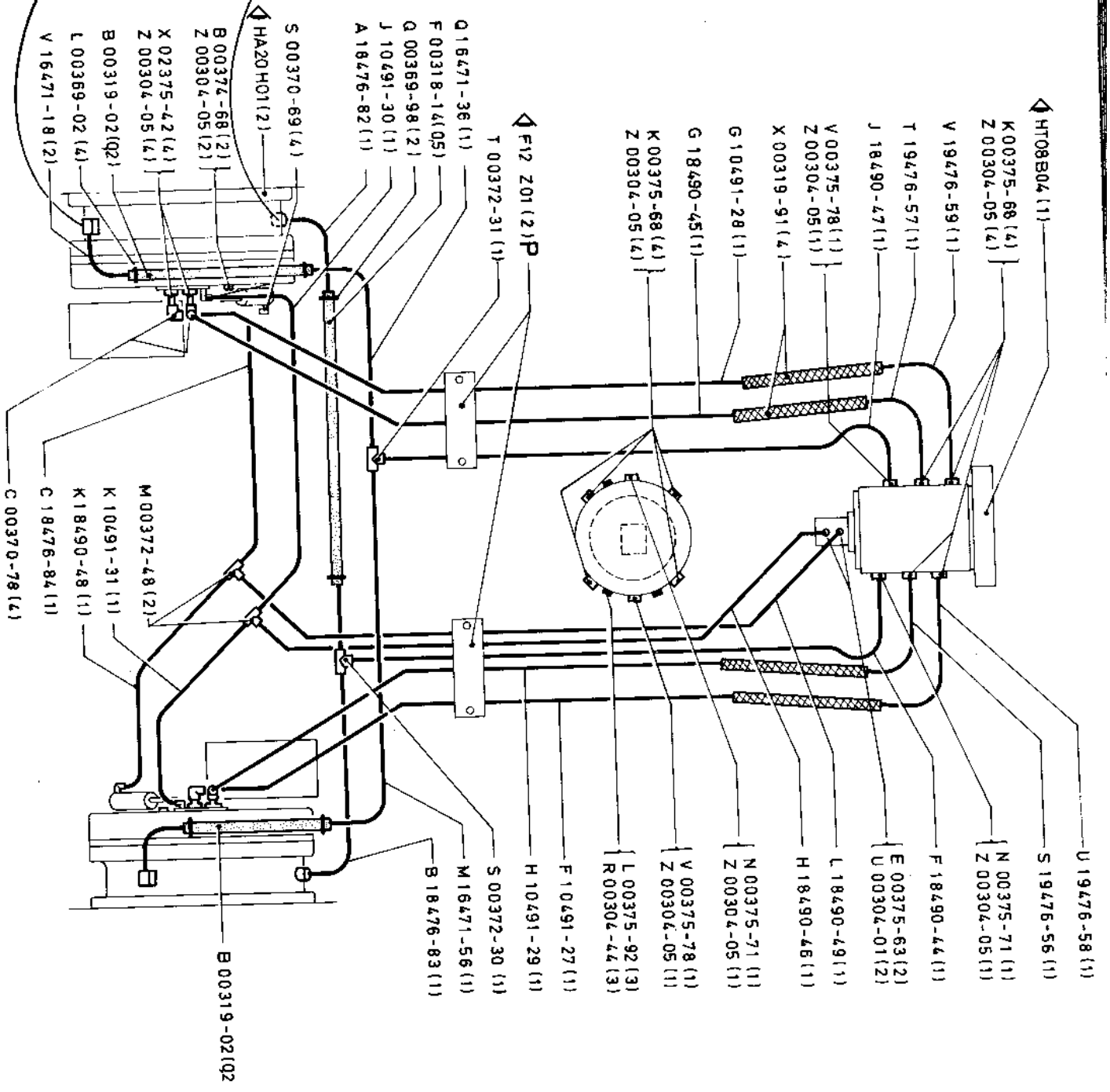
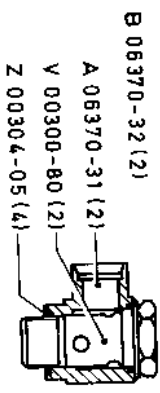
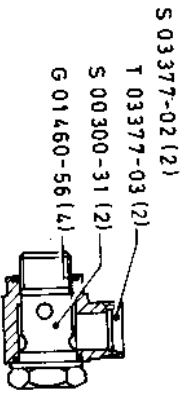
X X X X X X - X X
 CIRCUIT DE COMMANDE DE TRANSLATION (PORTEUR)
 UNDERCARRIAGE TRACK CONTROL CIRCUIT
 FAHRWERK BETAETIGUNG UMLAUF (UNTERWAGEN)
 CIRCUITO DE MANDO DE TRASLACION (PORTADOR)
 M1100



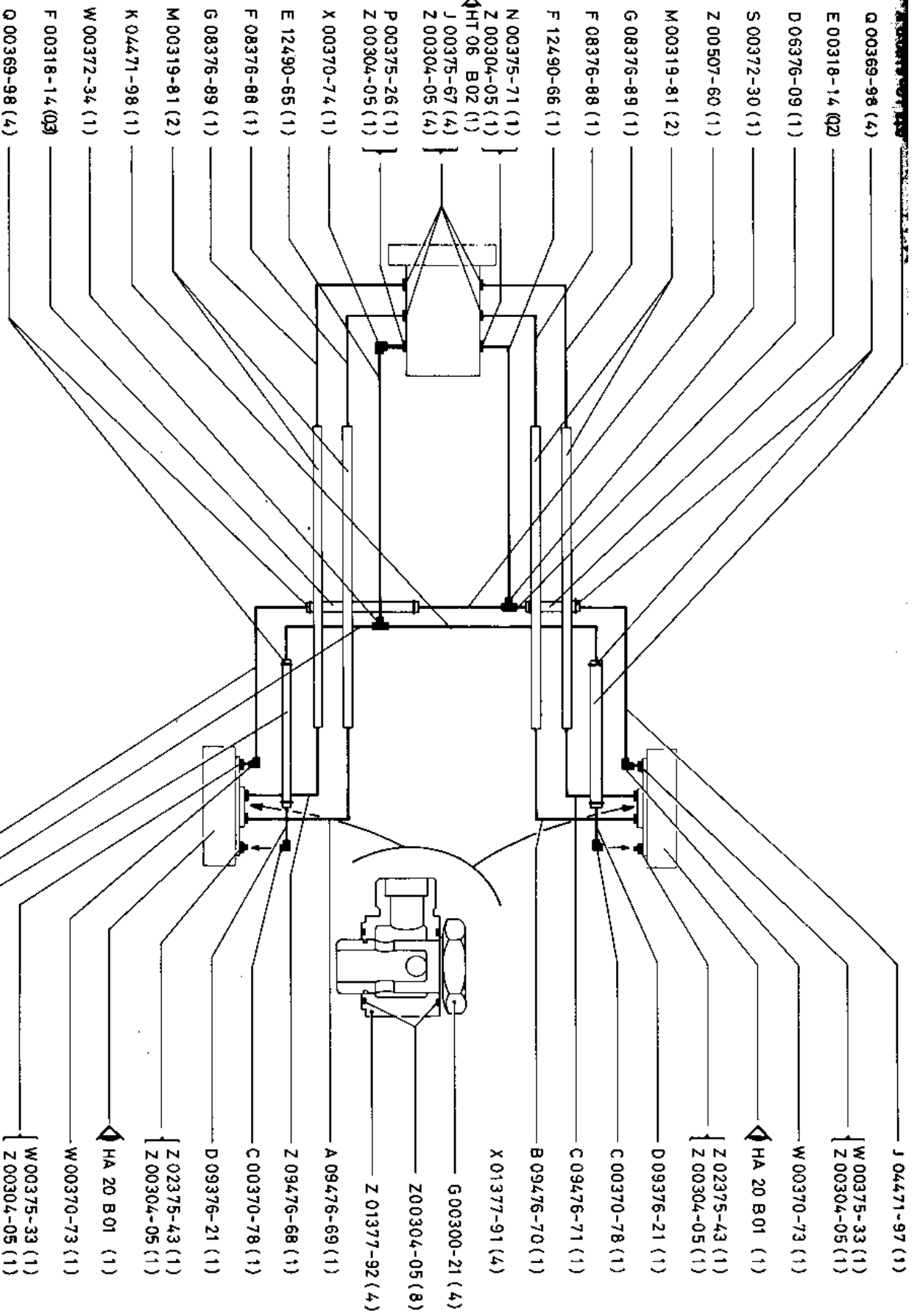


X XX XXX - XX

CIRCUIT DE COMMANDE DE TRANSLATION (TOURELLE)
 UPPERSTRUCTURE TRACK CONTROL CIRCUIT
 FAHRWERK BETÄTIGUNG UMLAUF (OBERWAGEN)
 CIRCUITO DE MANDO TRASLACION (TORRETA)



X XXXXXX-X X



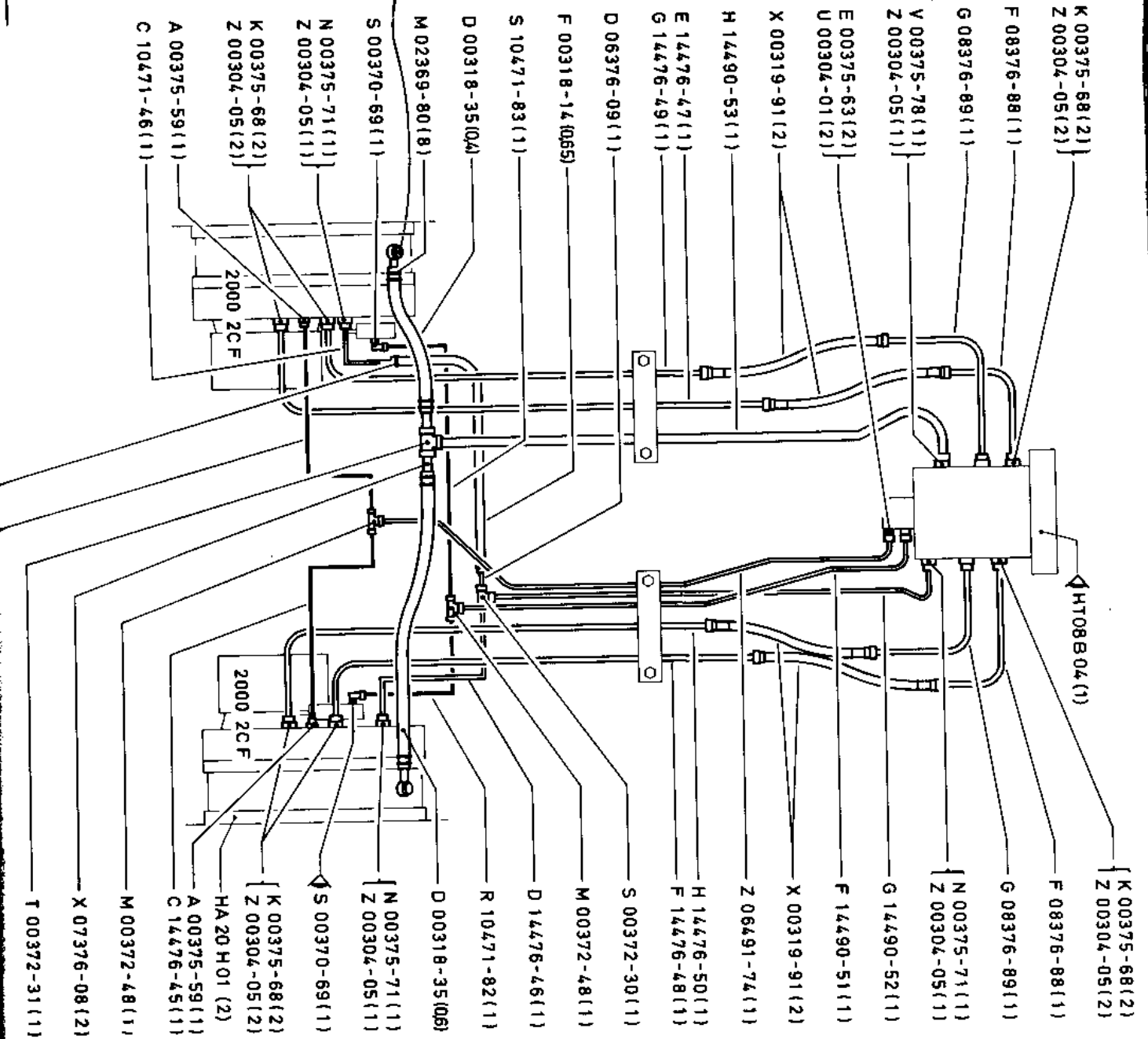
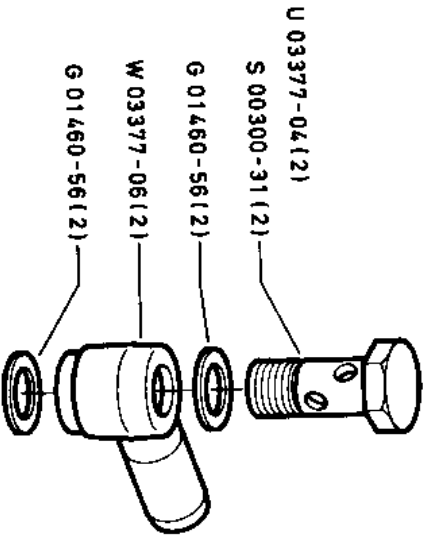
- Q 00369-98 (4)
- E 00318-14 (Q2)
- D 06376-09 (1)
- S 00372-30 (1)
- Z 00507-60 (1)
- M 00319-81 (2)
- G 08376-89 (1)
- F 08376-88 (1)
- F 12490-66 (1)
- N 00375-71 (1)
- Z 00304-05 (1)
- HT 06 B02 (1)
- J 00375-67 (4)
- Z 00304-05 (4)
- P 00375-26 (1)
- Z 00304-05 (1)
- X 00370-74 (1)
- E 12490-65 (1)
- F 08376-88 (1)
- G 08376-89 (1)
- M 00319-81 (2)
- K 04471-98 (1)
- W 00372-34 (1)
- F 00318-14 (Q3)
- Q 00369-98 (4)

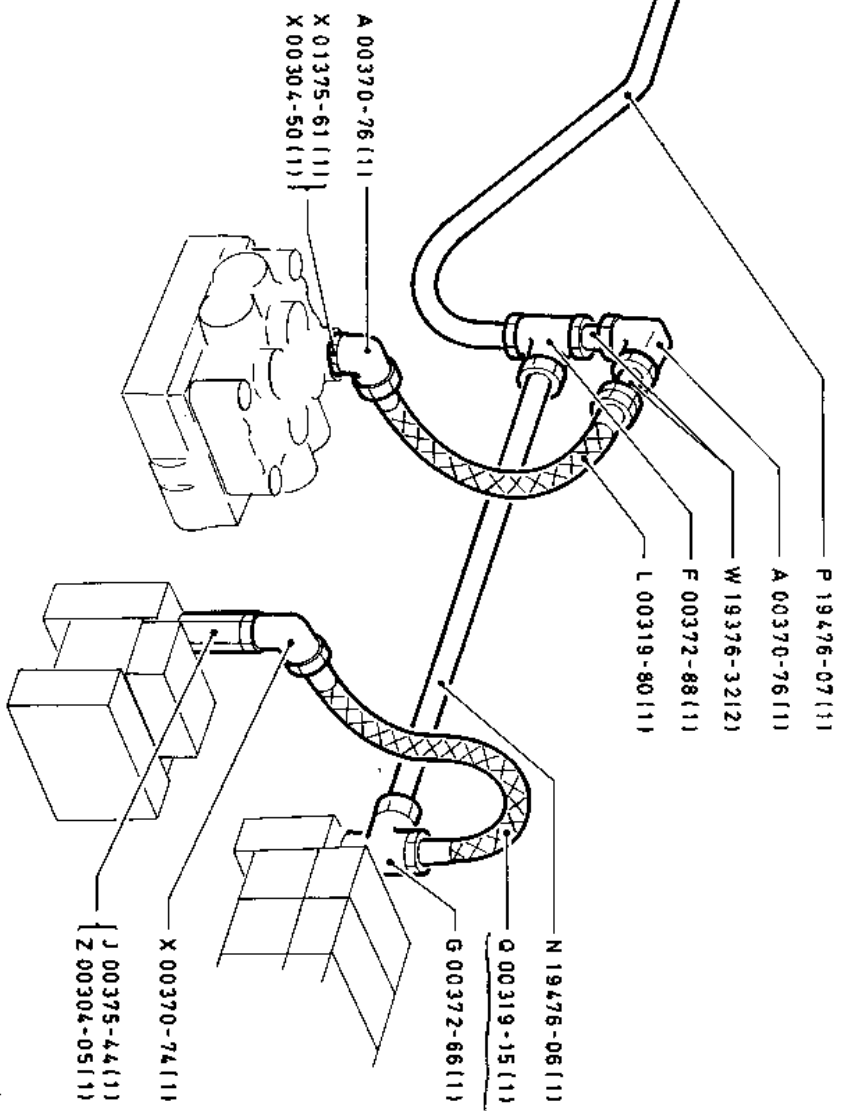
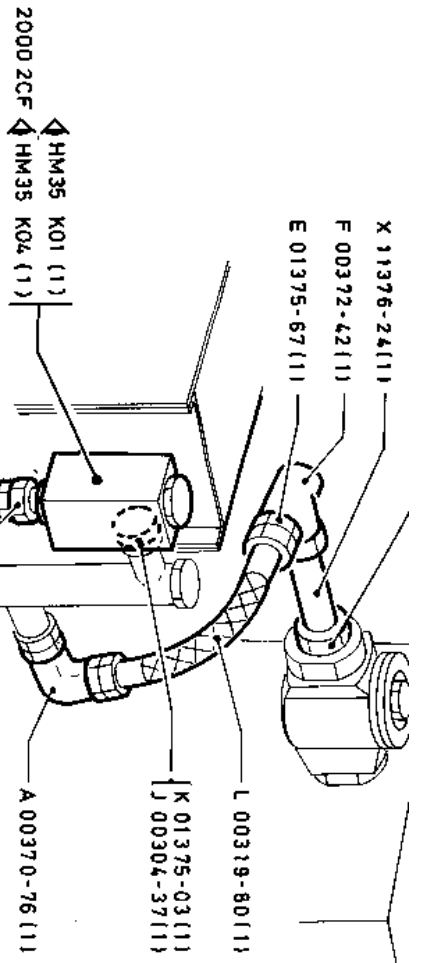
- J 04471-97 (1)
- W 00375-33 (1)
- Z 00304-05 (1)
- W 00370-73 (1)
- HA 20 B01 (1)
- Z 02375-43 (1)
- Z 00304-05 (1)
- D 09376-21 (1)
- A 09476-69 (1)
- Z 09476-68 (1)
- C 00370-78 (1)
- X 01377-91 (4)
- G 00300-21 (4)
- Z 00304-05 (8)
- Z 01377-92 (4)
- A 00319-01 (Q3)
- L 04471-99 (1)
- J 04471-97 (1)
- W 00375-33 (1)
- Z 00304-05 (1)
- HA 20 B01 (1)
- W 00370-73 (1)
- W 00375-33 (1)
- Z 00304-05 (1)
- A 00319-01 (Q3)
- L 04471-99 (1)
- J 04471-97 (1)

X XX XXX-XX

CIRCUIT HYDRAULIQUE CHASSIS PORTEUR
 HYDRAULIC SYSTEM (UNDERCARRIAGE)
 HYDRAULISCHER KREISLAUF DES UNTERWAGENS
 CIRCUITO HIDRAULICO DEL BASTIDOR

LCM M 2000





F12 D02.1

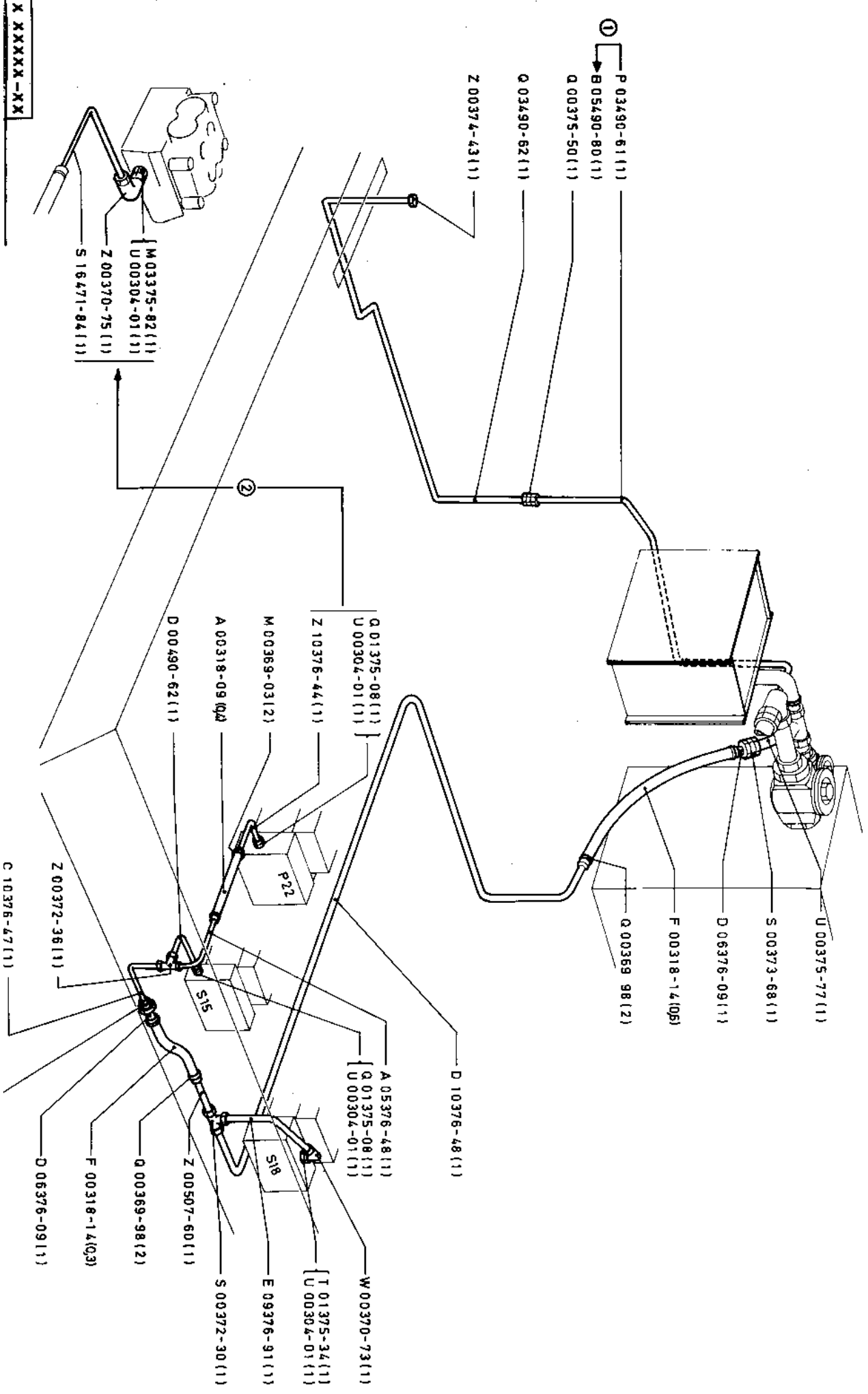
12-76

X X X X X X X X

CIRCUIT DE RETOUR GENERAL
 GENERAL RETURN CIRCUIT
 ALLGEMEINER RUECKLAUF
 CIRCUITO DE RETORNO GENERAL

X XXXXX-XX

F12

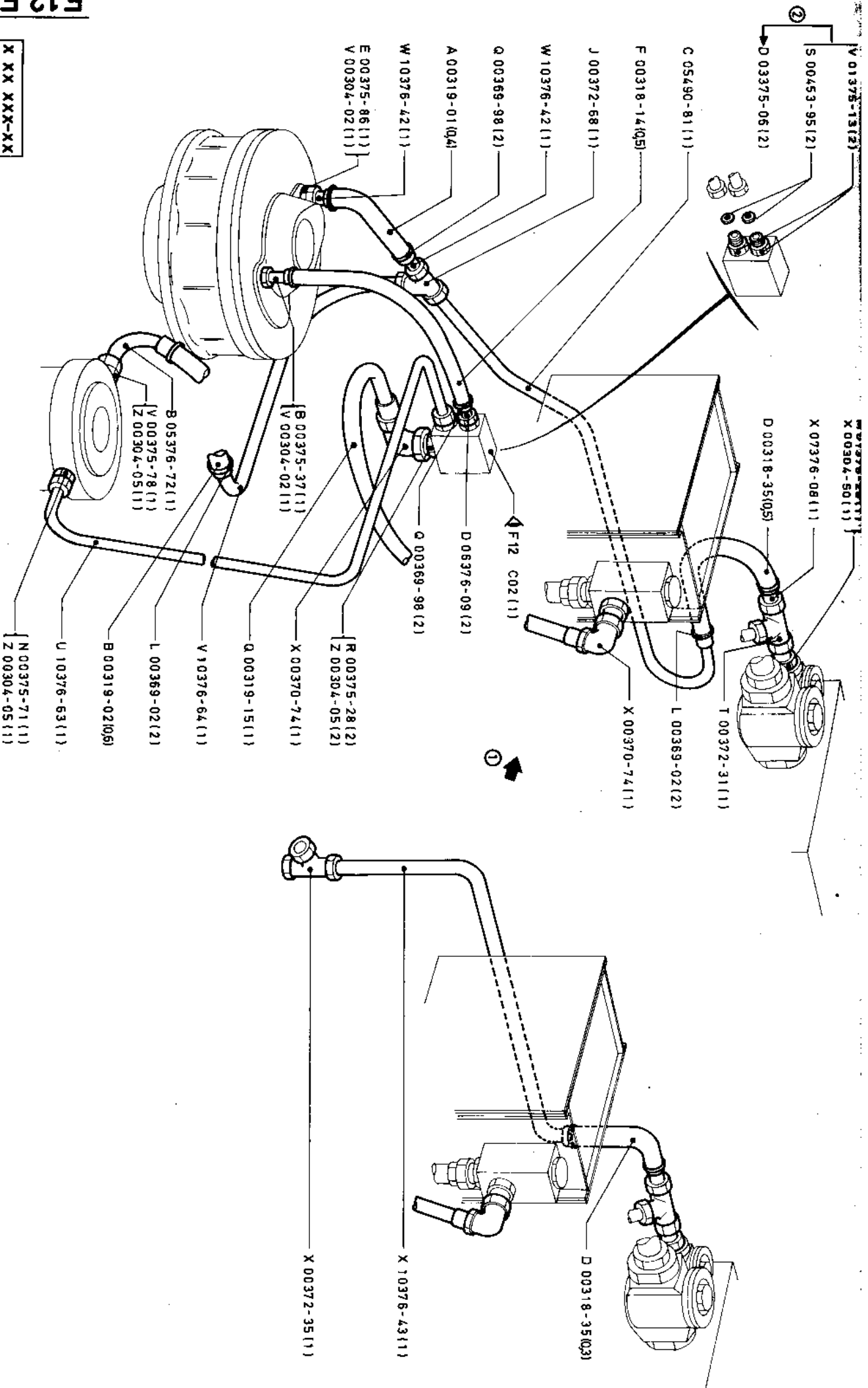


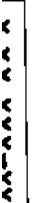
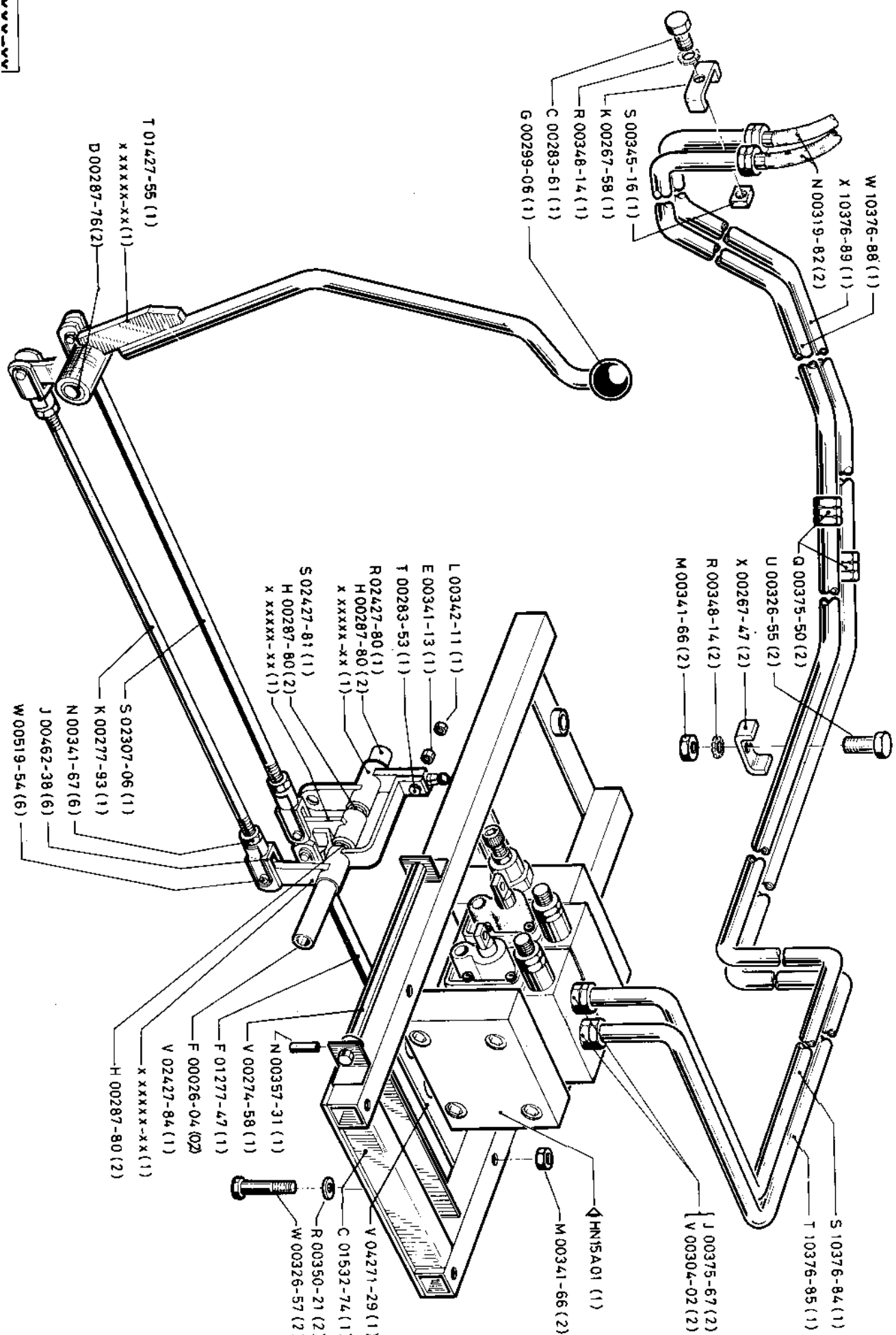
F12 F02.0

7-73

X X X X X X X X

CIRCUIT D'IRRIGATION (TOURRELLE)
 UBERSTRUKTURE WARMUNG THROUGH CIRCUIT
 SICHERHEITSENTWERFLAUF AM OBERWAGEN
 CIRCUITO DE IRRIGACION (TORRETA)



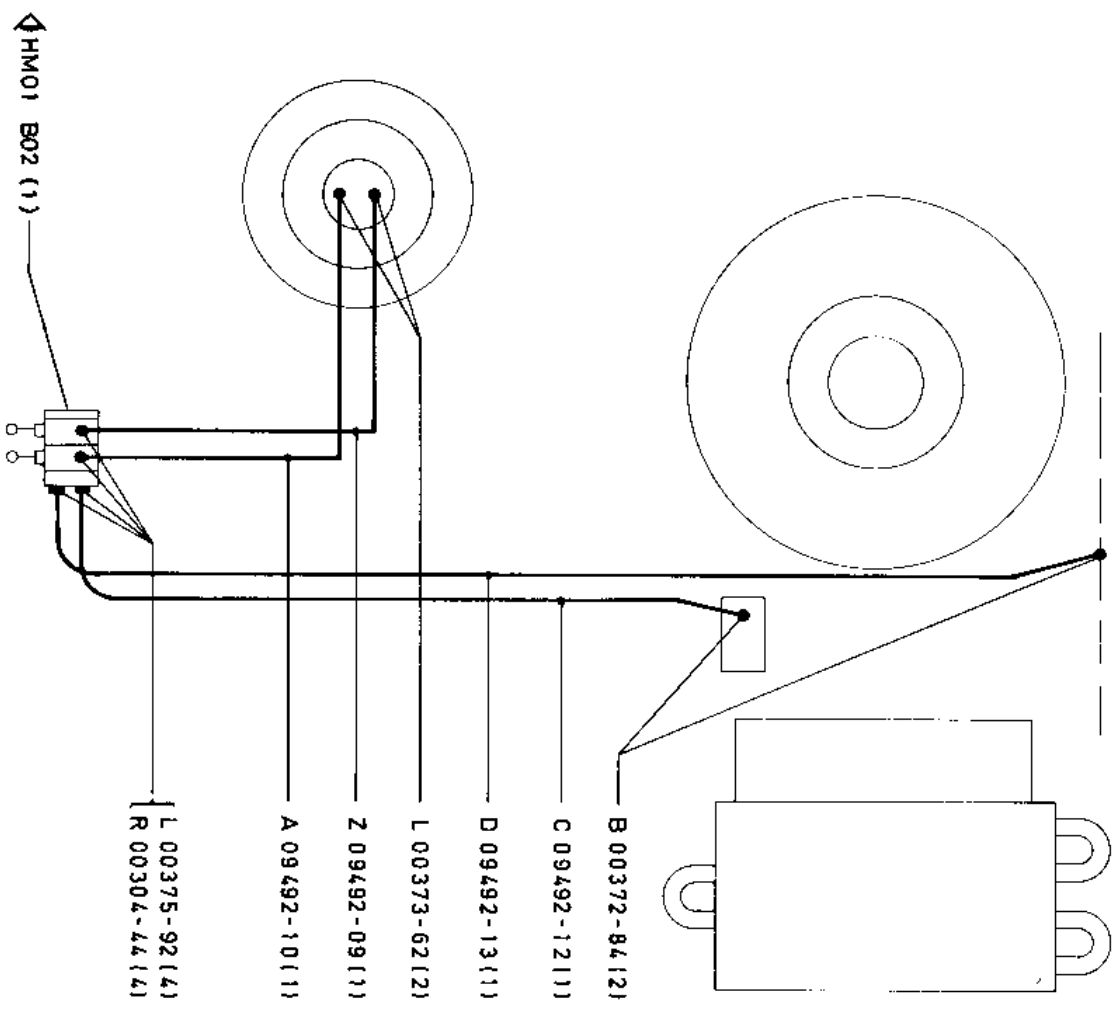


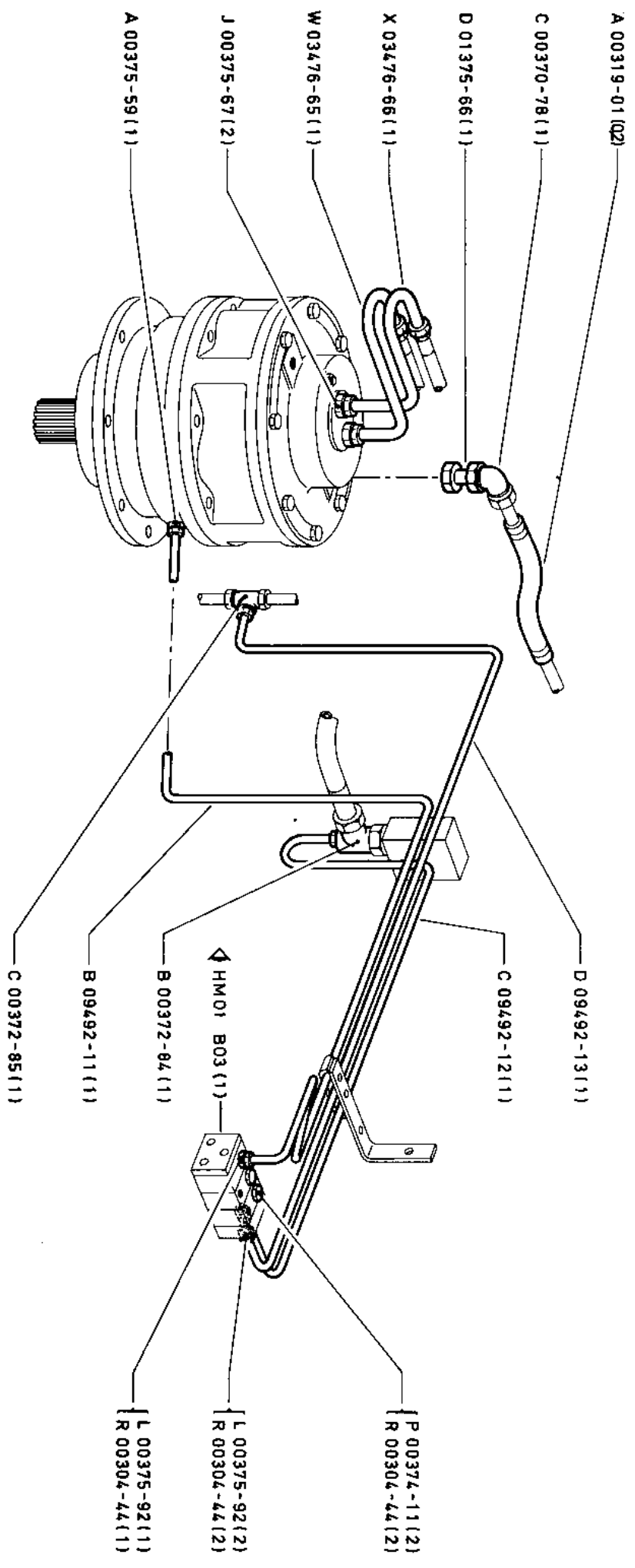
F12 K03.3

12-74

X XX XXX - XX

COMPLEMENT TRANSLATION FREINÉE
 BRAKED TRACK FITTINGS
 ZUSATZTEILE FUER BREMSBARES FAHRWERK
 ACCESORIOS TRASLACION FREMADA





F12 K0

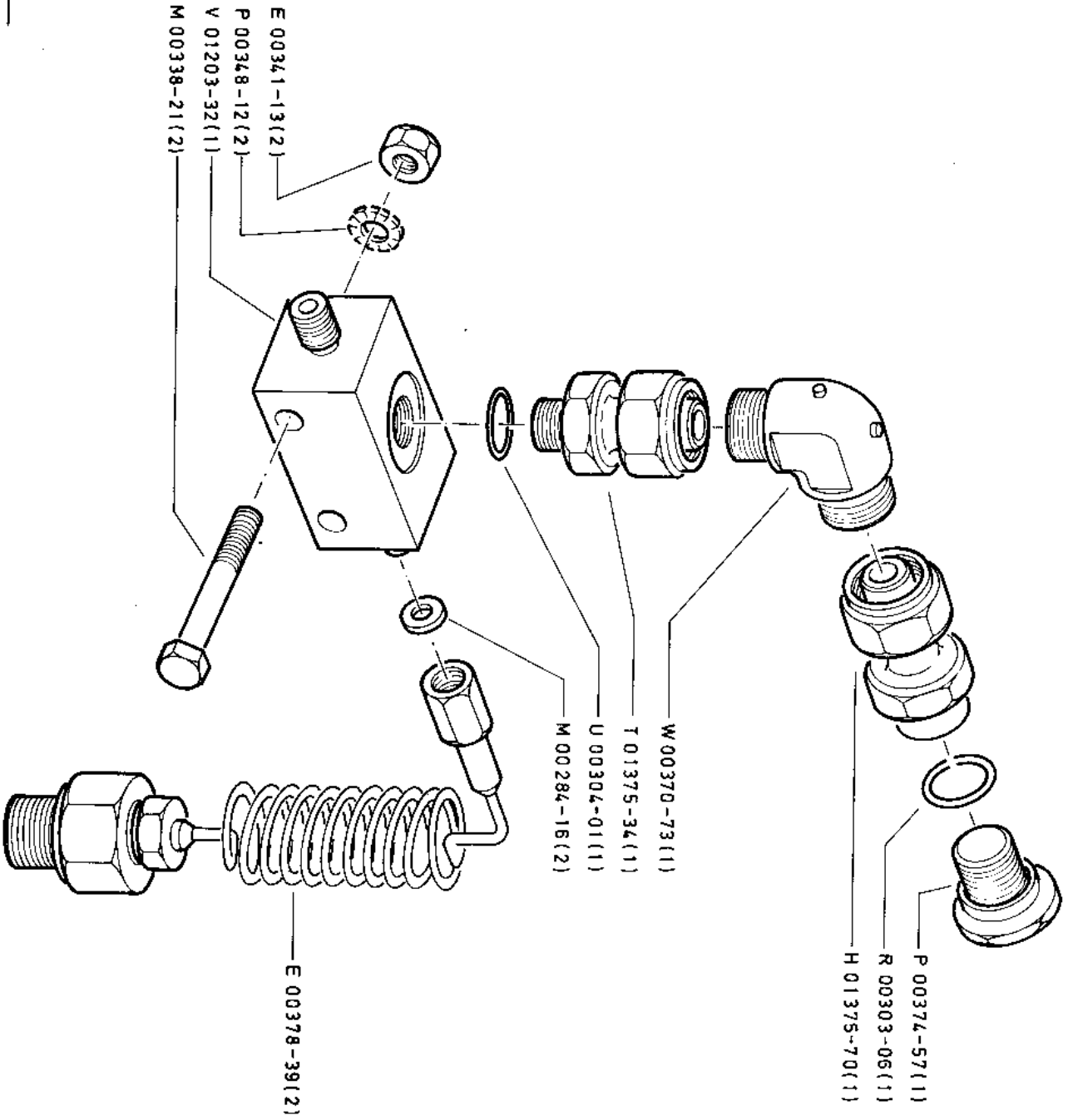
XXX XXX-XX
 COMPLEMENT ROTATION FREEMEE

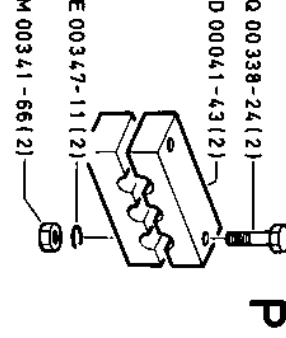
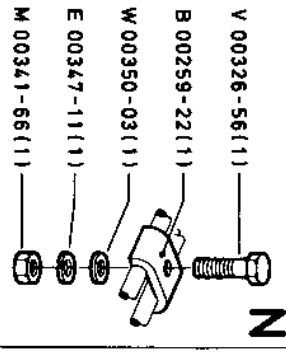
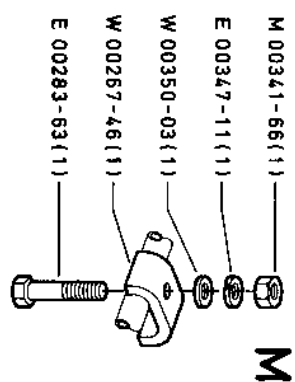
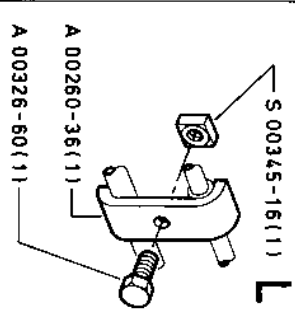
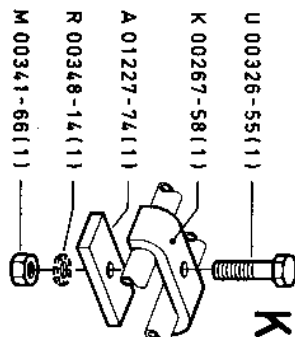
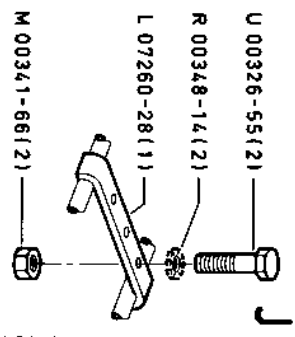
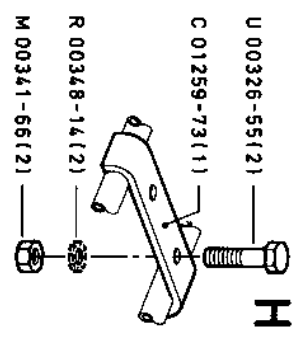
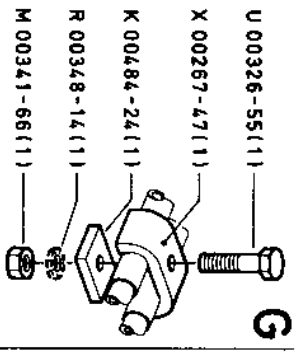
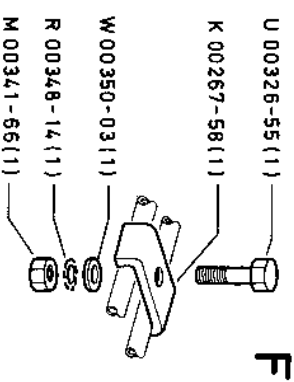
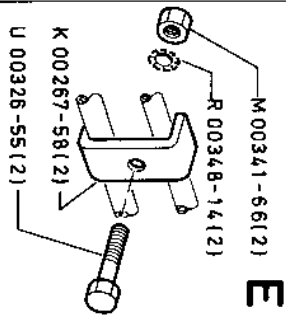
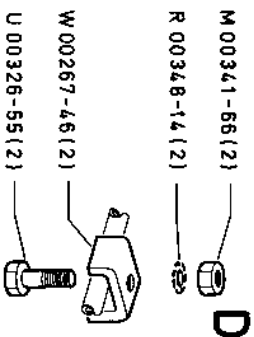
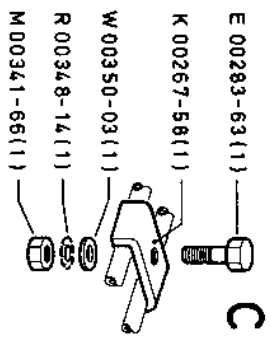
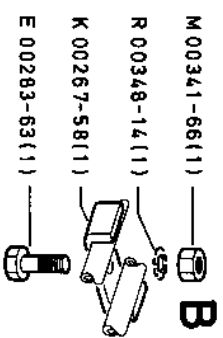
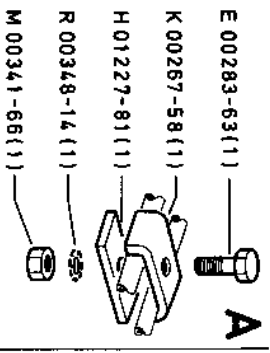
F12 M01.0

1 - 76

XXXXXX-XX

CIRCUIT D'ALIMENTATION MANOMETRE
 PRESSURE GAUGE CONNECTION
 MANOMETERANSCHLUSS
 FACOR MANOMETRO





A00 437 - 69

MOTEUR HYDRAULIQUE NU
 BASIC HYDRAULIC MOTOR
 HYDRAULIK MOTOR ALLEIN
 MOTOR HIDRAULICO

□ H 01 437-80

E 00 347-11 (8)
 R 00 336-25 (8)
 R 00 236-59 (4)
 V 00 338-29 (M)

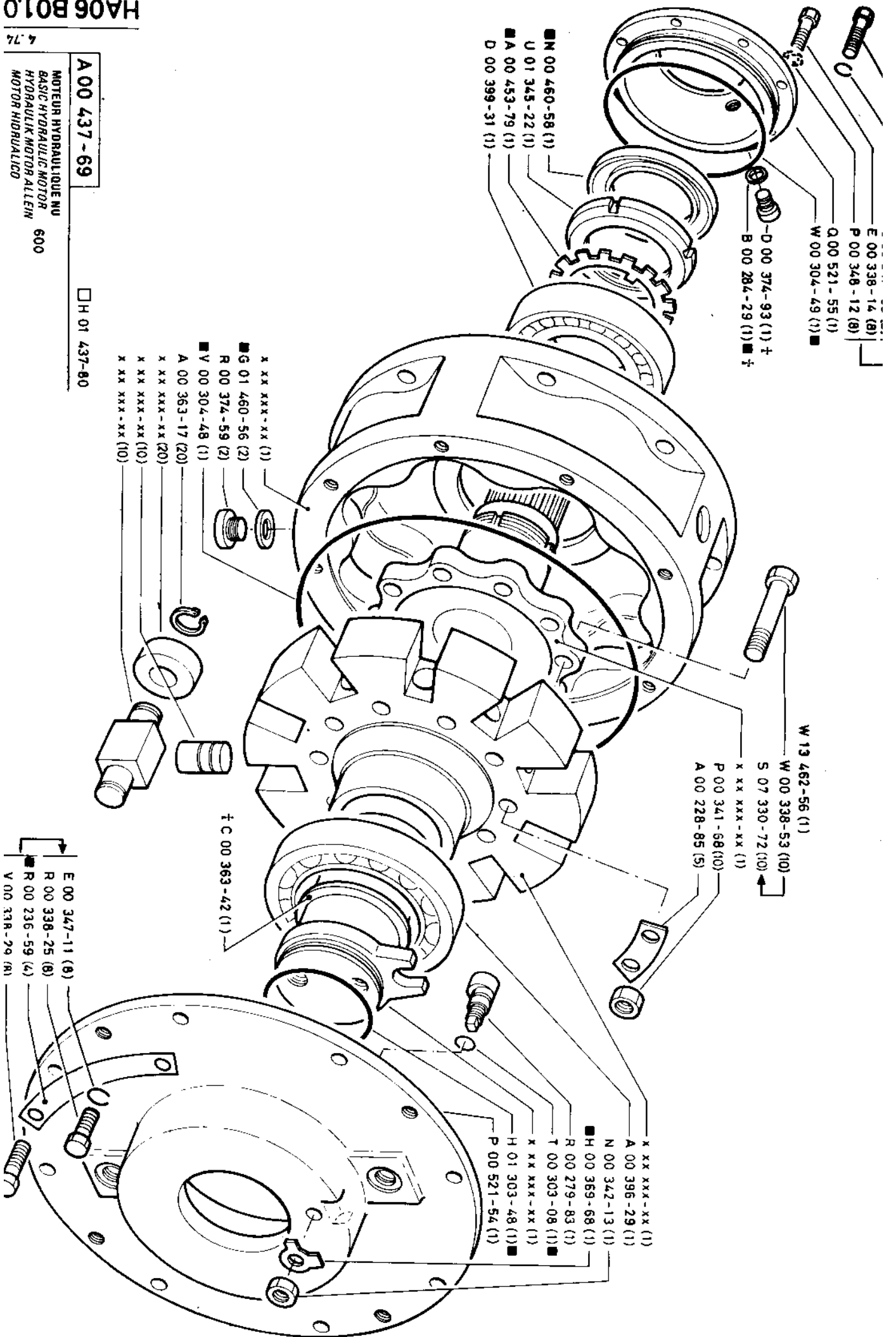
- E 00 338-14 (8)
- P 00 348-12 (8)
- Q 00 521-55 (1)
- W 00 304-49 (1)
- D 00 374-93 (1) †
- B 00 284-29 (1) †
- N 00 460-58 (1)
- U 01 345-22 (1)
- A 00 453-79 (1)
- D 00 399-31 (1)

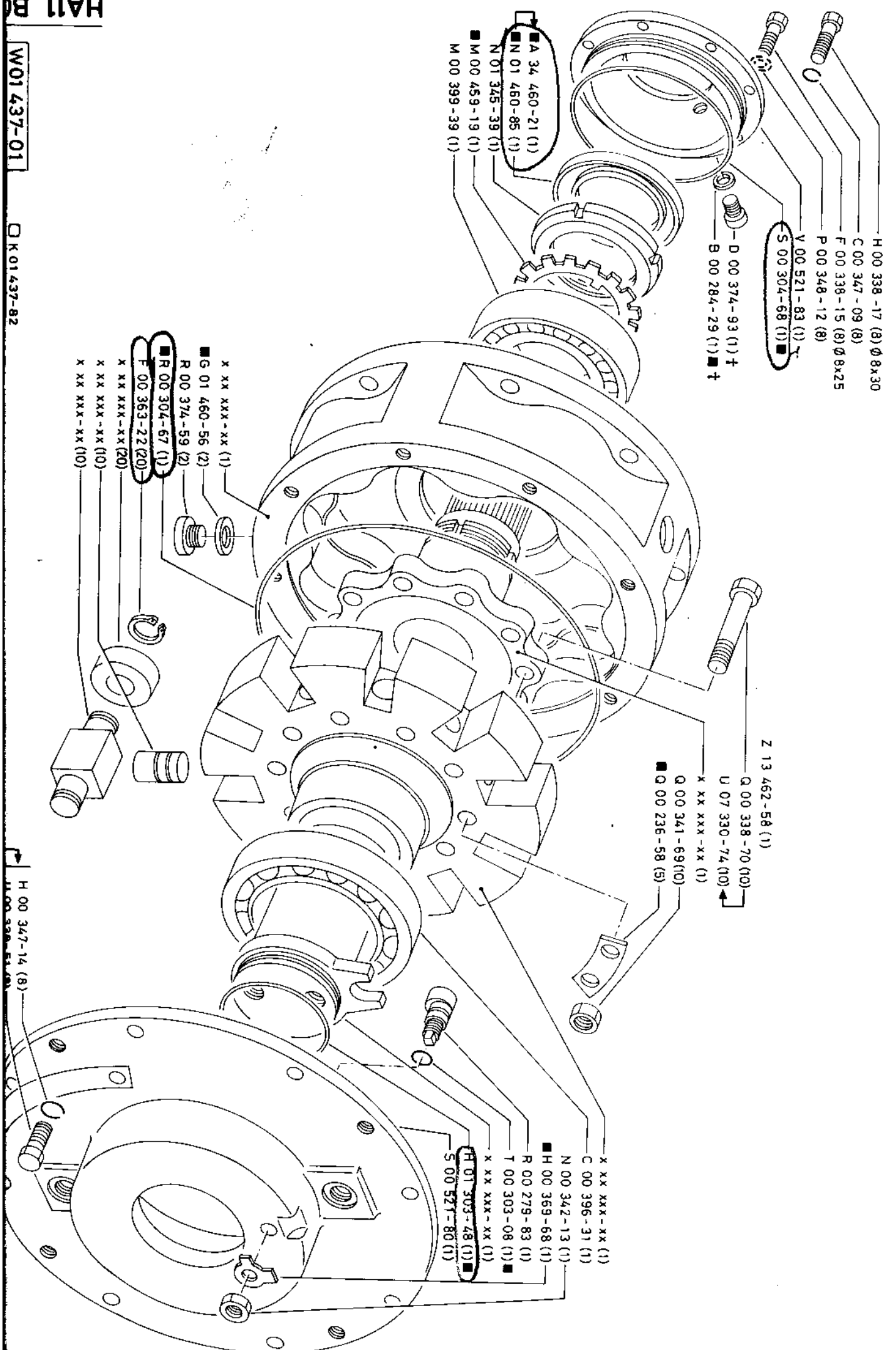
- x xx xxx-xx (1)
- G 01 460-56 (2)
- R 00 374-59 (2)
- V 00 304-48 (1)
- A 00 363-17 (20)
- x xx xxx-xx (20)
- x xx xxx-xx (10)
- x xx xxx-xx (10)

- W 13 462-56 (1)
- W 00 338-53 (10)
- S 07 330-72 (10)
- x xx xxx-xx (1)
- P 00 341-68 (10)
- A 00 228-95 (5)

- x xx xxx-xx (1)
- A 00 396-29 (1)
- N 00 342-13 (1)
- H 00 369-68 (1)
- R 00 279-83 (1)
- T 00 303-08 (1)
- x xx xxx-xx (1)
- x xx xxx-xx (1)
- H 01 303-48 (1)
- P 00 521-54 (1)

† C 00 363-42 (1)





- H 00 338 -17 (8) Ø 8x30
- C 00 347 - 09 (8)
- F 00 338 -15 (8) Ø 8x25
- P 00 348 -12 (8)
- Y 00 521 -83 (1) †
- S 00 304 -68 (1) †

- D 00 374 -93 (1) †
- B 00 284 -29 (1) †

- A 34 460 -21 (1)
- N 01 460 -85 (1)
- N 01 345 -39 (1)
- M 00 459 -19 (1)
- M 00 399 -39 (1)

- Z 13 462 -58 (1)
- Q 00 338 -70 (10)
- U 07 330 -74 (10)
- X XX XXX -XX (1)
- Q 00 341 -69 (10)
- Q 00 236 -58 (5)

- X XX XXX -XX (1)
- G 01 460 -56 (2)
- R 00 374 -59 (2)
- R 00 304 -67 (1)
- F 00 363 -22 (20)
- X XX XXX -XX (20)
- X XX XXX -XX (10)
- X XX XXX -XX (10)

- X XX XXX -XX (1)
- C 00 396 -31 (1)
- N 00 342 -13 (1)
- H 00 369 -68 (1)
- R 00 279 -83 (1)
- T 00 303 -08 (1)
- X XX XXX -XX (1)
- H 01 303 -48 (1)
- S 00 521 -80 (1)

M01 437-38

□ K 01 437-82

MOTEUR HYDRAULIQUE NU
 BASIC HYDRAULIC MOTOR
 HYDRAULIK MOTOR ALLEM
 MOTOR HIDRAULICO

1100 CCRD

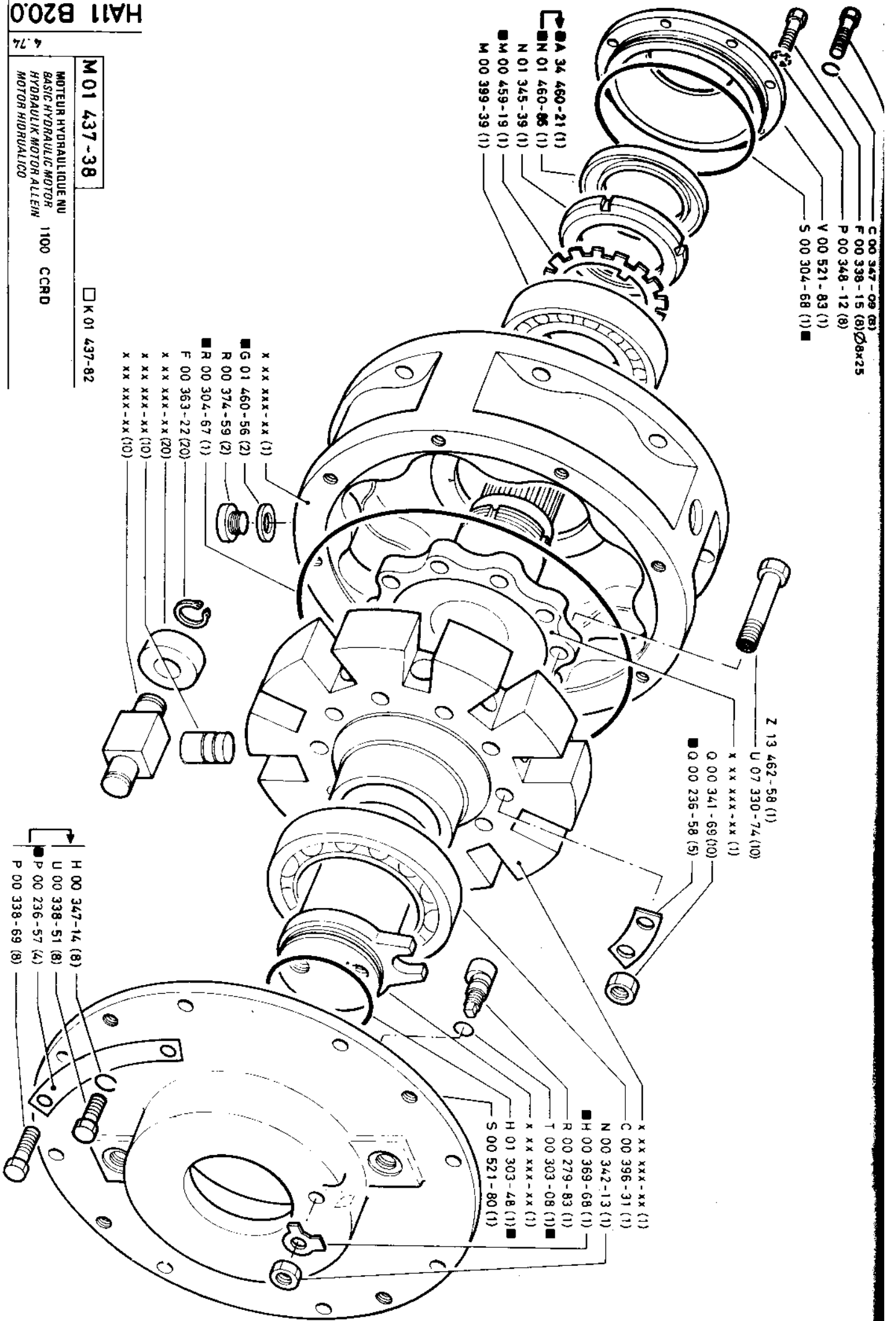
- ▶ A 34 460-21 (1)
- M 01 460-66 (1)
- N 01 345-39 (1)
- M 00 459-19 (1)
- M 00 399-39 (1)
- C 00 347-09 (8)
- F 00 338-15 (8) Ø8x25
- P 00 348-12 (8)
- Y 00 521-83 (1)
- S 00 304-68 (1) ■

- x xx xxx-xx (1)
- G 01 460-56 (2)
- R 00 374-59 (2)
- R 00 304-67 (1)
- F 00 363-22 (20)
- x xx xxx-xx (10)
- x xx xxx-xx (10)
- x xx xxx-xx (10)

- Z 13 462-58 (1)
- U 07 330-74 (10)
- x xx xxx-xx (1)
- Q 00 341-69 (10)
- Q 00 236-58 (5)

- x xx xxx-xx (1)
- C 00 396-31 (1)
- N 00 342-13 (1)
- H 00 369-68 (1)
- R 00 279-83 (1)
- T 00 303-08 (1) ■
- x xx xxx-xx (1)
- H 01 303-48 (1) ■
- S 00 521-80 (1)

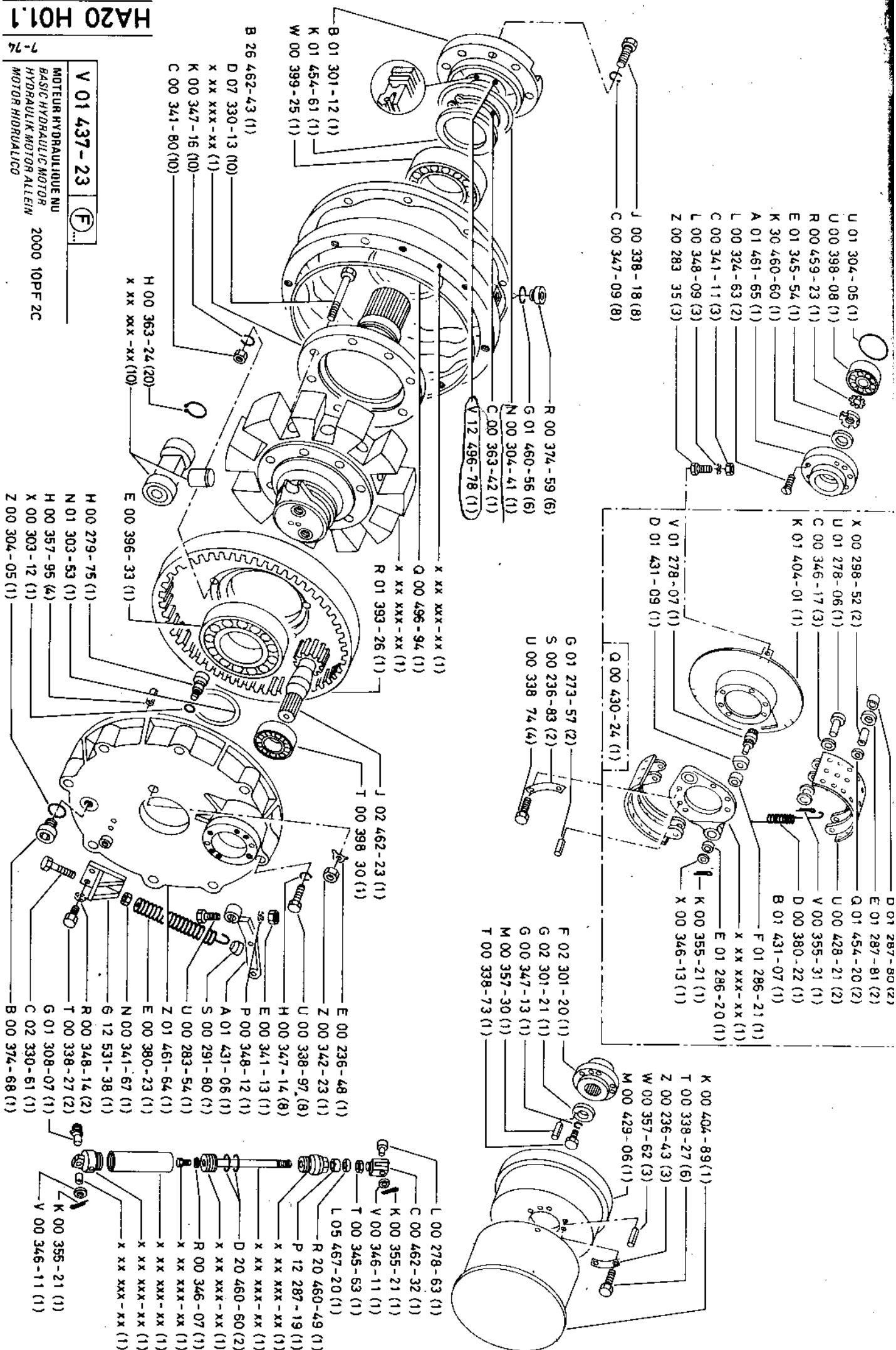
- H 00 347-14 (8)
- U 00 338-51 (8)
- P 00 236-57 (4)
- P 00 338-69 (8)



HA20 H01.1

7-76

V 01 437-23 (F) ...
 MOTEUR HYDRAULIQUE NU
 BASIC HYDRAULIC MOTOR
 HYDRAULIK MOTOR ALLEN
 MOTOR HIDRAULICO
 2000 10PF-2C



- U 01 304-05 (1)
- U 00 398-08 (1)
- R 00 459-23 (1)
- E 01 345-54 (1)
- K 30 460-60 (1)
- A 01 461-65 (1)
- L 00 324-63 (2)
- C 00 341-11 (3)
- L 00 348-09 (3)
- Z 00 283 35 (3)
- J 00 338-18 (8)
- C 00 347-09 (8)

- X 00 298-52 (2)
- U 01 278-06 (1)
- C 00 346-17 (3)
- K 01 404-01 (1)
- D 01 297-80 (2)
- E 01 287-81 (2)
- Q 01 454-20 (2)
- U 00 428-21 (2)
- V 00 355-31 (1)
- D 00 380-22 (1)
- B 01 431-07 (1)
- F 01 286-21 (1)
- X XX XXX-XX (1)
- E 01 286-20 (1)
- K 00 355-21 (1)
- X 00 346-13 (1)
- V 01 278-07 (1)
- D 01 431-09 (1)
- Q 00 430-24 (1)

- G 01 273-57 (2)
- S 00 236-83 (2)
- U 00 338 74 (4)

- F 02 301-20 (1)
- G 02 301-21 (1)
- G 00 347-13 (1)
- M 00 357-30 (1)
- T 00 338-73 (1)

- K 00 404-89 (1)
- T 00 338-27 (6)
- Z 00 236-43 (3)
- W 00 357-62 (3)
- M 00 429-06 (1)

- B 01 301-12 (1)
- K 01 454-61 (1)
- W 00 399-25 (1)

- B 26 462-43 (1)
- D 07 330-13 (10)
- X XX XXX-XX (1)
- K 00 347-16 (10)
- C 00 341-80 (10)

- H 00 363-24 (20)
- X XX XXX-XX (10)

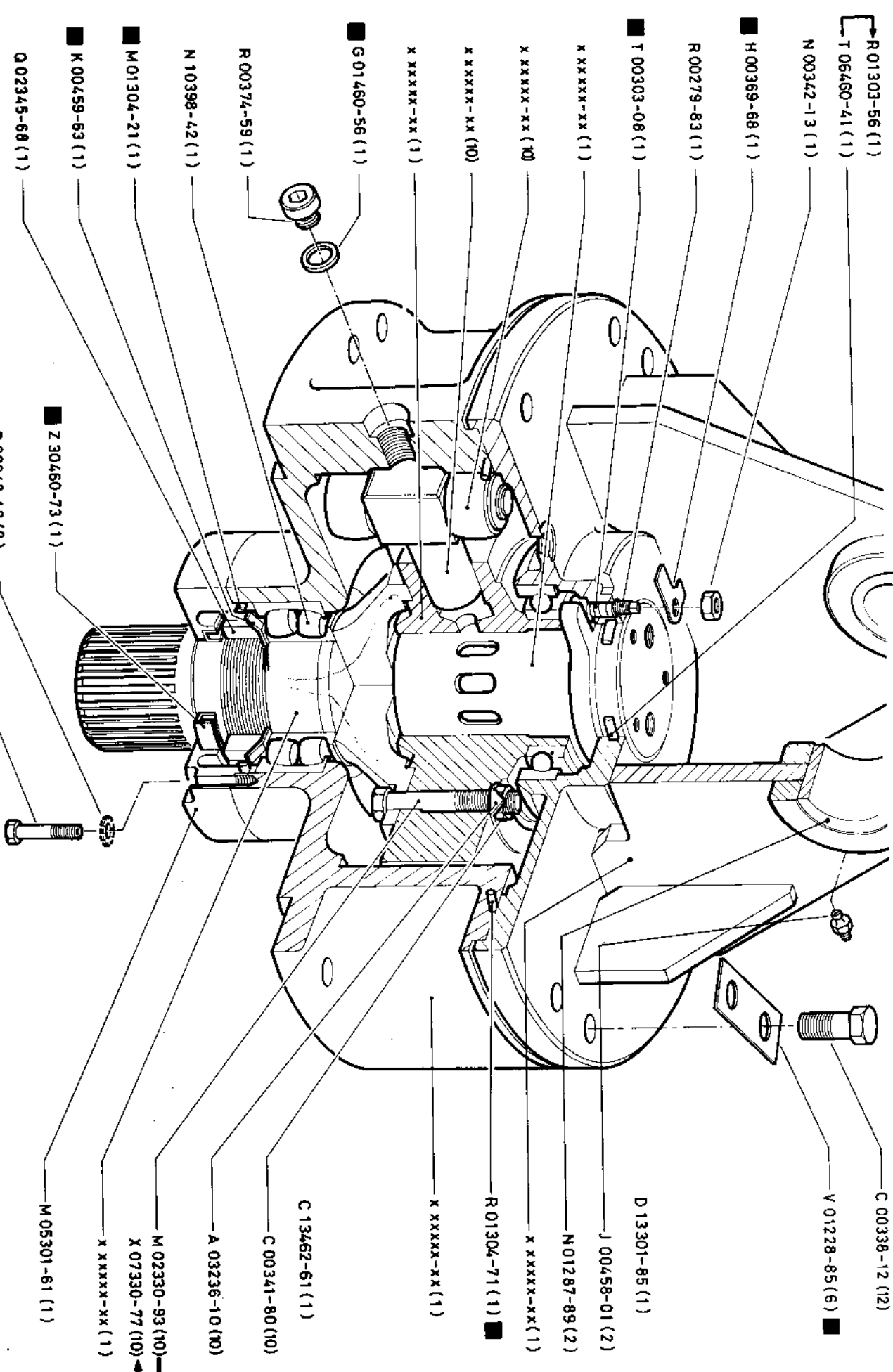
- X XX XXX-XX (1)
- Q 00 496-94 (1)
- X XX XXX-XX (1)
- R 01 393-26 (1)

- J 02 462-23 (1)
- T 00 398 30 (1)

- H 00 279-75 (1)
- N 01 303-53 (1)
- H 00 357-95 (4)
- X 00 303-12 (1)
- Z 00 304-05 (1)

- E 00 236-48 (1)
- Z 00 342-23 (1)
- U 00 338-97 (8)
- H 00 347-14 (8)
- E 00 341-13 (1)
- P 00 348-12 (1)
- A 01 431-06 (1)
- S 00 291-80 (1)
- U 00 283-54 (1)
- Z 01 461-64 (1)
- E 00 380-23 (1)
- N 00 341-67 (1)
- G 12 531-38 (1)
- R 00 348-14 (2)
- T 00 338-27 (2)
- G 01 308-07 (1)
- C 02 330-61 (1)
- B 00 374-68 (1)

- L 00 278-63 (1)
- C 00 462-32 (1)
- K 00 355-21 (1)
- V 00 346-11 (1)
- T 00 345-63 (1)
- L 05 467-20 (1)
- R 20 460-49 (1)
- P 12 287-19 (1)
- X XX XXX-XX (1)
- X XX XXX-XX (1)
- X XX XXX-XX (1)
- D 20 460-60 (2)
- R 00 346-07 (1)
- X XX XXX-XX (1)
- X XX XXX-XX (1)
- X XX XXX-XX (1)
- X XX XXX-XX (1)
- X XX XXX-XX (1)
- K 00 355-21 (1)
- V 00 346-11 (1)



- R 01303-56 (1)
- T 06460-41 (1)
- N 00342-13 (1)
- H 00369-68 (1)
- R 00279-83 (1)
- T 00303-08 (1)
- X XXXXX-XX (1)
- X XXXXX-XX (10)
- X XXXXX-XX (1)
- G 01460-56 (1)
- R 00374-59 (1)
- N 10398-42 (1)
- M 01304-21 (1)
- K 00459-63 (1)
- Q 02345-68 (1)
- Z 30460-73 (1)
- P 00348-12 (8)
- U 00283-54 (8)
- C 00338-12 (12)
- V 01228-85 (6)
- D 13301-85 (1)
- J 00458-01 (2)
- N 01287-89 (2)
- X XXXXX-XX (1)
- R 01304-71 (1)
- X XXXXX-XX (1)
- C 13462-61 (1)
- C 00341-80 (10)
- A 03236-10 (10)
- M 02330-93 (10)
- X 07330-77 (10)
- X XXXXX-XX (1)
- M 05301-61 (1)

HA28 B7

S 02437-24 □ N 01437-95

MOTEUR HYDRAULIQUE NU

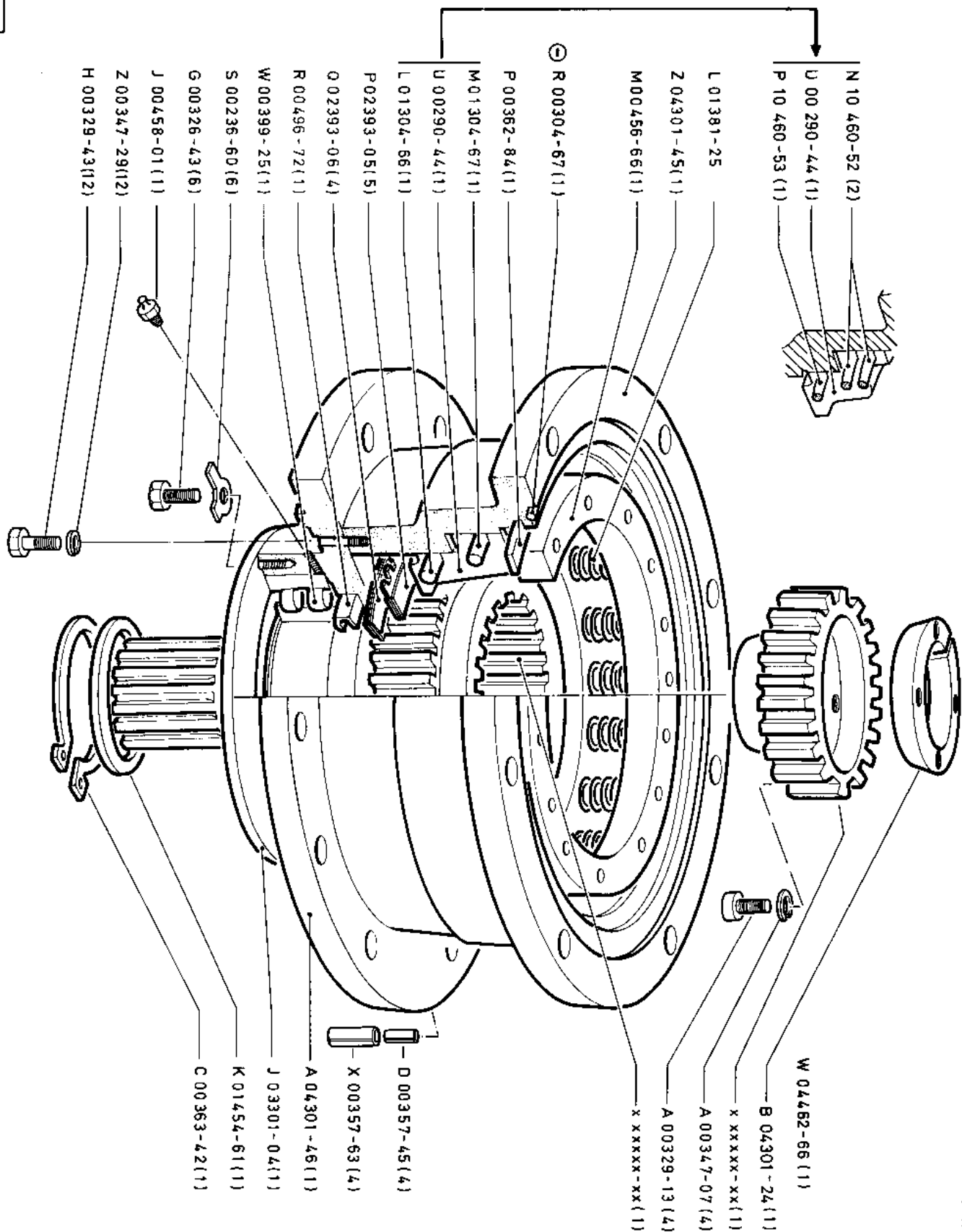
U 00283-54 (8)

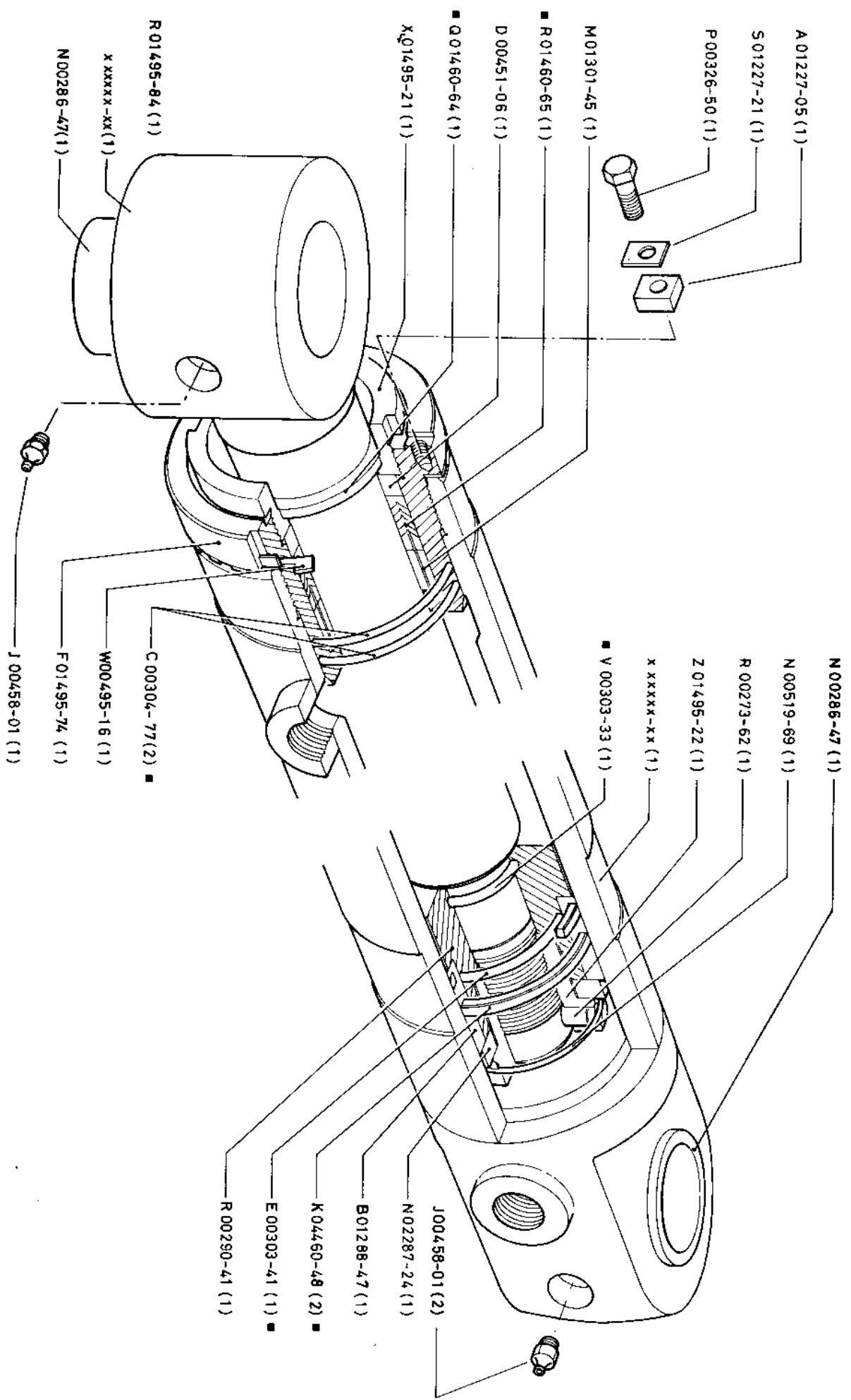
HB11 B01.0

7 - 76

P 00430 - 46

FREIN MOTEUR HYDRAULIQUE
 HYDRAULIC MOTOR BRAKE 1100
 BREMSE FUER HYDRAULIK MOTOR
 FRENO DE MOTOR HIDRAULICO

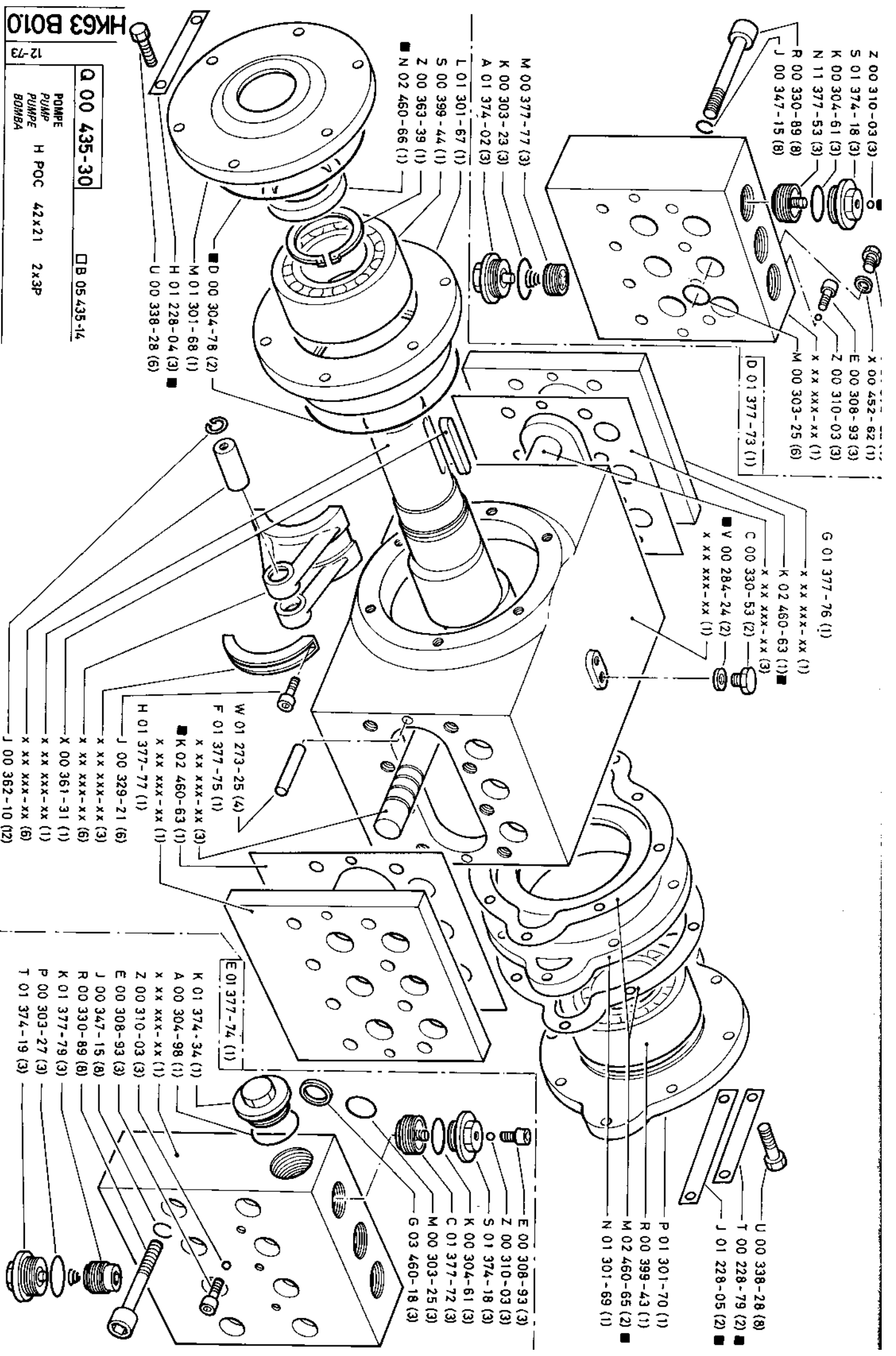




A03467-02 (E) □ A 05460-66

VERBODEN
CYLINDER

HI/2 A01



- Z 00 310-03 (3)
- S 01 374-18 (3)
- K 00 304-61 (3)
- N 11 377-53 (3)
- R 00 330-89 (8)
- J 00 347-15 (8)
- X 00 452-62 (1)
- E 00 308-93 (3)
- Z 00 310-03 (3)
- X xx xxx-xx (1)
- M 00 303-25 (6)
- D 01 377-73 (1)

- G 01 377-76 (1)
- X xx xxx-xx (1)
- K 02 460-63 (1)
- X xx xxx-xx (3)
- C 00 330-53 (2)
- V 00 284-24 (2)
- X xx xxx-xx (1)

- M 00 377-77 (3)
- K 00 303-23 (3)
- A 01 374-02 (3)
- L 01 301-67 (1)
- S 00 399-44 (1)
- Z 00 363-39 (1)
- N 02 460-66 (1)
- D 00 304-78 (2)
- M 01 301-68 (1)
- H 01 228-04 (3)
- U 00 338-28 (6)

- W 01 273-25 (4)
- F 01 377-75 (1)
- X xx xxx-xx (3)
- K 02 460-63 (1)
- X xx xxx-xx (1)
- H 01 377-77 (1)
- J 00 329-21 (6)
- X xx xxx-xx (3)
- X xx xxx-xx (6)
- X 00 361-91 (1)
- X xx xxx-xx (1)
- X xx xxx-xx (5)
- J 00 362-10 (12)

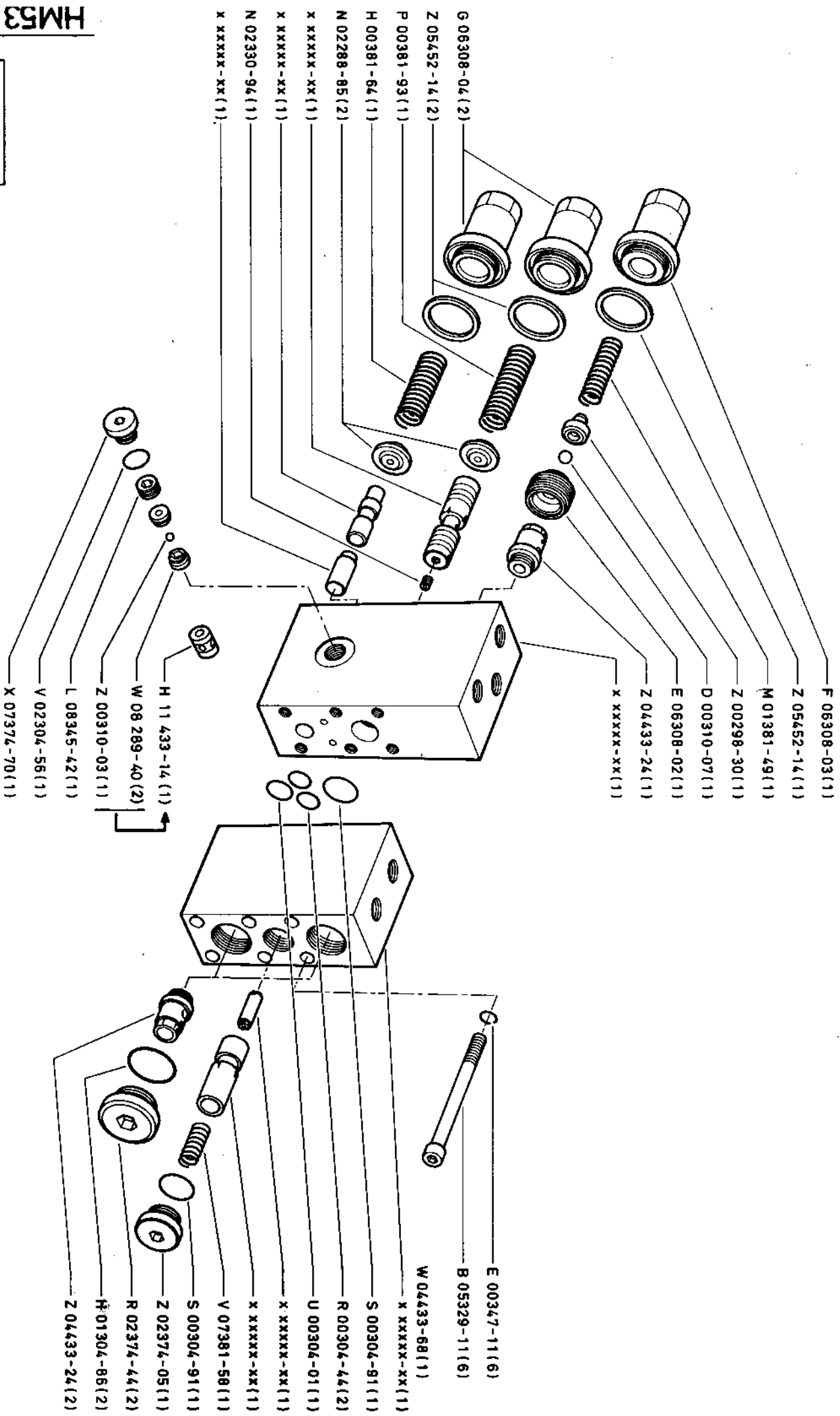
- U 00 338-28 (8)
- T 00 228-79 (2)
- J 01 228-05 (2)
- P 01 301-70 (1)
- R 00 399-43 (1)
- M 02 460-65 (2)
- N 01 301-69 (1)

- E 00 308-93 (3)
- Z 00 310-03 (3)
- S 01 374-18 (3)
- K 00 304-61 (3)
- C 01 377-72 (3)
- M 00 303-25 (3)
- G 03 460-18 (3)

- E 01 377-74 (1)
- K 01 374-34 (1)
- A 00 304-98 (1)
- X xx xxx-xx (1)
- Z 00 310-03 (3)
- E 00 308-93 (3)
- J 00 347-15 (8)
- R 00 330-89 (8)
- K 01 377-79 (3)
- P 00 303-27 (3)
- T 01 374-19 (3)

POMPE		H POC		42x21		2x3P	
PUMPE		H POC		42x21		2x3P	
BOMBA		H POC		42x21		2x3P	
Q 00 435-30		DB 05 435-14					
12-73							

HK63 B010

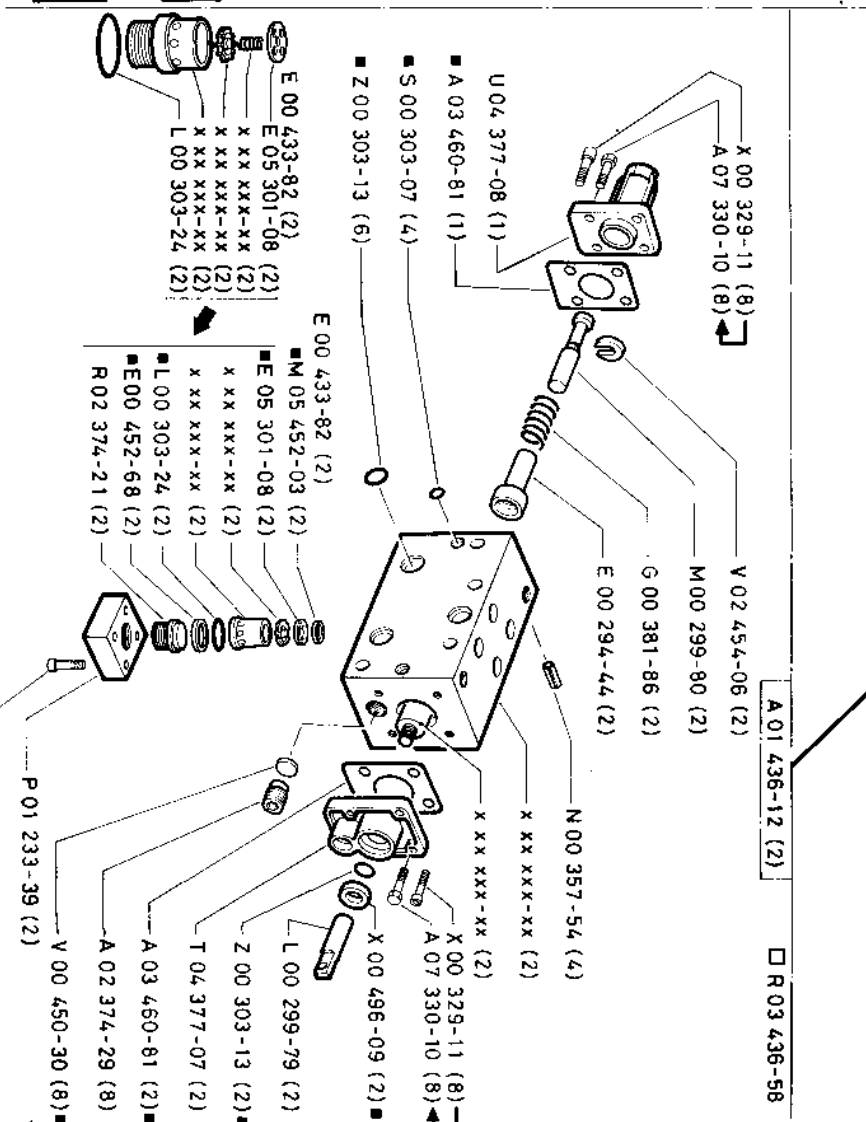
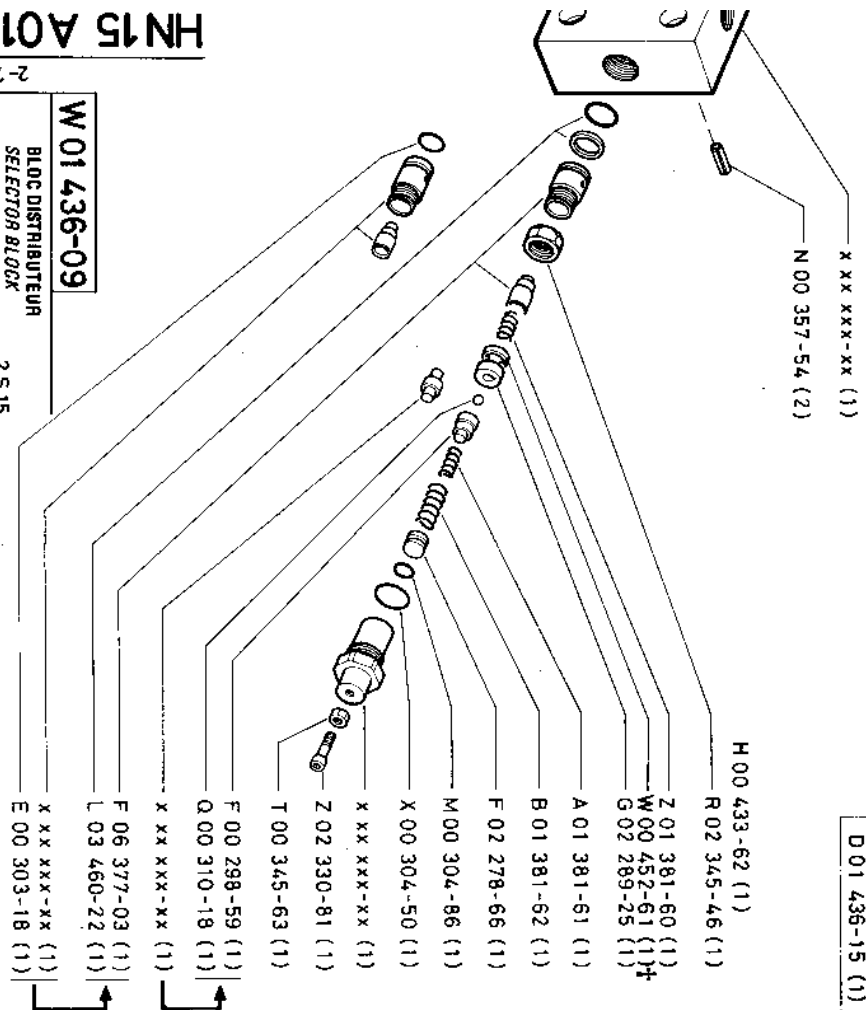
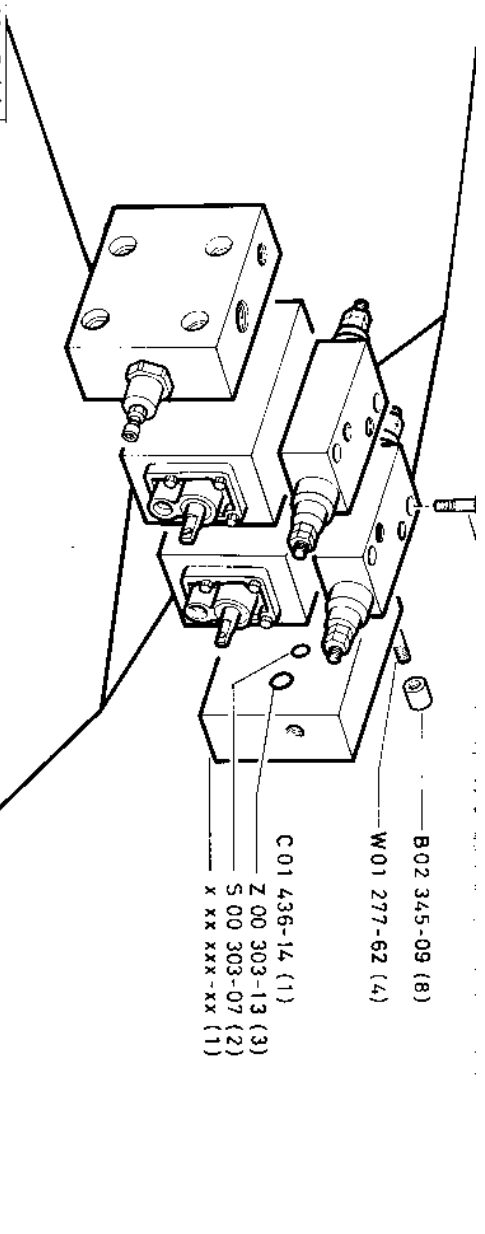
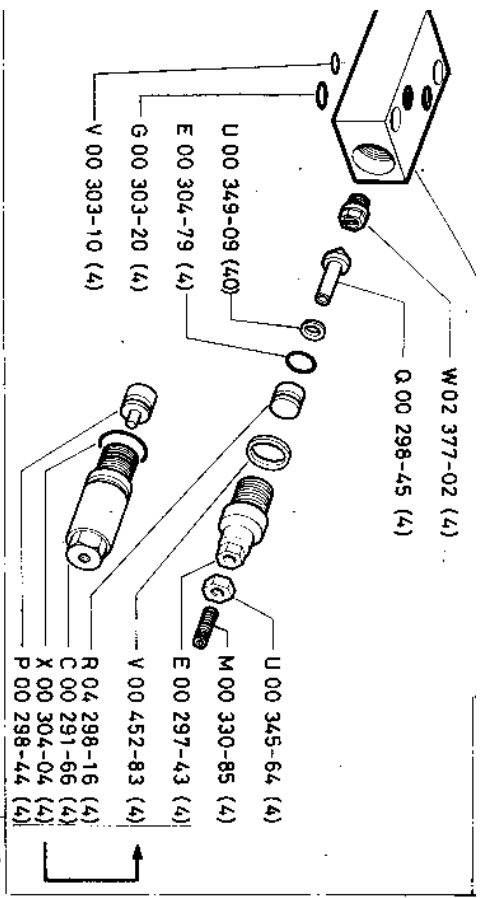


HM53 D03

V 04433-67

BLOC DE COMMANDE
CONTROL BLOCK

OS GX H 10



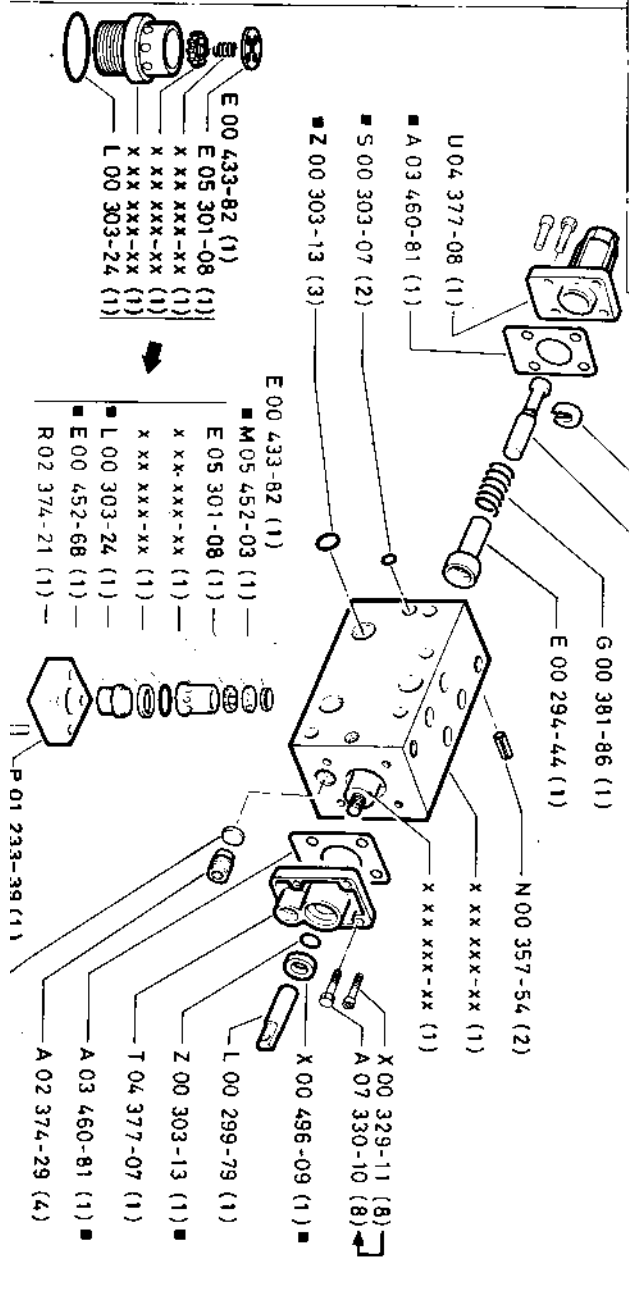
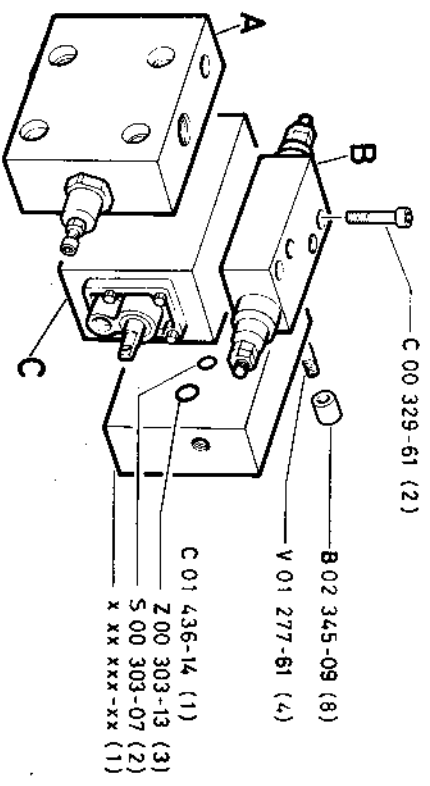
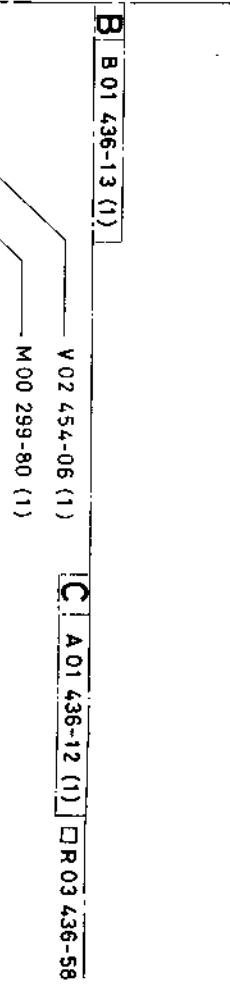
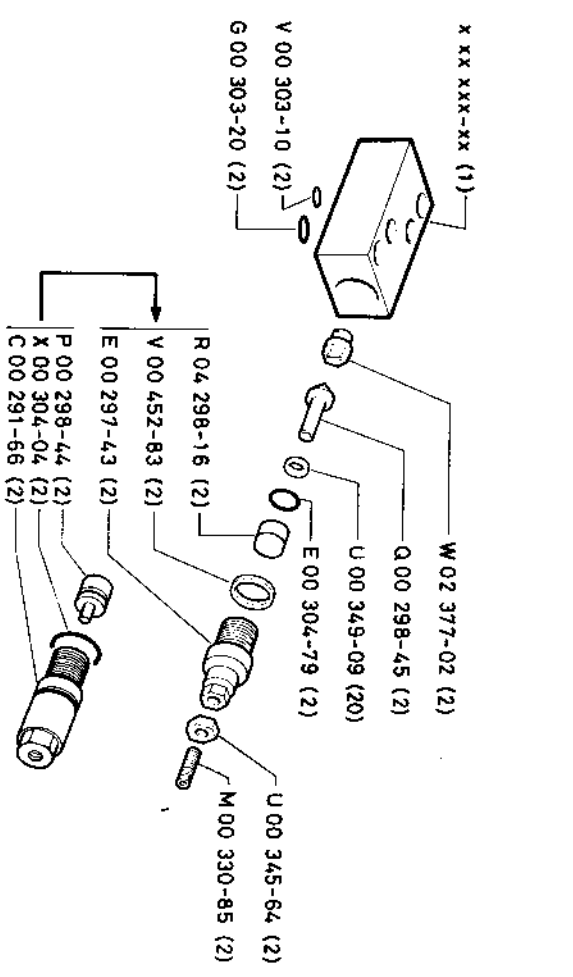
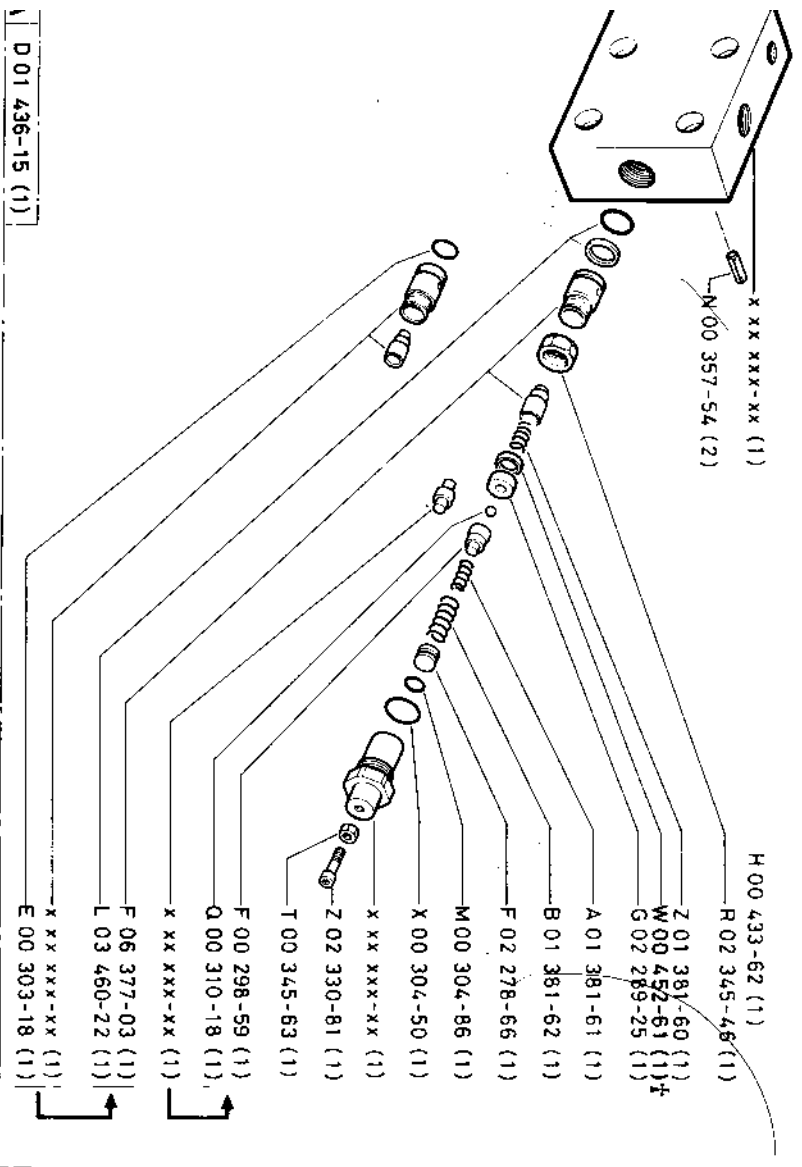
HN15 A01.0

2-74

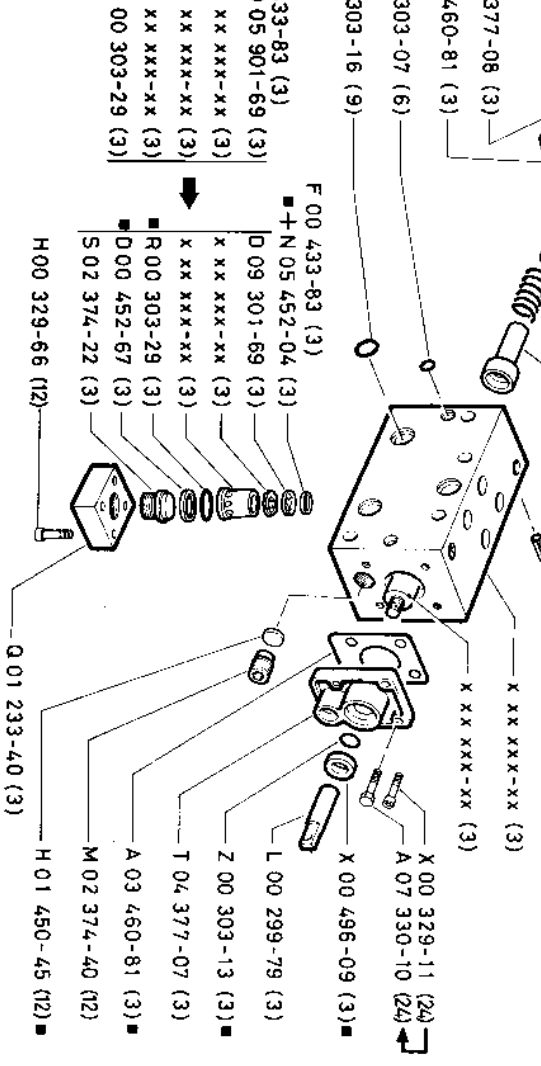
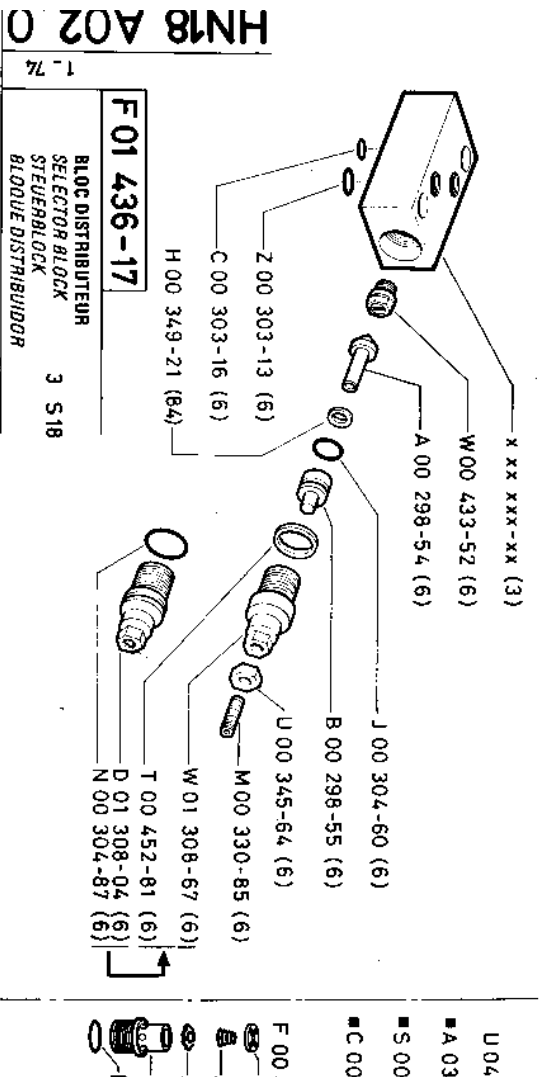
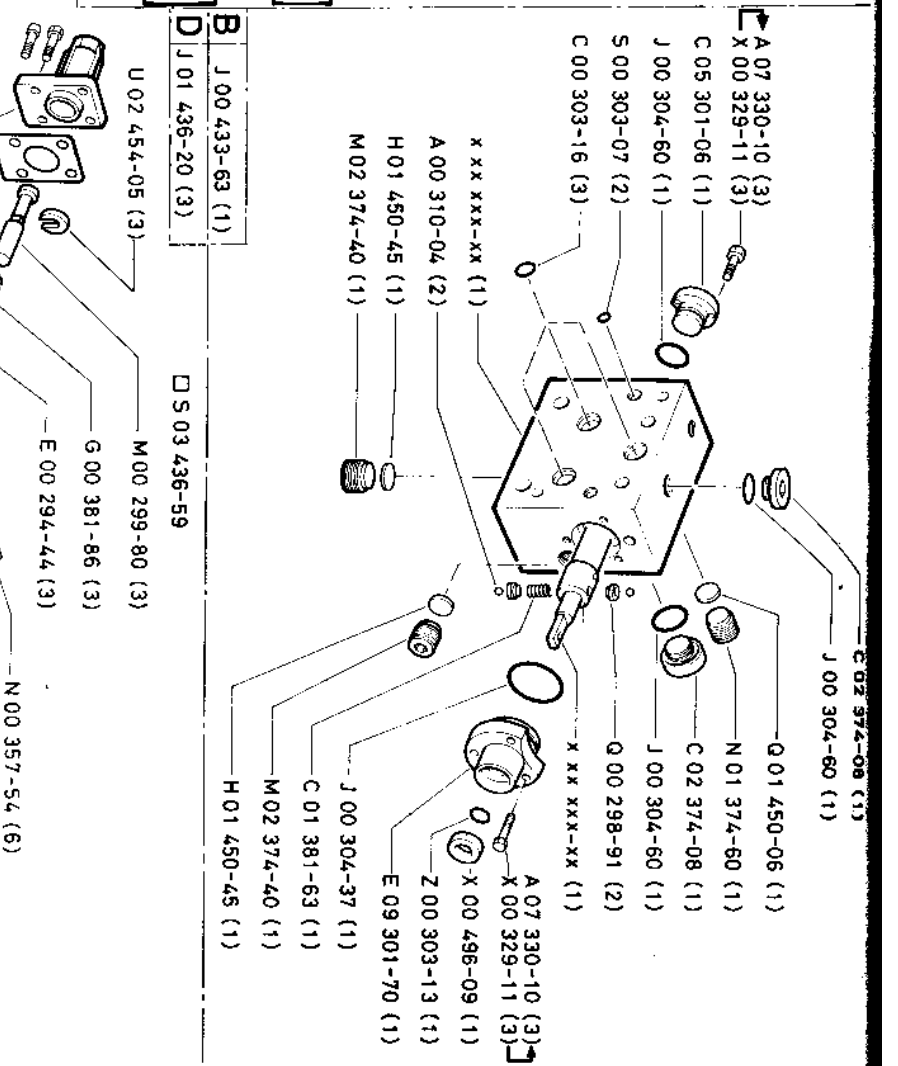
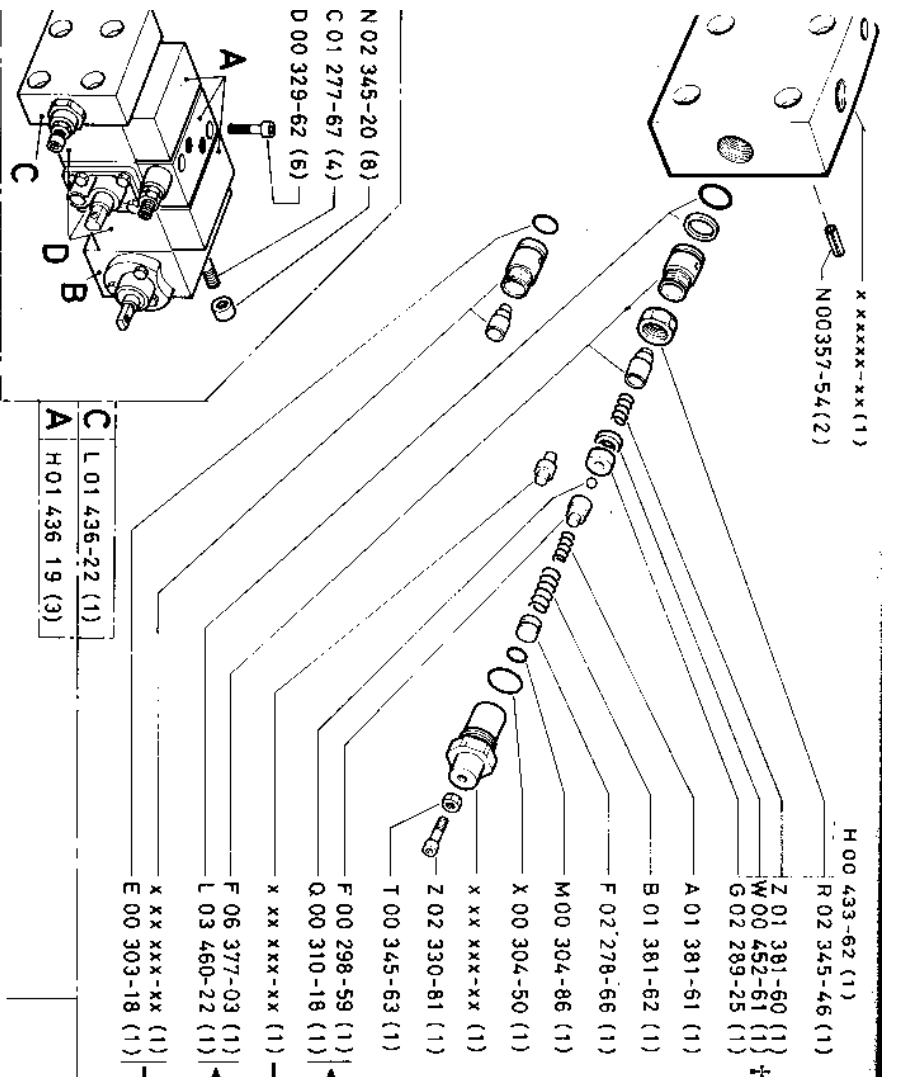
W 01 436-09

BLOC DISTRIBUTEUR
 SELECTOR BLOCK
 STEUERBLOCK
 BLOQUE DISTRIBUION

2 S 15



X 01 436-10
 Bloc distributeur
 Selector block
 15 15

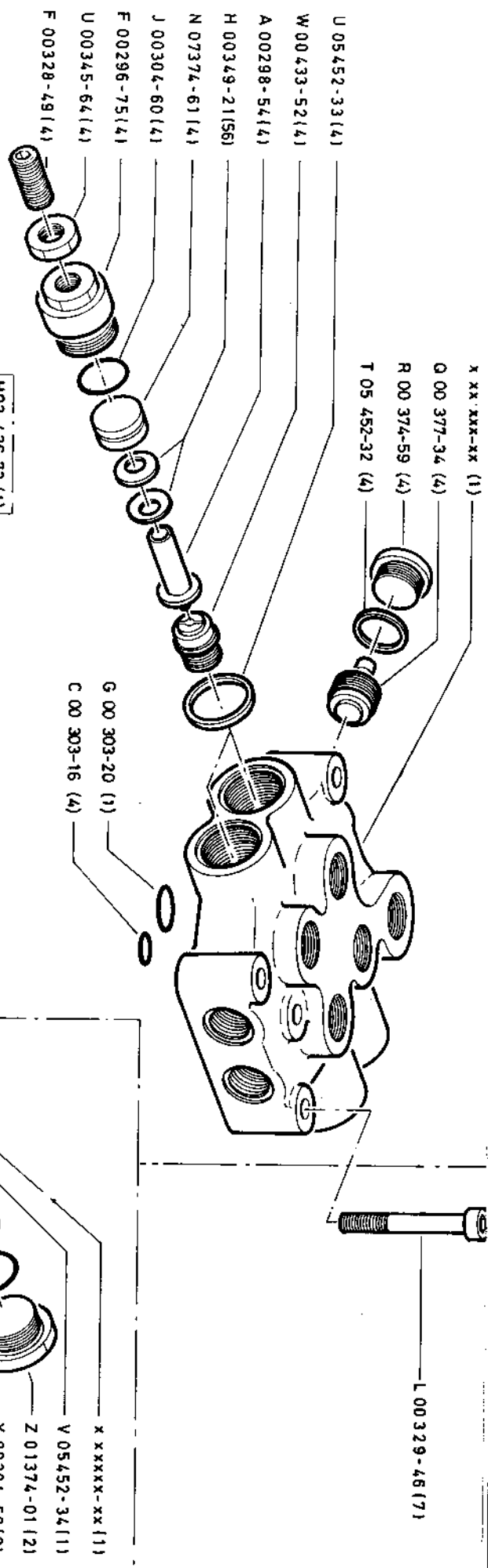


HN18 A02 0

F 01 436-17
 BLOC DISTRIBUTEUR
 SELECTOR BLOCK
 STEUERBLOCK
 BLOQUE DISTRIBUIDOR

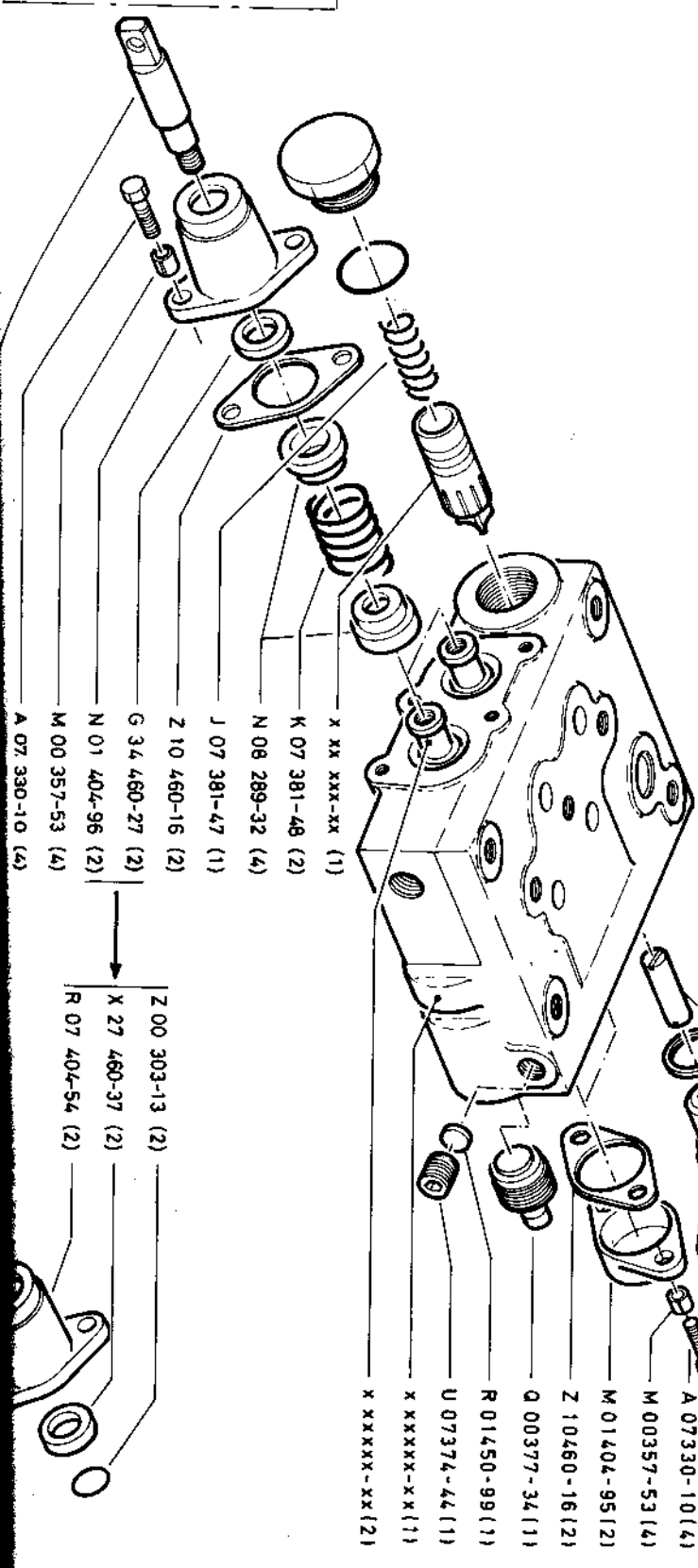
3 S18

1-74



H03 436-73 (1)

K 03 436-75 (1)



J 03436-74

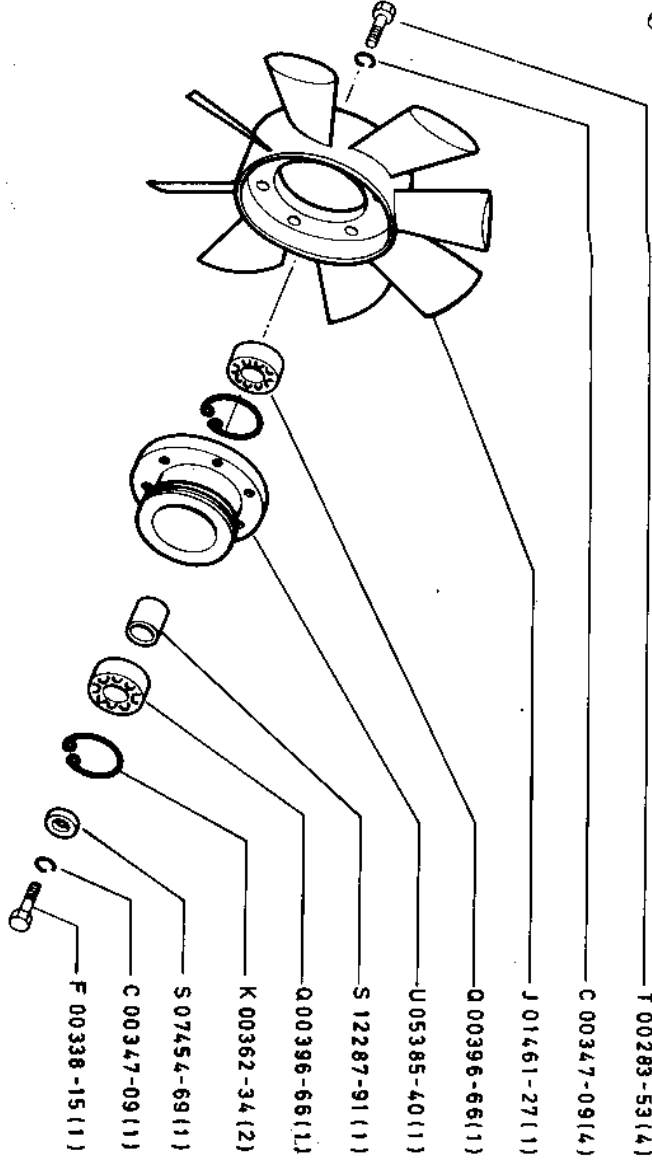
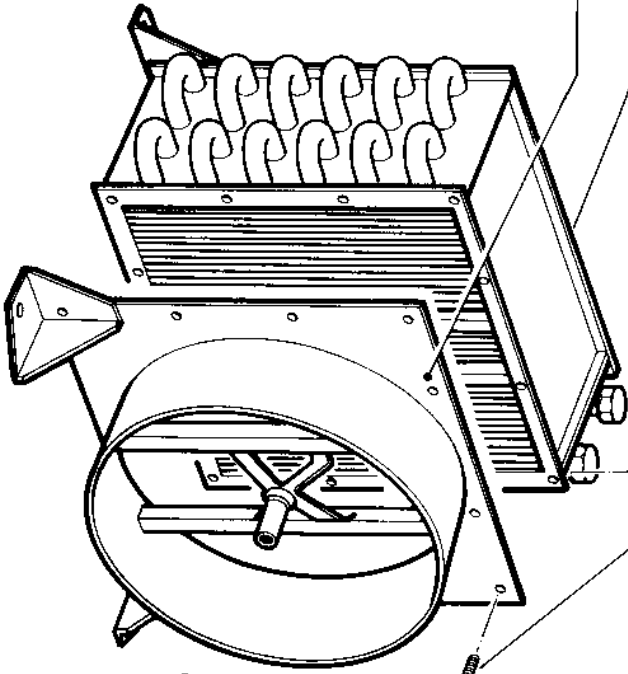
BLOC DISTRIBUTEUR
SELECTOR BLOCK
STUEBERBLOCK
BLOQUE DISTRIBUTORA

2 P 18

HN18 G02C

12-73

V 00283-32(12)
 C 00341-11(12)
 A 00347-07(12)
 V 02377-01(11)
 M01403-80(11)



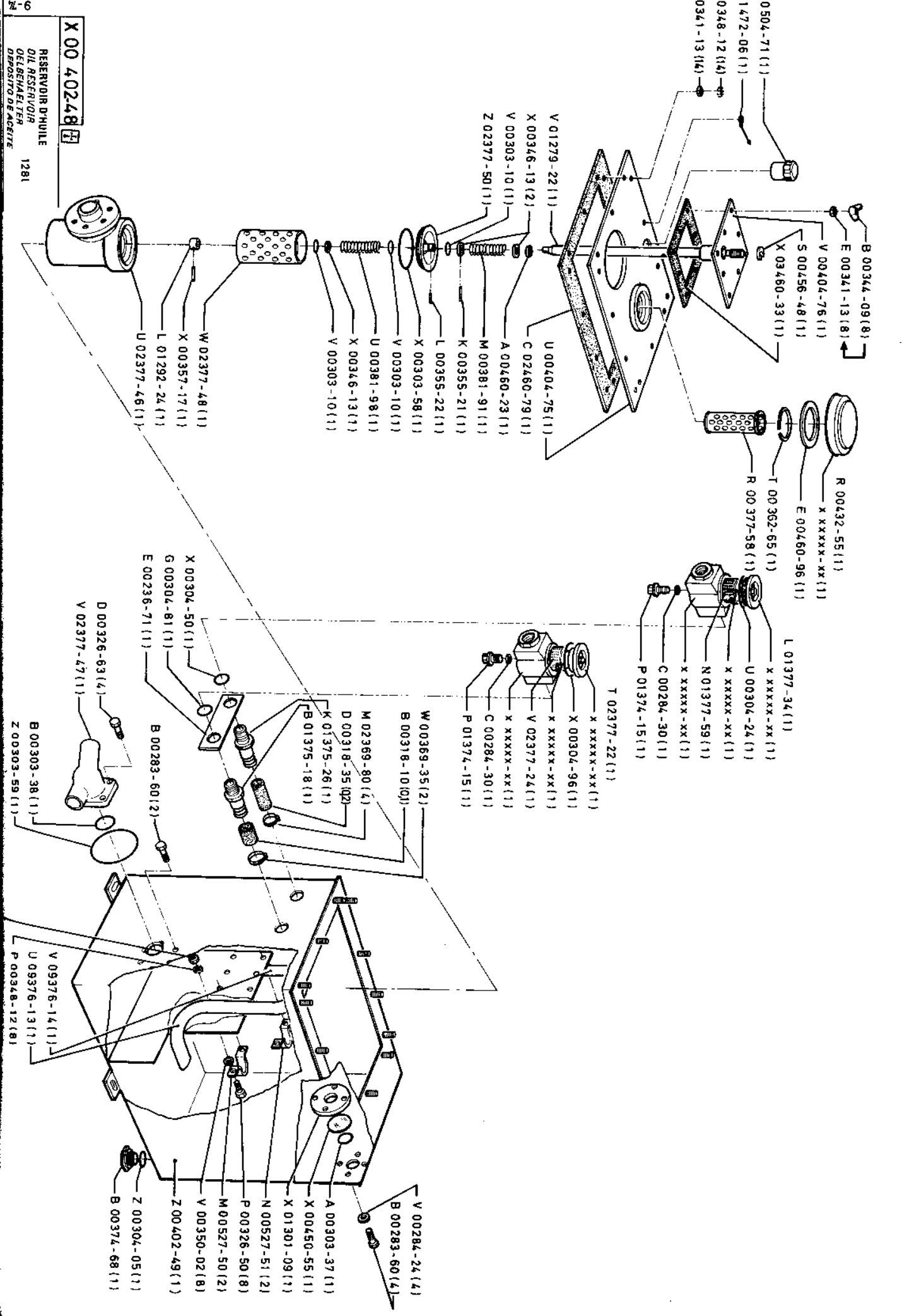
V 11532-16(1)
 T 00283-53(4)
 C 00347-09(4)
 J 01461-27(11)
 Q 00396-66(11)
 U 05385-40(11)
 S 12287-91(11)
 Q 00396-66(11)
 K 00362-34(12)
 S 07454-69(11)
 C 00347-09(11)
 F 00338-15(11)

X X X X X X - X X

REFRIGERANT
 COOLER
 KUEHLER
 REFRIGERADOR

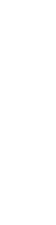
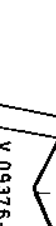
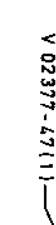
12-72

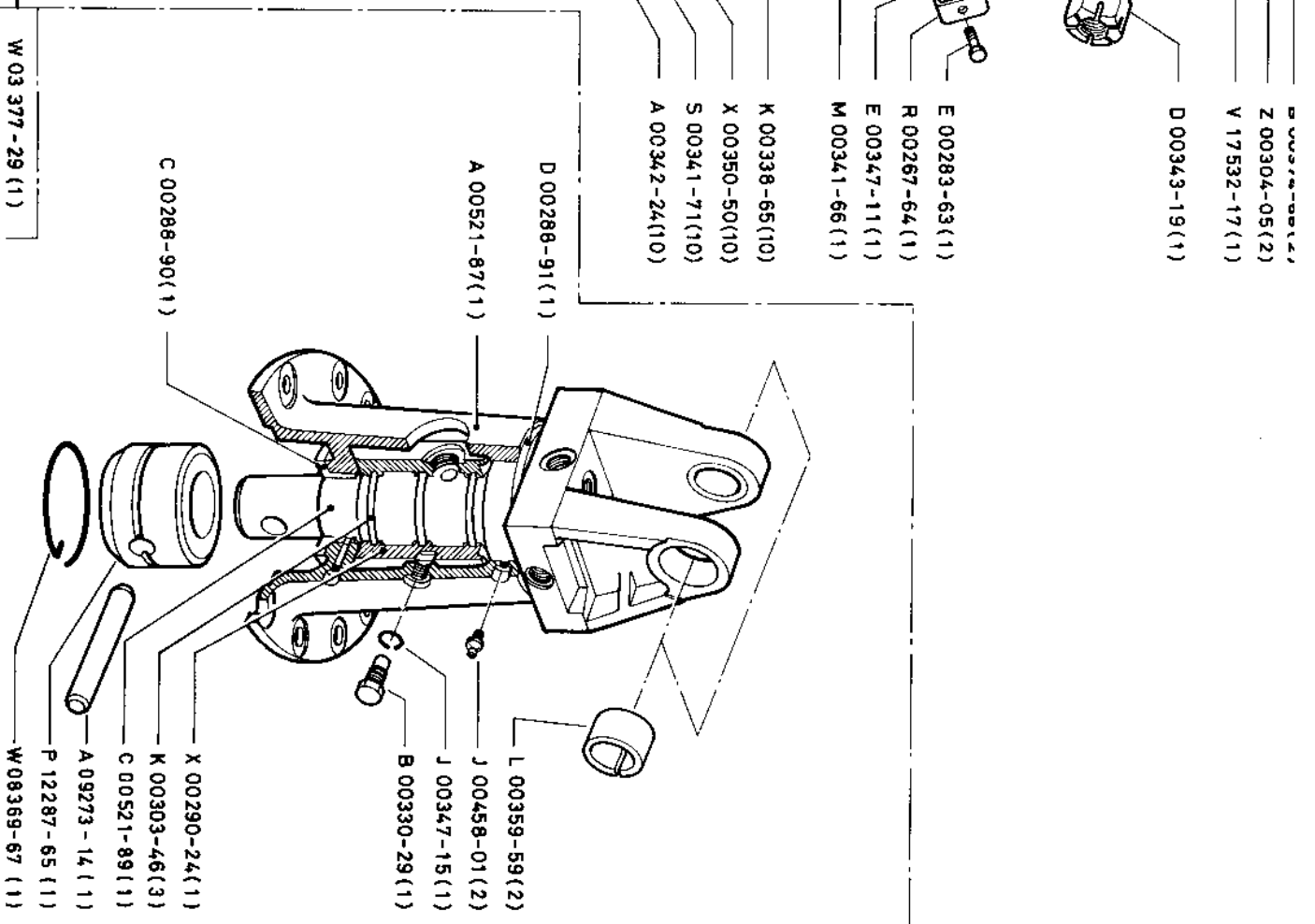
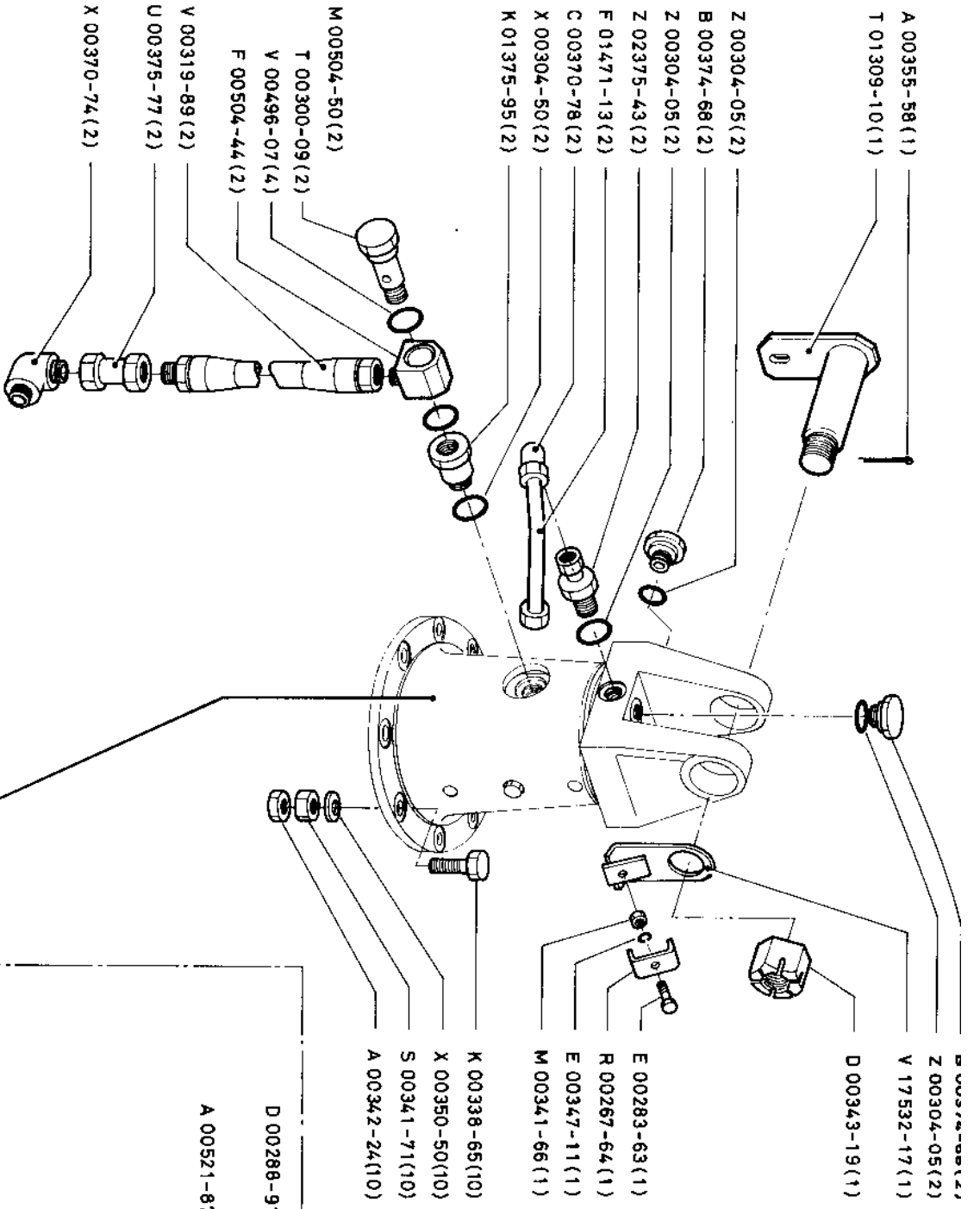
HQ20 B02 2



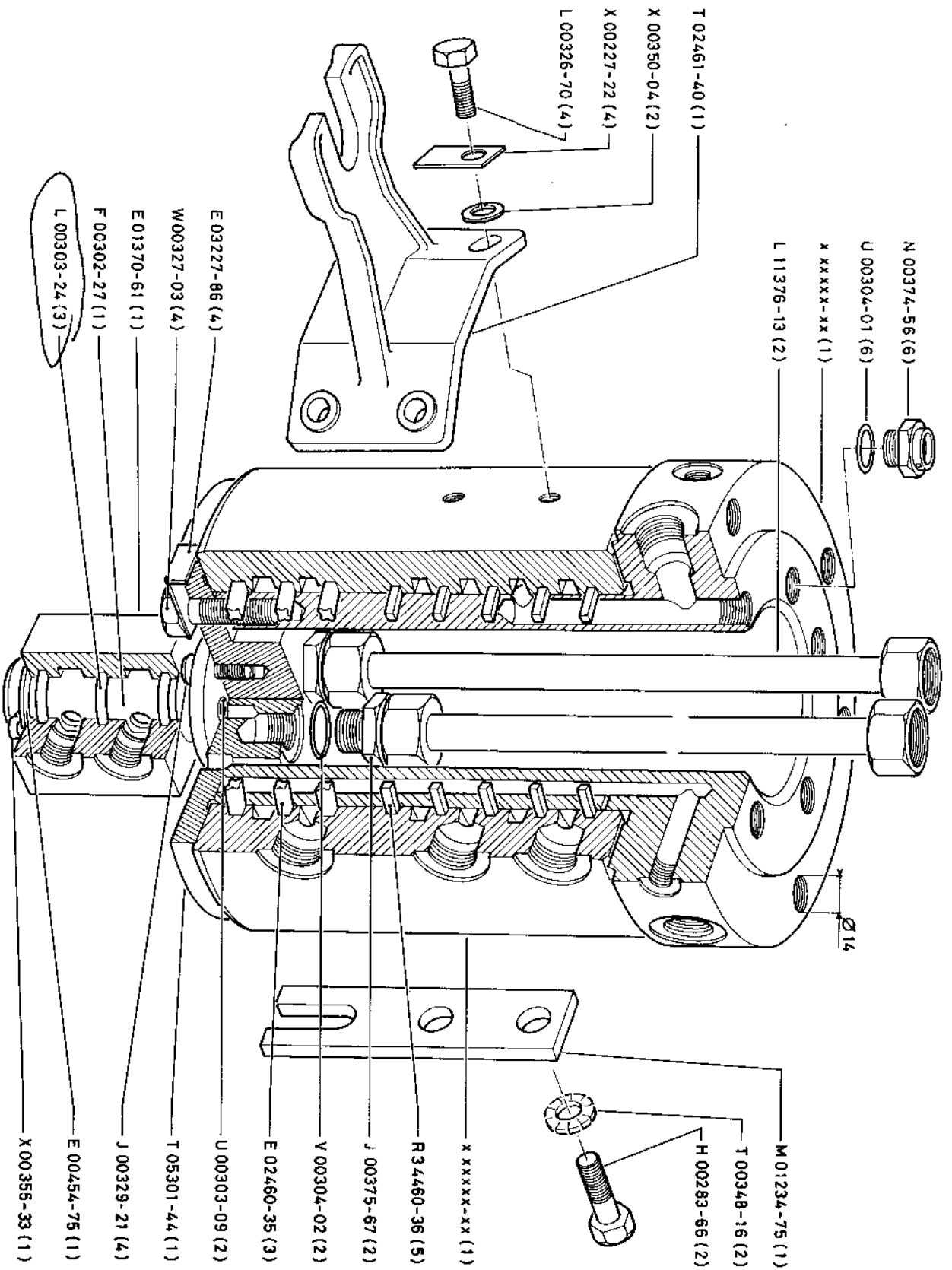
RESERVOIR D'HUILE
 OIL RESERVOIR
 ÖLBEHALTER
 DEPOSITO DE ACEITE

X 00 40248 (1)

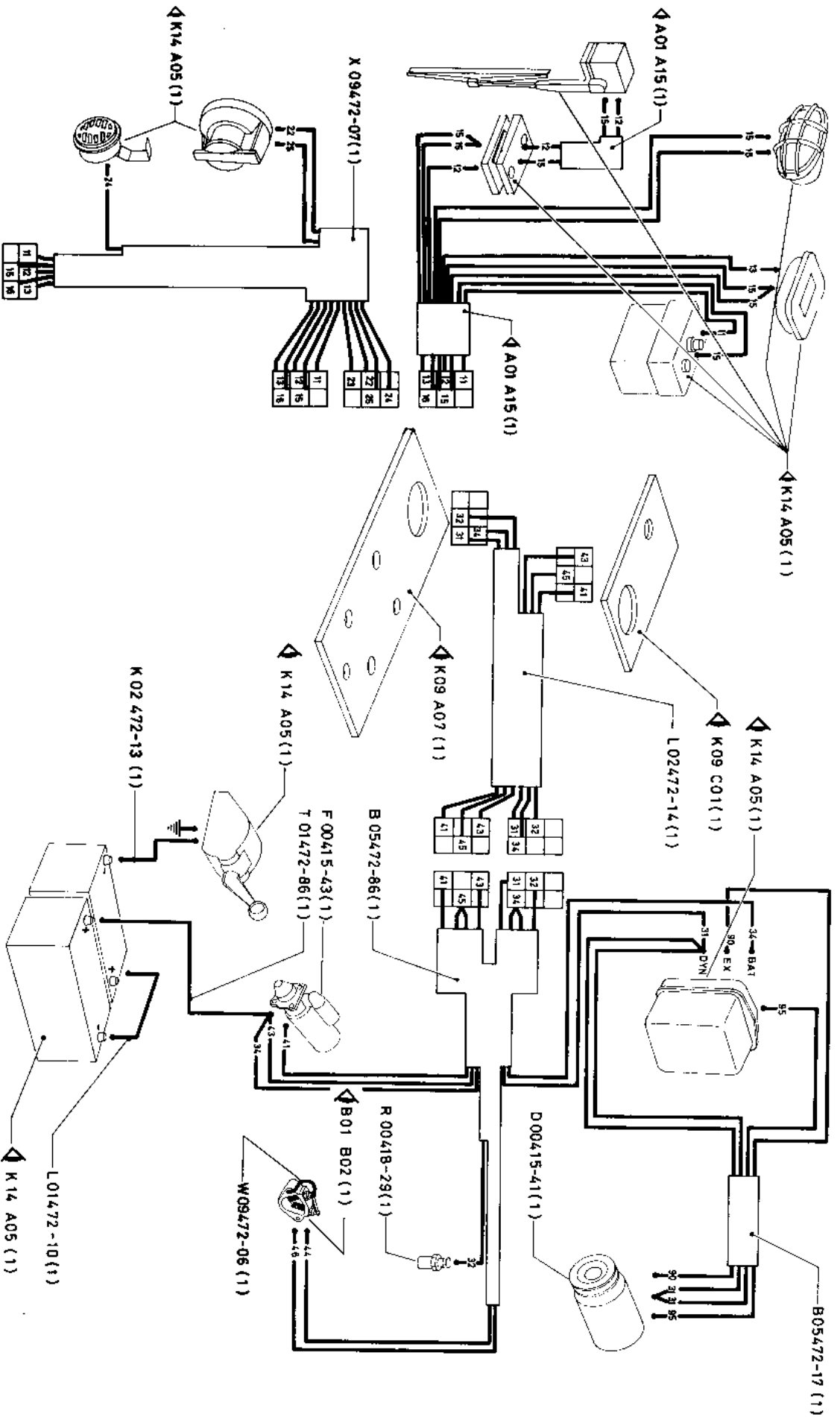




HT02 A06 1
 11-73
 PIVOT A JOINT TOURNANT
 GRAB TURNING JOINT
 AUFHAENGUNG MIT DREHGELENK
 JUNTA GIRATORIA BIVALVA
 X XX XXX-XX



Ø14



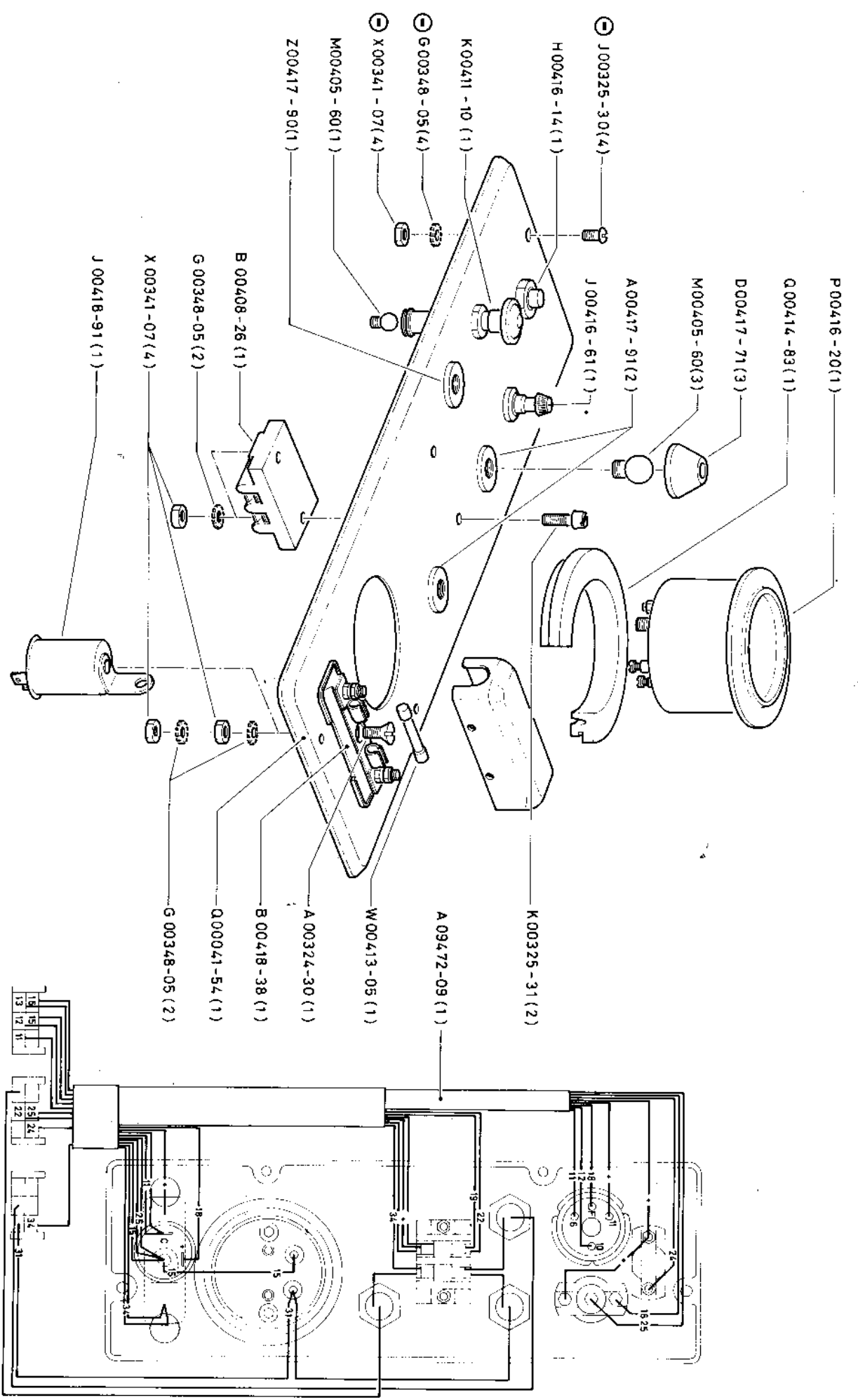
X XX XXX-XX

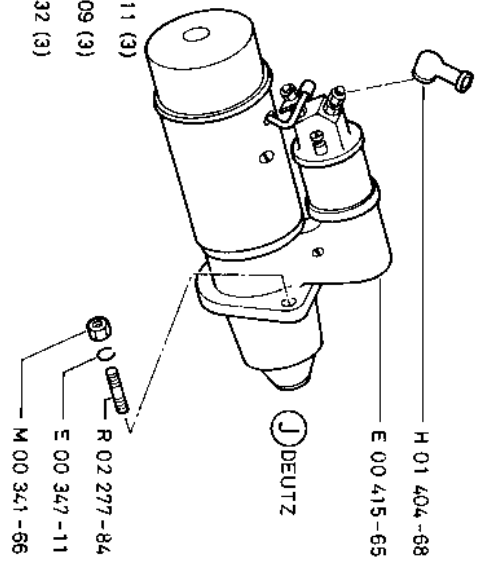
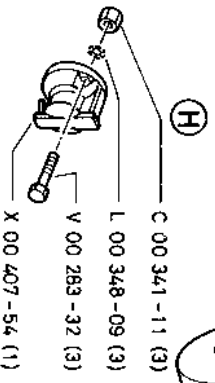
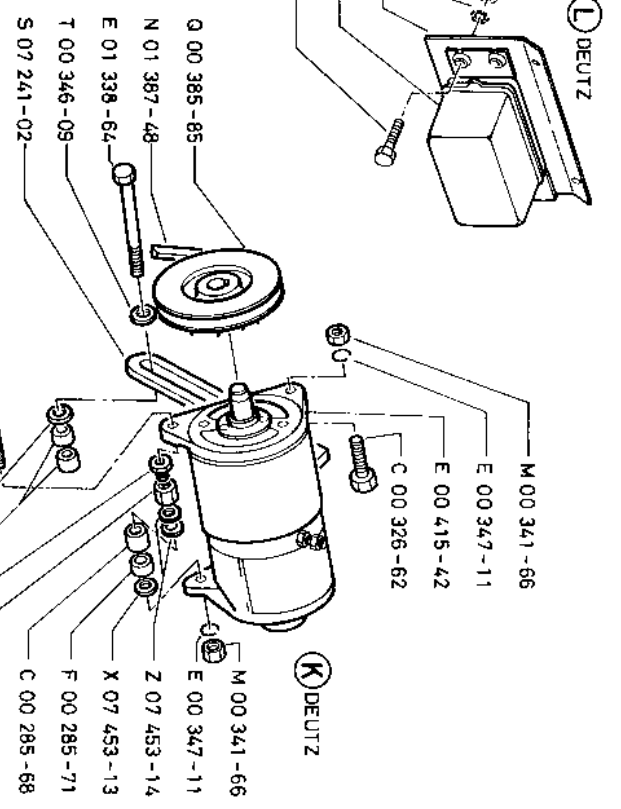
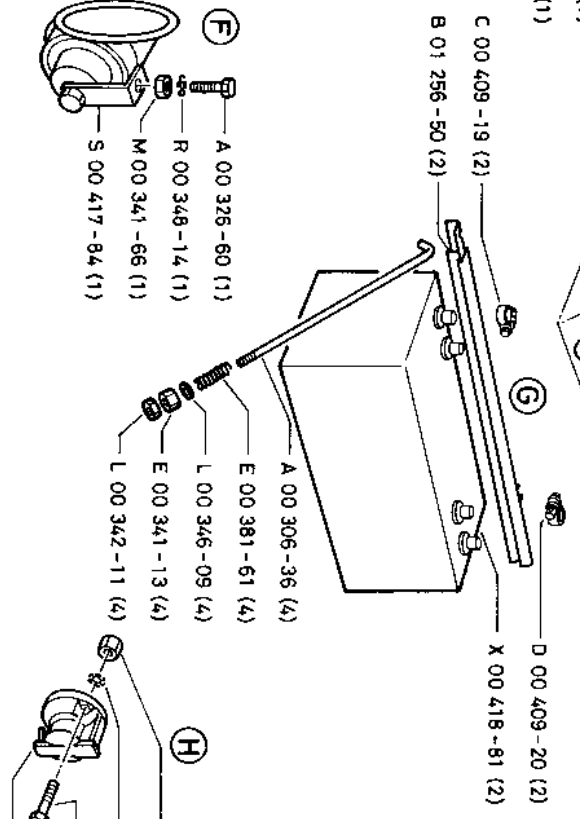
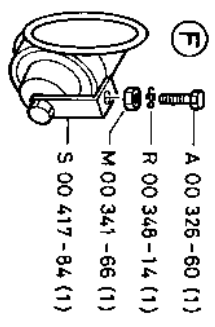
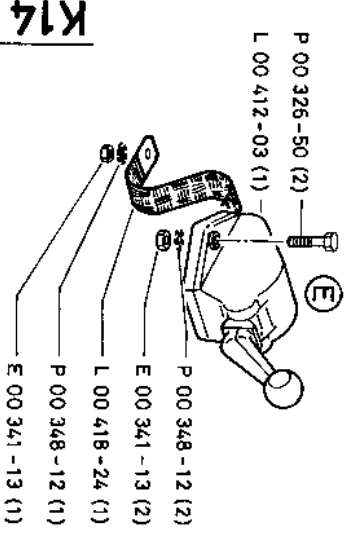
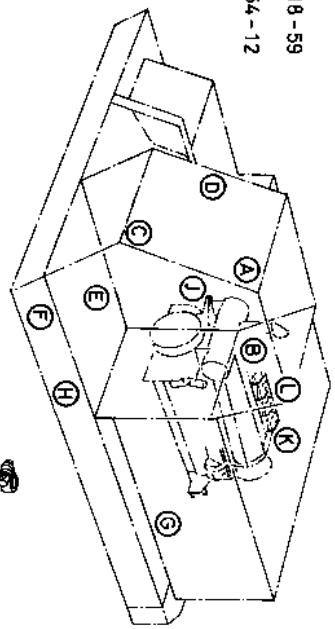
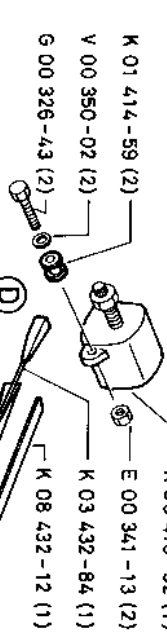
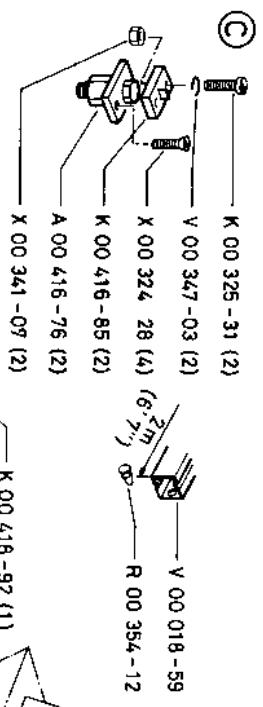
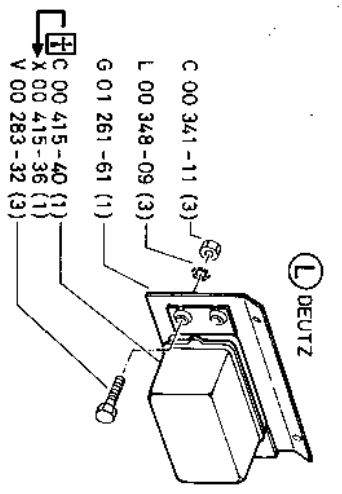
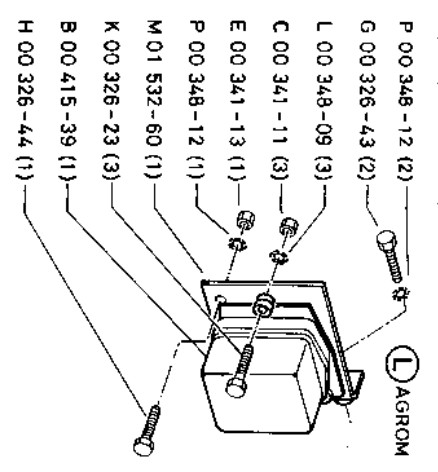
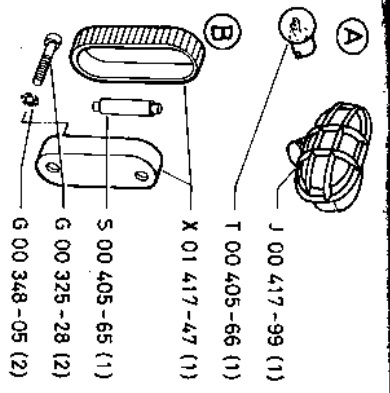
CIRCUIT ELECTRIQUE (TOURELLE)
 ELECTRICAL CIRCUIT (UPPERSTRUCTURE)
 ELEKTRISCHER UMFLAU (OBERTRAGEN)
 CIRCUITO ELECTRICO (TORRETA)

AGROM

M01532-83

TABEAU DE BORD
CONTROL PANEL
ARMATURENBRETT
CUADRO DE MANDO

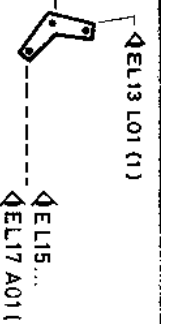
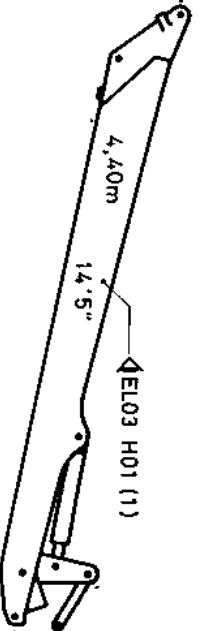
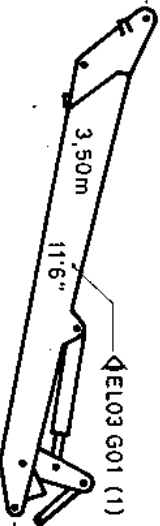
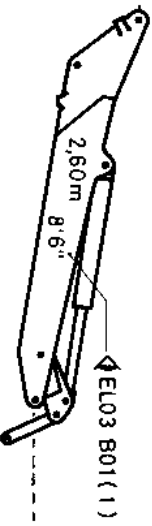
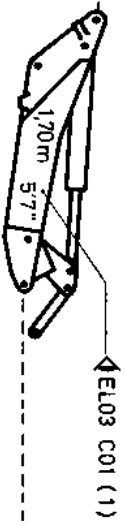
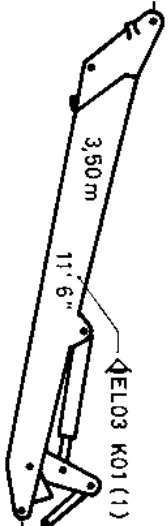
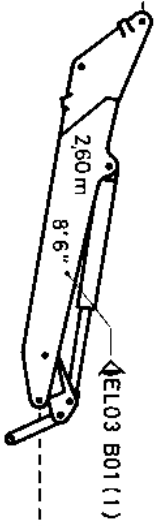
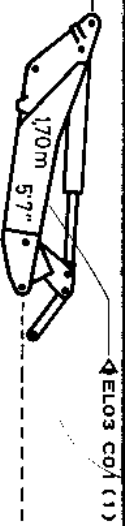
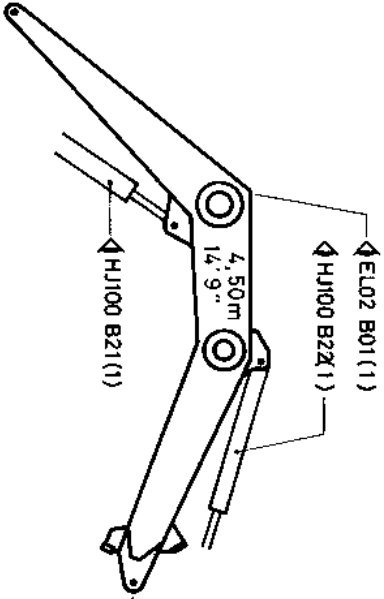
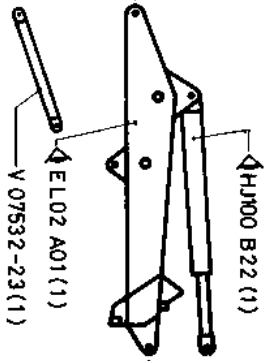
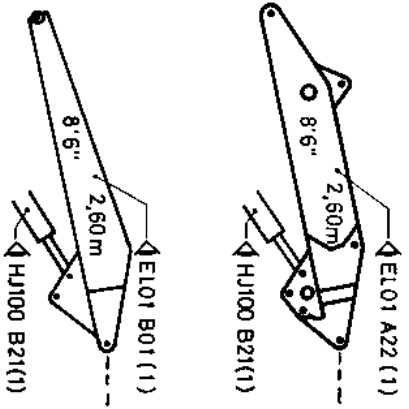
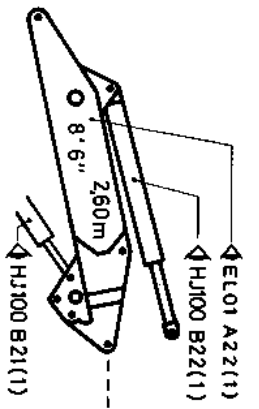




K14 A05.2

12-74

ACCESSOIRES ELECTRIQUES (TOURNELLE)
 UPPERSTRUCTURE ELECTRICAL FITTINGS
 ELEKTRISCHER ZUBEHOER OBERWAGEN
 ACCESORIOS ELECTRICOS (TORRETA)



EL13...

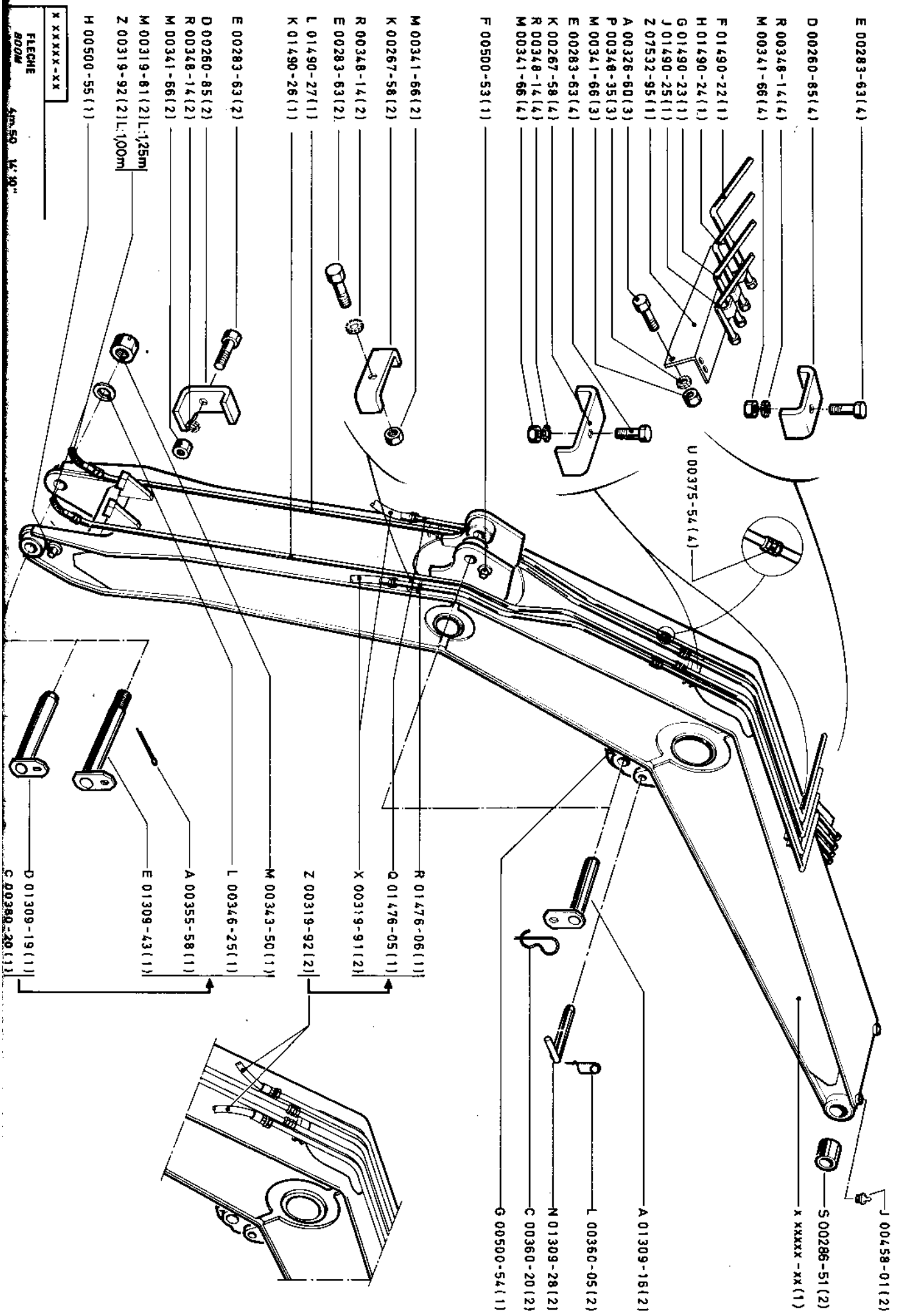
EL11 C...

EL00 B01.0

1-76

X XX XXX-XX

MONTAGE RETRO
 BACKHOE MOUNTING
 AUFBAU RETRO
 MONTAJE RETRO



E 00283-63(4)

D 00260-65(4)

R 00348-14(4)

M 00341-66(4)

F 01490-22(1)

H 01490-24(1)

G 01490-23(1)

J 01490-25(1)

Z 07532-95(1)

A 00326-80(3)

P 00348-35(3)

M 00341-66(3)

E 00283-63(4)

K 00267-58(4)

R 00348-14(4)

M 00341-66(4)

F 00500-53(1)

J 00458-01(2)

S 00286-51(2)

X XXXXX-XX(1)

A 01309-16(2)

L 00360-05(2)

N 01309-28(2)

C 00360-20(2)

G 00500-54(1)

M 00341-66(2)

K 00267-58(2)

R 00348-14(2)

E 00283-63(2)

L 01490-27(1)

K 01490-26(1)

R 01476-06(1)

Q 01476-05(1)

X 00319-91(2)

Z 00319-92(2)

M 00343-50(1)

L 00346-25(1)

A 00355-58(1)

E 01309-43(1)

H 00500-55(1)

M 00319-81(2)

Z 00319-92(2)

X XXXXX-XX

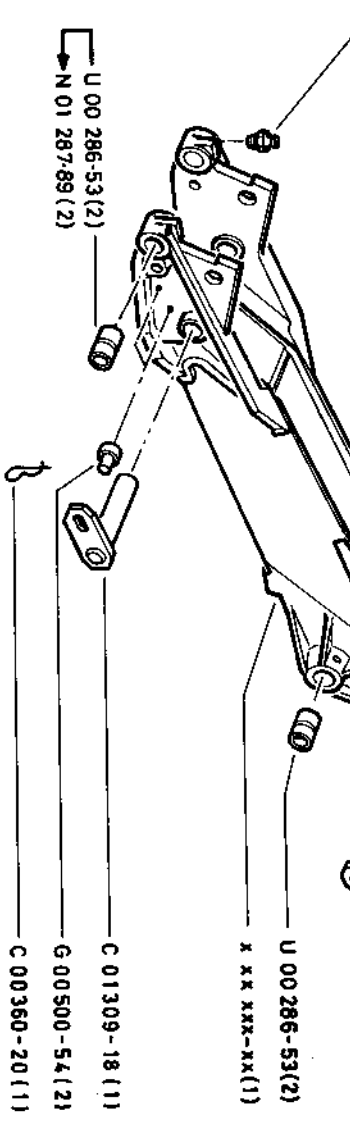
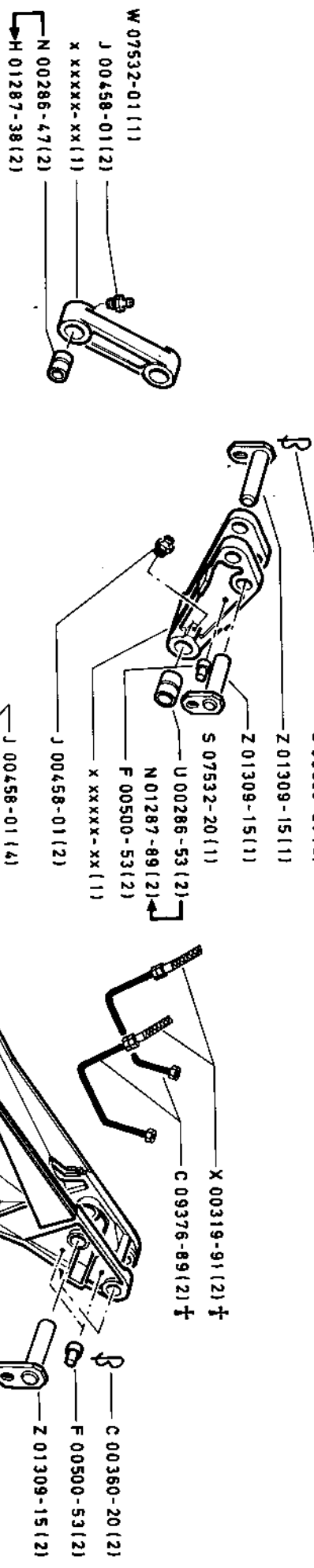
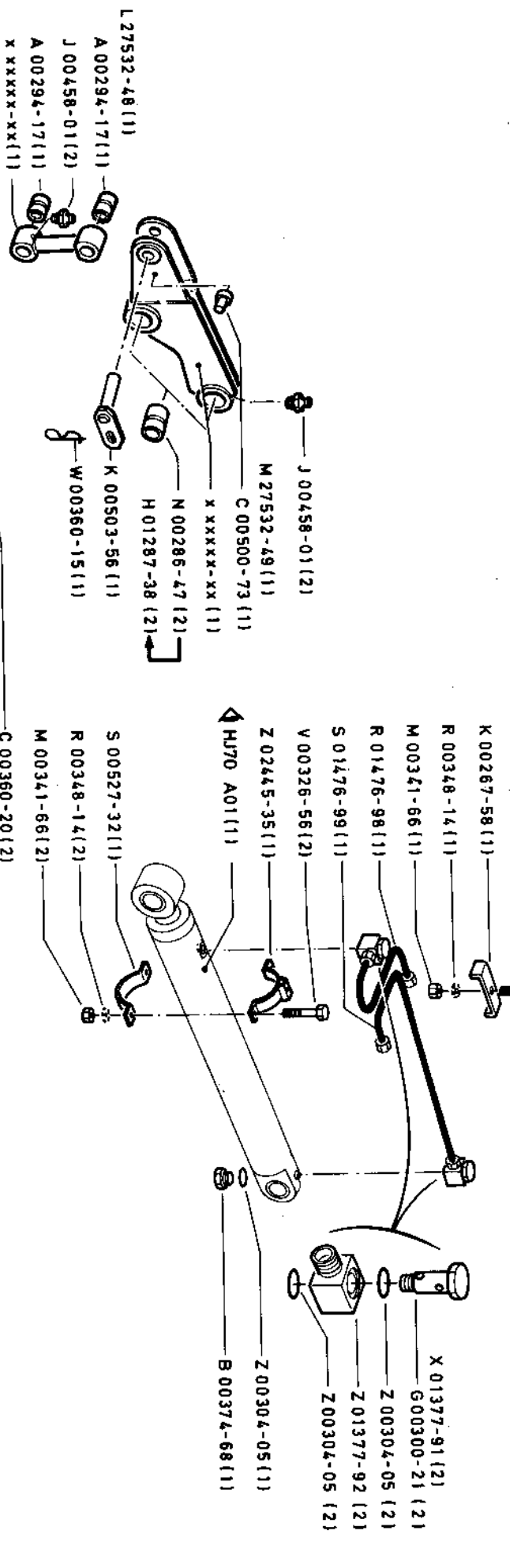
FLECHIE
ARM

4mm SQ. Lx 30"

D 01309-19(1)

C 00380-20(1)

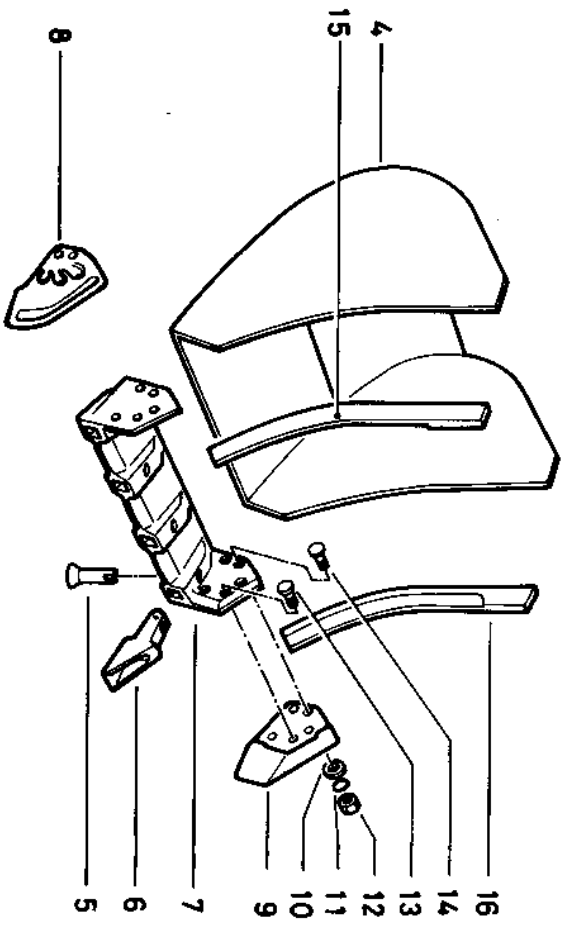
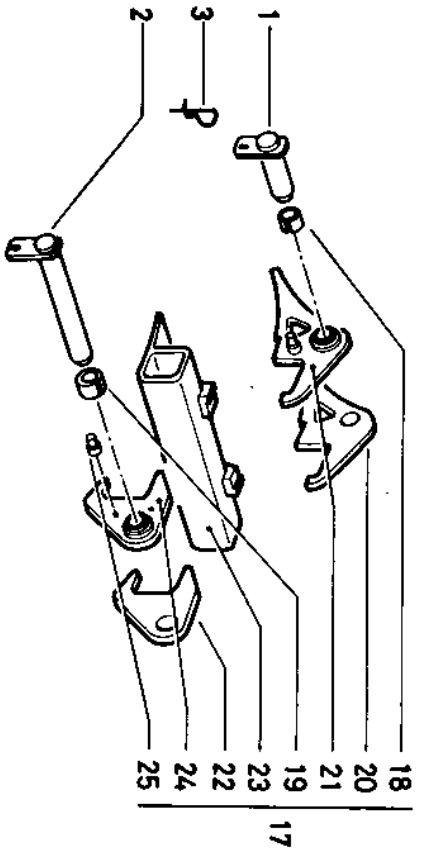
FLO2 B0



FI03 C010

X XXX XX-XX	
BALANCIER RETRO	1,70 m
BACKHOE STICK	
PENDELARM m. TIEFLOEFFEL	5' 7"
BALANCIER RETRO	

1-74



	0.95m 400l 37" 1/2 cu.yd.	0.95m 550l 37" 3/4 cu.yd.	1.15m 700l 45" 7/8 cu.yd.	1.15m 900l 45" 11/8 cu.yd.
1	D 00 503-96 (1)	D 00 503-96 (1)	D 00 503-96 (1)	D 00 503-96 (1)
2	E 00 503-97 (1)	E 00 503-97 (1)	E 00 503-97 (1)	E 00 503-97 (1)
3	M 07 309-97 (1)	M 07 309-97 (1)	M 07 309-97 (1)	M 07 309-97 (1)
4	C 00 360-20 (2)	C 00 360-20 (2)	C 00 360-20 (2)	C 00 360-20 (2)
5	X XX XXX-XX (1)	X XX XXX-XX (1)	X XX XXX-XX (1)	X XX XXX-XX (1)
6	U 00 354-38 (4)	U 00 354-38 (4)	U 00 354-38 (5)	U 00 354-38 (5)
7	N 00 042-90 (4)	N 00 042-90 (4)	N 00 042-90 (5)	N 00 042-90 (5)
8	P 01 042-72 (4)	P 01 042-72 (4)	P 01 042-72 (5)	P 01 042-72 (5)
9	Q 01 040-89 (1)	Q 01 040-89 (1)	F 02 040-15 (1)	F 02 040-15 (1)
10	S 01 040-91 (1)	S 01 040-91 (1)	S 01 040-91 (1)	S 01 040-91 (1)
11	R 01 040-90 (1)	R 01 040-90 (1)	R 01 040-90 (1)	R 01 040-90 (1)
12	X 00 350-50 (10)	X 00 350-50 (10)	X 00 350-50 (10)	X 00 350-50 (10)
13	L 00 347-17 (10)	L 00 347-17 (10)	L 00 347-17 (10)	L 00 347-17 (10)
14	S 00 341-71 (10)	S 00 341-71 (10)	S 00 341-71 (10)	S 00 341-71 (10)
15	A 00 324-99 (6)	A 00 324-99 (6)	A 00 324-99 (6)	A 00 324-99 (6)
16	Q 00 324-90 (4)	Q 00 324-90 (4)	Q 00 324-90 (4)	Q 00 324-90 (4)
17	P 01 040-88 (1)	G 02 040-16 (1)	G 02 040-16 (1)	W 03 266-66 (1)
18	N 01 040-87 (1)	H 02 040-17 (1)	H 02 040-17 (1)	V 03 266-65 (1)
19	M 07 532-61 (1)	M 07 532-61 (1)	E 07 532-77 (1)	P 37 532-45 (1)
20	M 00 359-60 (2)	M 00 359-60 (2)	M 00 359-60 (2)	M 00 359-60 (2)
21	N 00 359-61 (2)	N 00 359-61 (2)	N 00 359-61 (2)	N 00 359-61 (2)
22	Z 03 271-05 (1)	Z 03 271-05 (1)	Z 03 271-05 (1)	H 07 271-75 (1)
23	A 03 271-06 (1)	A 03 271-06 (1)	A 03 271-06 (1)	J 07 271-76 (1)
24	B 03 271-07 (1)	B 03 271-07 (1)	B 03 271-07 (1)	B 03 271-07 (1)
25	X XX XXX-XX (1)	X XX XXX-XX (1)	X XX XXX-XX (1)	X XX XXX-XX (1)
	C 03 271-08 (1)	C 03 271-08 (1)	C 03 271-08 (1)	C 03 271-08 (1)
	G 00 500-54 (2)	G 00 500-54 (2)	G 00 500-54 (2)	G 00 500-54 (2)

FL11 B01.0

X X X X X X - X X
 800ET RETRO
 BACKHOE BUCKET
 TIERLOEFFEL
 GUCHARA RETRO